



Australian Government
**Department of Agriculture,
Water and the Environment**

EXDOC

Exporter Interface System Specification

Version 9.9

Issue date: 06 Dec 2023



Table of Contents

1	INTRODUCTION	4
1.1	CONDITIONS	5
1.2	REGISTRATION	6
2	SYSTEM OVERVIEW.....	7
2.1	CERTIFICATE REQUEST FUNCTION.....	7
2.2	RFP MESSAGE FLOW	8
2.3	CERTIFICATE MESSAGE FLOW.....	12
2.4	EXPORTER SYSTEM FUNCTIONS.....	13
3	DATA EXCHANGE STRUCTURE	14
3.1	FILE STRUCTURE.....	14
3.2	INTERCHANGE STRUCTURE	17
3.3	MESSAGE STRUCTURE.....	18
4	MESSAGE ENVELOPE PROCESSING	19
4.1	EDIFACT SYNTAX	19
4.2	UNA – SERVICE STRING ADVICE	19
4.3	UNB – INTERCHANGE HEADER.....	20
4.4	UNH – MESSAGE HEADER.....	24
4.5	UNT – MESSAGE TRAILER	25
4.6	UNZ – INTERCHANGE TRAILER.....	26
5	MESSAGE CONTENT PROCESSING.....	27
5.1	ORDER RFP.....	28
5.2	LODGE RFP	48
5.3	AMEND RFP.....	99
5.4	MINI AMEND RFP	103
5.5	DELETE RFP	105
5.6	RFP ACKNOWLEDGMENT	107
5.7	REISSUE RFP	113
5.8	FORWARD RFP ADVICE	154
5.9	COPY RFP REQUEST	155
5.10	COPY RFP ADVICE.....	157
5.11	TRANSFER RFP	158
5.12	TRANSFER RFP ADVICE	160
5.13	ACCEPT RFP	161
5.14	ACCEPT RFP ADVICE	163
5.15	CERTIFICATE REQUEST.....	166
5.16	CERTIFICATE ACKNOWLEDGMENT.....	176
5.17	REMOTE PRINT ACKNOWLEDGMENT	180
6	NOTICES.....	181
APPENDIX A: SANCRT ADAPTATION & DATA ITEM MAPPING		182
	EXDOC (RFP) ADAPTATION OF SANCRT	183
	RFP DATA ITEM MAPPING.....	188
	EXDOC (CERTIFICATE REQUEST) ADAPTATION OF SANCRT	214
	CERTIFICATE REQUEST DATA ITEM MAPPING	218
APPENDIX B: MESSAGE/SEGMENT SUMMARY		224
	RFP MESSAGE/SEGMENT SUMMARY.....	224
	CERTIFICATE MESSAGE/SEGMENT SUMMARY	230
APPENDIX C: CHANGE PERMISSIONS MATRIX		232

UPDATING RFP DETAILS.....	232
UPDATING CERTIFICATE REQUEST DETAILS.....	242
APPENDIX D: DATA ELEMENT DIRECTORY	243
APPENDIX E: CODE SETS	251
E1 PRINT REGION.....	251
E2 AUSTRALIA, TERRITORIES AND STATE POSSESSIONS.....	251
E3 AUSTRALIAN PORT.....	251
E4 COMMODITY TYPE.....	251
E5 COUNTRY.....	251
E6 CURRENCY.....	251
E7 CUT CODE.....	252
E8 DECLARATION ESTIMATE INDICATOR.....	252
E9 EUROPEAN ECONOMIC COMMUNITY.....	252
E10 EXDOC PRODUCT CODE.....	252
E11 CERTIFICATE PRINT INDICATOR.....	253
E12 IMPERIAL WEIGHT UNIT (AVOIRDUPOIS).....	253
E13 LOCATION QUALIFIER.....	253
E14 MEASUREMENT UNIT.....	253
E15 METRIC WEIGHT UNIT.....	253
E16 PACK TYPE.....	253
E17 PACKAGE TYPE.....	253
E18 PERMIT TYPE.....	253
E19 PRESERVATION TYPE.....	253
E20 PROCESS TYPE.....	253
E21 PRODUCT TYPE.....	254
E22 QUALITY QUALIFIER.....	254
E23 RFP COMPLIANCE STATUS.....	254
E24 RFP REASON.....	255
E25 SUPPLEMENTARY CODE.....	255
E26 TRANSPORT MODE.....	255
E27 UNITED STATES AND TERRITORIES.....	255
E28 CERTIFICATE REASON.....	255
E29 REGION.....	255
E30 TREATMENT CODES.....	255
E31 CERTIFICATE REQUEST STATUS.....	255
E32 PRODUCT USE INDICATOR CODES.....	255
E33 NATURE OF COMMODITY.....	255
E34 TREATMENT TYPE.....	255
E35 STATE CODE.....	256
E36 CUSTOMS WEIGHT UNIT.....	256
E37 PRODUCT/AHECC/CUT CODE.....	256
E38 DOMINANT AND ADDITIONAL PRODUCTS CODE.....	256
E39 APPROVED CERTIFIER.....	256
E40 CN CODE.....	256
E41 TREATMENT ACTIVE INGREDIENT.....	256
E42 TREATMENT CONCENTRATION UNIT.....	256
E43 PRODUCT CONDITION.....	256
E44 PRODUCT PART.....	256
APPENDIX F: SAMPLE MESSAGES	257
SAMPLE MEAT MESSAGES.....	258
SAMPLE DAIRY MESSAGES.....	260
SAMPLE FISH MESSAGES.....	262
SAMPLE GRAINS MESSAGES.....	264
SAMPLE WOOL MESSAGES.....	266
SAMPLE CERTIFICATE REQUEST MESSAGES.....	267

1 Introduction

This specification describes the characteristics of the interface between an external exporter computer system (herein after referred to as 'Exporter System') and the Department of Agriculture and Water Resources (herein after referred to as 'the department') EXDOC system. The specification defines the structures of data that can be electronically exchanged between an Exporter System and EXDOC, the logical functions associated with the data exchange and the validation rules that are applied to the data in the EXDOC system. The scope of the specification is limited to the application level interface between the systems; local Exporter System characteristics such as operating system, hardware platform and user functionality are not prescribed and therefore not specified.

The physical transport and routing of messages will be via EDI Carriers, which essentially provide an asynchronous store and forward capability between the two systems. The selection of a Carrier will be a matter of choice for the exporter, the only restriction being that the Carrier can interface with the department. The method of Exporter System connection to the carrier is a matter for resolution between the supplier of the Exporter System and the Carrier (and is independent of the method of EXDOC connection to the Carrier). Both are independent of this specification, except where Carrier message addressing requirements affect the message interchange structure.

The following diagram illustrates the scope of this specification.

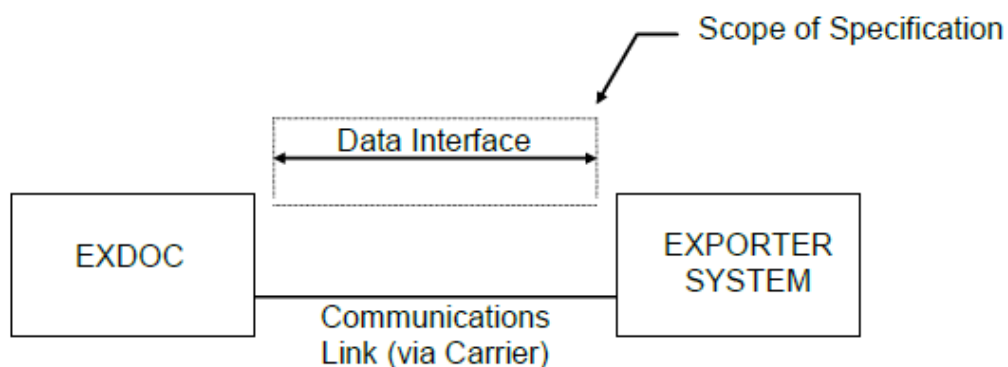


Figure 1 - Specification Scope

1.1 Conditions

This specification is made available subject to the following conditions:

1. The specification is made available, free of charge, by the department to users, potential users and software suppliers who, in the opinion of the department, have a requirement for the information contained herein. This document, or any copies made, is not to be passed on to others or sold.
2. Every effort has been made to ensure that the information contained herein is correct at the time of publishing and users who register with the department will receive updates to the specification as they occur. The Commonwealth shall not however be responsible for any errors, defects or omissions contained herein and expressly disclaim all and any liability in respect to the use of the information herein.
3. This specification outlines approval procedures for prospective developers of Exporter System software to follow. The Commonwealth will not accept any liability for damages or inconvenience incurred by users who fail to follow the recommended procedures.

1.2 Registration

Exporter Systems developed by third parties must be registered with the department before the Exporter System will be permitted to exchange messages with EXDOC. Third Party Software Providers are responsible for the registration and compliance of their software with the EXDOC Exporter Interface Specification.

The department does not verify or validate third party Exporter Systems that interface with EXDOC.

Software Providers seeking to register third party software with the department will need to:

1. **Notification:** A prospective Software Provider will need to obtain the current EXDOC Exporter Interface Specification and notify the department of their intent to develop a software product to interface with EXDOC. The specification is available on the department's website <https://www.agriculture.gov.au/export/certification/exdoc/interface-specs>.
 - a. The Software Provider should:
 - i. read and understand the department's [Registered Software Disclaimer for products that interact with the Export Documentation \(EXDOC\) system](#);
 - ii. download the EXDOC Exporter Interface Specification from the department's website <https://www.agriculture.gov.au/export/certification/exdoc/interface-specs>;
 - iii. notify the department via e-mail exdoc.slo@awe.gov.au of their intent to develop a software product for a specified commodity.
 - b. The department will acknowledge the Software Provider notification and provide them access to the EXDOC Test environment. Software Providers who do not register the Software Product within 12 months may be removed from the EXDOC Test environment.
2. **Registration.** The Software Provider is required to submit an *Application for Registration of the EXDOC Exporter Interface Software* to the department. This includes a declaration by the Software Provider that the software complies with the relevant EXDOC Exporter Interface Specification.
3. The Software Provider should complete, sign and submit the Application for Registration of the EXDOC Exporter Interface Software Product as a PDF file to the department via e-mail exdoc.slo@awe.gov.au.
4. Software Providers are not required to re-register software, however, they are responsible for compliance to the EXDOC Exporter Interface Specification.

2 System Overview

The EXDOC system provides for Electronic Data Interchange (EDI) and computer processing of documentation required by the department when issuing Export Permits and Certificates for prescribed primary produce products. The transfer of messages between the department's EXDOC system and Exporter Systems adheres to the rules for Electronic Data Interchange for Administration, Commerce and Transport (EDIFACT).

The central documents involved are the Request for Permit (RFP), provided by the exporter, and the Certificate, provided by the department. RFPs are processed by EXDOC, and if valid are allocated an Export Permit Number (EPN). The end result of such interchanges will normally be one or more Certificates, which can be produced by EXDOC in paper or electronic form. Paper Certificates are produced at the department's regional offices, while the electronic versions, if required, are transmitted directly to the relevant destination country government authority.

EXDOC will also support remote printing of Certificates to exporter designated sites. Certificate details are transmitted electronically to the exporter from EXDOC, whereby the exporter software will be required to forward the print file to an appropriately configured printer. Exporters wishing to use the EXDOC remote printing facility must be registered as such with EXDOC.

The SANCRT message (Government Regulatory Message) is used for the electronic transfer of Request for Permit.

2.1 Certificate Request Function

EXDOC provides a Certificate Request Function that enables an exporter to request a certificate and its appropriate endorsements, link the certificate with a number of RFPs and then send the request to EXDOC to produce the certificate. Once all certificate validation rules have been successfully passed the certificate is assembled.

EXDOC will track the "balance" of any RFP line item.

Modifications have been made to the SANCRT message structure to enable support for the new functionality. In short, the existing message structure is retained but with an additional group to support the storage of multiple RFP line information per certificate request line (See Appendix A – SANCRT ADAPTATION for a depiction of additions to the message structure).

The following rules will apply to the Certificate Request Function:

- RFPs must belong to the same exporter;
- A request may have multiple RFPs;
- RFPs must be at HCRD status;
- RFPs must be for the same country;
- Only RFPs with the same Commodity Type will be accepted for a particular Certificate;
- Only one certificate will be produced for a Consignee;
- If only part of the RFP's line item quantity is used then the remaining balance is adjusted to reflect this.
- RFPs must be horticulture or grain commodity types only.

2.2 RFP Message Flow

An exporter usually submits an RFP once an order for product has been received. The path an RFP then follows in EXDOC depends on what information is known about the order at a given point in time, and when Certificates are required. The RFP status reflects where the RFP is on that path, and can change a number of times in the RFP life cycle.

Initial lodgements can be submitted with an RFP Reason of 16 (Order) or 13 (Lodge). Order RFPs are used when an order has been made on an exporter but full permit details of the export are not yet known. EXDOC performs only limited validation on data in an Order RFP, and therefore this form of the RFP enables the exporter community to exchange order information through EXDOC without risk of rejection.

Formal Lodge RFPs are used when it is intended that an RFP undergoes the full inspection and authorisation process. EXDOC examines the data that is submitted and determines what status should be assigned to the RFP (e.g. INIT, FINL, INSP, HCRD or COMP). See the EXDOC Code Sets for a description of the valid RFP status and related codes.

Depending on status, exporters can submit further messages to update data in the RFP using the appropriate RFP Reason Codes. To minimise messaging costs, EXDOC supports two types of amendment transactions: a full amendment transaction which includes all amendable fields in an RFP, and a mini amendment transaction which includes only those fields likely to be amended following authorisation.

An RFP is not considered to be successfully lodged or amended until it is free of errors related to mandatory lodgement data. If a message has errors, it is rejected and an acknowledgment is sent back to the exporter listing the errors detected. If the message is error free, EXDOC will update its database and send an acknowledgment (with the newly allocated RFP number if an initial lodgement).

When RFPs from non-AQA establishments reach a status ready for authorisation, they are queued for Inspector action. Inspectors in the field periodically interrogate EXDOC for RFPs that require their attention, and following physical inspection of the product, update the RFPs on EXDOC with results. A replacement copy of the RFP is then sent to the exporter reflecting inspection results. AQA establishments on the other hand are responsible for the authorisation of their own product, and may submit authorisation details directly in RFPs.

The department or ACS may make amendments to RFPs on behalf of the exporter and, as is the case with Inspector amendments, a replacement copy is sent to the exporter whenever this occurs.

An export can often involve a number of parties, for example, in the case of meat, a slaughtering establishment, a packing establishment, the exporter, or agents acting on behalf of any or all of these. Typically, each party has partial input to an RFP, and will wish to pass the RFP on to the next party in the export cycle when their input is finalised. EXDOC, which regards all parties acting on behalf of an exporter as agents for that exporter, provides the *forwarding* mechanism for this purpose. This essentially enables each exporter agent to pass the active copy of an RFP to any other agent registered to act on behalf of that exporter. An RFP can be forwarded any number of times between agents before it is finalised. (The term 'finalised' is defined in the description of RFP Compliance Codes at Appendix E.)

In addition, EXDOC allows one exporter to *transfer* an RFP to another exporter. In effect, this changes ownership of product described on the RFP. It is a departmental requirement that Certificates are produced in the name of the declaring exporter (owner of product at

the time of certification), and the transfer mechanism caters for situations where product is on-sold before Certificates are produced and the RFP is finalised.

The possible transaction flows that can occur are illustrated in Figure 1.

The ability to incrementally add to data means an RFP may undergo a number of status changes, in particular with respect to status of inspection and production of Certificates. The possible RFP statuses are illustrated in Figure 2.

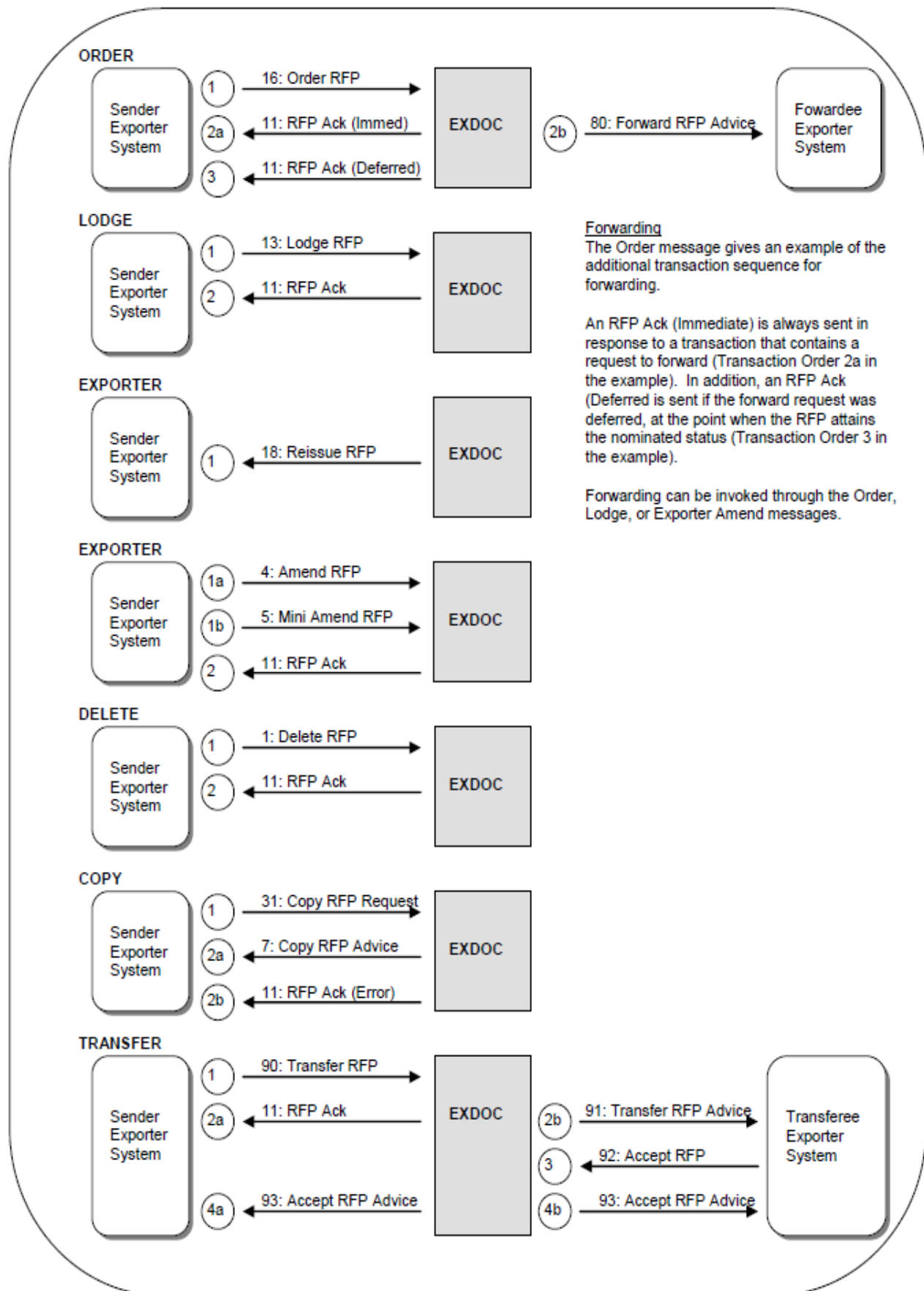


Figure 2 - Request For Permit Message Flow

Request for Permit State Transition Diagram

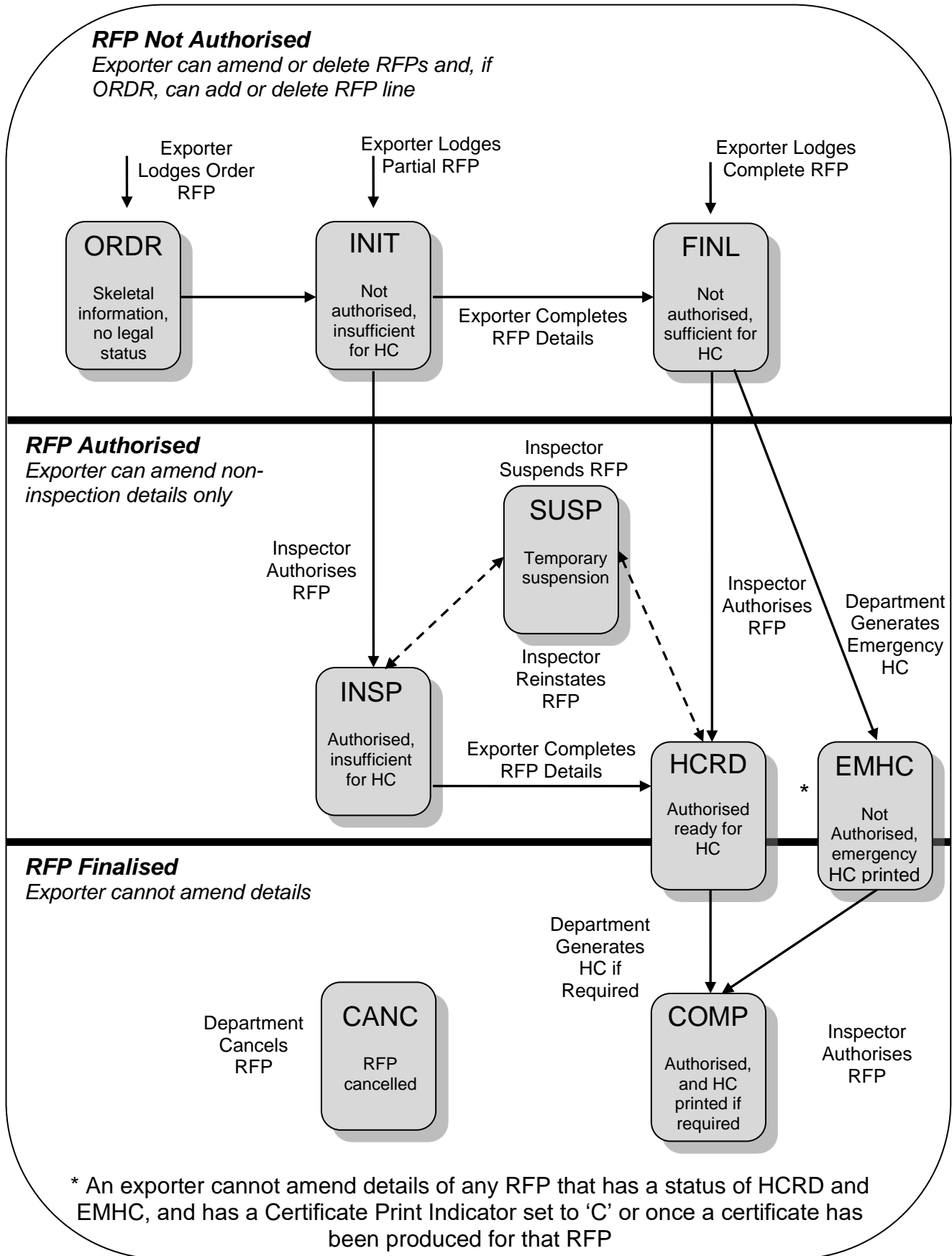


Figure 3 - Request for Permit State Transition Diagram

2.3 Certificate Message Flow

An exporter submits a Certificate Request (Reason 9) message once details for a consignment are known and any relevant RFPs have been lodged (must be at HCRD). The request will be validated against data stored in the EXDOC database to ensure those product types and quantities specified are catered for by the RFPs supplied in the message.

If the message contains any errors or warnings these will be returned to the exporter via a Certificate Acknowledgment (Reason 98) message. A Certificate Request will be allocated a certificate number in the acknowledgment message. Exporters cannot update an existing Certificate Request via EXDOC. Once a Certificate Request has been acknowledged the certificate has been produced and the process is complete. If a Certificate Request is rejected then the exporter must make appropriate amendments by submitting a new certificate request message.

A Certificate Request that has been successfully validated will be printed according to the print indicator field specified in the Certificate Request message. The Certificate Print Indicator must be set to 'C' when requesting certificates via the Certificate Request Function. The required location can also be specified in the Certificate Request message and may either be a departmental regional office or an exporter remote location.

The possible transaction flows that can occur are illustrated in Figure 4.

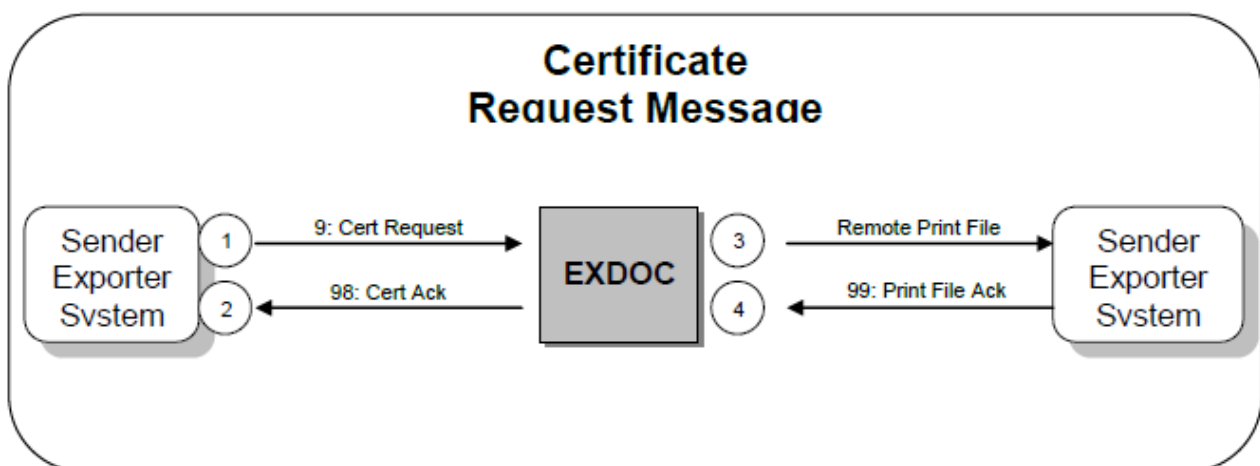


Figure 4 - Certificate Request Message Flow

2.4 Exporter System Functions

The functions to be performed by the Exporter System and described in this specification are:

- Validation of incoming messages to ensure they conform to the EDIFACT standard, and construction of outgoing messages according to the EDIFACT standard.
- The display of the following message prior to transmission of data to the departmental EXDOC system:

WARNING. You are giving information to a Commonwealth entity. Giving false or misleading information to a Commonwealth entity is a serious offence.

There is a risk that information sent to or from the departmental email account (edi.prod@agriculture.gov.au) may be viewed, intercepted, corrupted or modified by, or otherwise disclosed to, third parties. The Commonwealth cannot guarantee or otherwise warrant the security or integrity of any information transmitted in this manner and is not liable in connection with the transmission of any such information (including as a result of negligence).

- Preparation and transmission of RFPs to the EXDOC system, with support for the transaction types which have been defined to submit, amend, delete, or transfer RFPs.
- Acceptance and recording of RFP updates from the EXDOC system.
- Acceptance of error, warning and information messages relating to RFPs from the EXDOC system.
- Preparation and transmission of Certificate Requests to the EXDOC system and support for transaction types that have been defined to submit Certificate details.
- Acceptance and processing of Certificate print files from the EXDOC system.
- Preparation and transmission of Remote Print file Acknowledgments to the EXDOC system.

3 Data Exchange Structure

3.1 File Structure

The data exchanged between EXDOC and the Carrier is organised in a hierarchical manner within ASCII data files. Each file will contain one EDIFACT interchange, where the interchange can contain one or more messages.

EXDOC supports one transport mechanism for the transmission of EDIFACT interchanges: standard internet email without encryption or repudiation, with a single file attachment. All files comprise a message header part and a message body part. The header part should hold internet email address information. In this agreement, the email address is the only address type used for message routing, and replaces the EDIFACT addressing mechanism located inside each EDIFACT interchange. The body part holds the EDIFACT interchange.

The department does not impose any physical restrictions on files exchanged between EXDOC and the Carrier, however it is recommended that these files conform to the following:

Maximum file length (messages to EXDOC): 1 megabyte
Maximum number of messages per interchange: 200

If a software deployment sends messages to both Test and Prod EXDOC environments, please ensure that:

- Messages to the Test system are flagged in their UNB 0035 data element, and are sent to the Test email address (edi.test@agriculture.gov.au).
- Acknowledgement messages are sent to the correct EXDOC environment (i.e. Test messages are not acknowledged in Production and vice versa).
- Messages are not sent back to EXDOC through mail forwarding.

3.1.1 File Compression

EXDOC supports the optional compression of the body part of the message. Where compression is used, the body part of both in and outbound messages must be prefixed with a 3 character code to identify the type of compression used. The single valid code for compression in this version of the specification is 'CPK', indicating the file is compressed using PKZIP (Version 2.x or later). The structure of messages with and without compression is indicated in Figure 5 below.

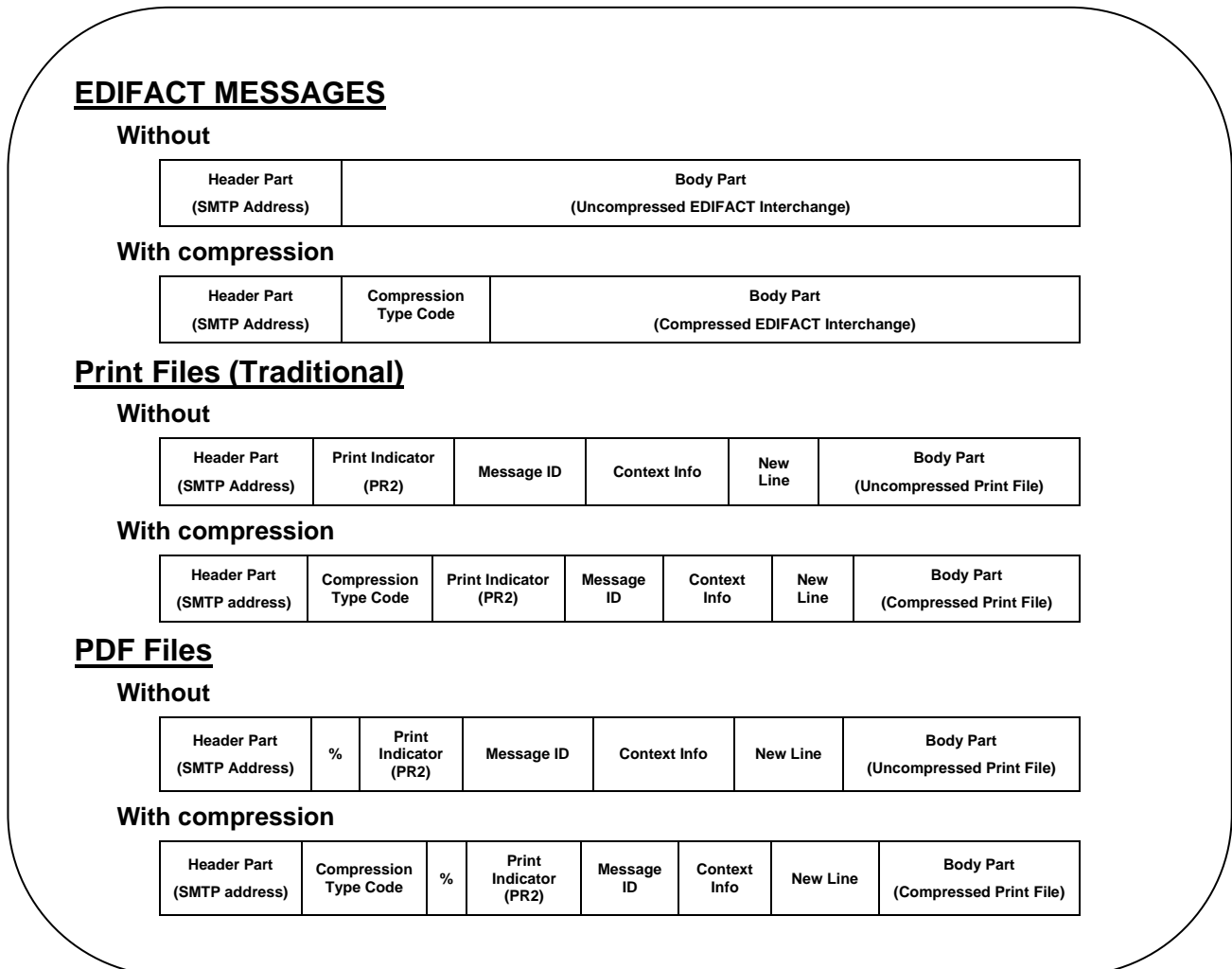


Figure 5 - Message File Structure

3.1.2 Print File Messages

EXDOC provides a remote printing facility for exporter systems. Print file messages sent to exporter systems will be in either PCL5 (.PRN) or PDF (.PDF) format and will be prefixed with a 3-character code to identify the message as a print file message. In PDF print file messages, the 3-character code will itself be prefixed with a percent character (%) to conform to the PDF specification. The code used for print file messages is 'PR2', indicating the file that follows is a print file. A message identifier number that uniquely identifies the print file message to the EXDOC system follows this code. The message identifier is a 10-character numeric string and is followed immediately by the print file itself.

When receiving a print file from EXDOC, the exporter system must send an acknowledgment message containing this message identifier to signal successful receipt of the print file.

Immediately following the 10-character message identifier will be a variable length field containing context information. A “new line” will be sent at the end of the context information. The context information is to be displayed to the user of the system to allow them to decide which of a number of print files they need to print.

The structure of print file messages is indicated in Figure 5 above.

It should be noted here that print file messages sent by EXDOC to exporter systems will be in the form of a file attachment rather than including the print file as part of the body of the message itself.

Vendors must take reasonable steps to ensure users may not print multiple copies of a print file. Once a file has been sent to print it must not be able to be reprinted. If the print job fails, the user must contact the department for an additional copy. Reasonable steps must also be taken to ensure users cannot easily obtain copies of the underlying print files. The department may disable access to remote print files for vendor software that does not follow these guidelines.

3.2 Interchange Structure

The structure of interchanges and messages transmitted between EXDOC and the Exporter System must conform to the EDIFACT Syntax Rules as defined by the International Organisation for Standardisation in ISO 9735, with the exception that functional groups are not supported and, as noted above, interchange sender/recipient addressing is not used.

All messages in the interchange must be for the same application (see 4.3.7).

An EXDOC system interchange at the EDIFACT level can therefore consist of:

UNA	Service String Advice	(Optional)
UNB	Interchange Header	(Mandatory)
UNG	Functional Group Header	(Not used in this agreement)
UNH	Message Header	(Mandatory)
<i>Message</i>		
UNT	Message Trailer	(Mandatory)
.		
.		
(
UNH		
<i>Message</i>		(Optional)
UNT		
)		
.		
.		
UNZ	Interchange Trailer	(Mandatory)

3.3 Message Structure

EXDOC processes messages that conform to the Government Regulatory Message (SANCRT) United Nations Standard Message definition. If required, a copy of the UN definition of the SANCRT message can normally be obtained from the local standards association.

The local adaptation of the SANCRT to convey RFPs and Certificate Requests is at Appendix A. Example messages are provided at Appendix F.

(Note the SANCRT definition is independent of this specification and may change at any time, however only those changes which require flow on changes to the departmental adaptation of the message will result in an update to this specification.)

EXDOC imposes the following restrictions on SANCRT content:

Maximum number of lines per RFP:	99
Maximum number of processors per RFP Line:	99
Maximum number of loading ports per RFP:	5
Maximum number of discharge ports per RFP:	3
Maximum number of Transport Details per RFP:	1
Maximum number of transit countries per RFP:	4
Maximum number of discharge ports per Cert Request:	1
Maximum number of consignees per Cert Request:	1

In addition, the department requires that repeating segments **MUST** be supplied in the order listed in the specification. For example, within the confines of segment repetition rules for a particular message function, a Loading Port LOC must be sent before a Discharge Port LOC, a Discharge Port before Destination City, and so on.

4 Message Envelope Processing

This section of the specification defines the processing rules which are applied to the interchange and message envelopes of EDIFACT messages, that is the data provided in UNA, UNB, UNH, UNZ and UNT segments. Section 6 describes how errors that are detected in data *content* are notified to the Exporter System. Errors in message *structure* are also notified where possible, but the format of the notification is dependent on the nature of the error and is not specified.

4.1 EDIFACT Syntax

The EDIFACT Syntax Rules provide a generic message syntax, but allow for specific trading partner agreements to more rigorously define elements of the syntax to cater for local requirements.

This section of the specification provides the rules pertinent to the EXDOC implementation of the EDIFACT Syntax Rules. It should be read in conjunction with ISO 9735.

4.2 UNA – Service String Advice

The UNA Service String Advice allows specification of the characters to be used as delimiters, the character indicating decimal notation and the character indicating character release.

4.2.1 Delimiters

EXDOC will allow any valid ASCII characters to be used as delimiters. Each delimiter must be unique and not also used as the release character.

For inbound messages, by default, the standard EDIFACT delimiters will be used. These are Information Separator IS 4 (Segment Delimiter), IS 3 (Data Element Delimiter), and IS 1 (Component Data Element Delimiter). The UNA can be used to change the delimiters in force for a particular interchange. It is recommended that the standard delimiters are used unless there is a risk that these may be interpreted as special characters by underlying communications protocols.

For outbound messages, EXDOC will use the delimiters defined for each mailbox in the EXDOC database. If these are non standard, a UNA will be pre-pended to each outbound message to identify the delimiters used.

Since the standard delimiters used by default in EXDOC are non printable characters, examples given in this specification use the following convention:

<u>Delimiter Type</u>	<u>Standard Value</u>	<u>Symbol Used in Examples</u>
Segment Terminator	IS4 – ASCII 1C	
Data Element Separator	IS3 – ASCII 1D	+
Component Data Element Separator	IS1 – ASCII 1F	:

4.2.2 Decimal Notation

The period (.) is prescribed as the indicator of decimal notation.

4.2.3 Release Character

Any valid ASCII character not in the Level B character set defined by ISO 9735 can be used as a release character, provided it is not also used as a delimiter. The recommended release character is IS2 (ASCII 1E). It should be noted that since rules in

this specification guarantee that the characters allowable for control and the characters allowable in message content are mutually exclusive, there should not be a need for the release character to be used.

4.3 UNB – Interchange Header

The Interchange Header starts with the segment code UNB followed by data elements in the following order.

4.3.1 UNB S001 – Syntax Identifier

The Syntax Identifier is a data element containing two component data elements, the Syntax Identifier data element and the Syntax Version Number data element.

4.3.1.1 UNB 0001 – Syntax Identifier

ISO 9735 defines optional syntax levels A and B, which are identical in all respects except for the character sets used. The EXDOC system will support only the level B syntax, which allows both upper and lower case and a greater range of special characters. EXDOC extends the UN definition for the UNOB character set by also including characters defined in the UNOC character set. The Controlling Agency is UNO.

Note that while lower case is supported by the syntax, the only fields to be stored in mixed case in the EXDOC database will be comments, declarations and shipping marks. All other fields will be converted to upper case before storage if required.

Processing / Incoming: Must be set to 'UNOB'.

Processing / Outgoing: Set to 'UNOB'.

4.3.1.2 UNB 0002 – Syntax Version Number

Each future amendment to the syntax standard will be identified by a unique version number to allow identification of the syntax rules used in the interchange. The syntax version used in this agreement is syntax version 2, indicating ISO 9735 R.782 dated 5 August 1991.

Processing / Incoming: Must be set to '2'.

Processing / Outgoing: Set to '2'.

4.3.2 UNB S002 – Interchange Sender

The Interchange Sender is a data element containing three component data elements; the Sender Identification, the Identification Code Qualifier and the Address for Reverse Routing.

4.3.2.1 UNB 0004 – Sender Identification

The Sender Identification is dependent on the Carrier used.

The 0004 data element is not used for addressing, and is set to a predefined filler.

Processing / Incoming: Must be set to '8'.

Processing / Outgoing: Set to '8'.

4.3.2.2 UNB 0007 – Identification Code Qualifier

The purpose of the Identification Code Qualifier is to identify the set of codes used in the Sender Identification. The element is conditional, and is not used in this agreement.

Processing / Incoming: Not used in this agreement.

Processing / Outgoing: Not used in this agreement.

4.3.2.3 UNB 0008 – Address for Reverse Routing

The Address for Reverse Routing specifies the routing address that must be specified in interchanges sent to the sender. This is to facilitate internal routing of the response in the sender's organisation. The element is conditional, and is not used in this agreement.

Processing / Incoming: Not used in this agreement.

Processing / Outgoing: Not used in this agreement.

4.3.3 UNB S003 – Interchange Recipient

The Interchange Recipient is a data element containing three component data elements; the Recipient Identification, the Identification Code Qualifier and the Routing Address.

4.3.3.1 UNB 0010 – Recipient Identification

The Recipient Identification is dependent on the Carrier used.

The 0010 data element is not used for addressing, and is set to a predefined filler.

Processing / Incoming: Must be set to '7'.

Processing / Outgoing: Set to '7'.

4.3.3.2 UNB 0007 – Identification Code Qualifier

The purpose of the Identification Code Qualifier is to identify the set of codes used in the Recipient Identification. The element is conditional, and is not used in this agreement.

Processing / Incoming: Not used in this agreement.

Processing / Outgoing: Not used in this agreement.

4.3.3.3 UNB 0014 – Routing Address

The Routing Address is a coded sub address to facilitate internal routing of the interchange in the recipient's organisation. The element is conditional, and is not used in this agreement.

Processing / Incoming: Not used in this agreement.

Processing / Outgoing: Not used in this agreement.

4.3.4 UNB S004 – Date/Time of Preparation

The Date/Time of Preparation is a data element containing two component data elements; the Date of Preparation and the Time of Preparation.

4.3.4.1 UNB 0017 – Date of Preparation

Specifies the local date, in the format YYMMDD, when the interchange was prepared.

Processing / Incoming: Data element must be present in YYMMDD format.

Processing / Outgoing: Set to the date of message preparation, in the format YYMMDD.

4.3.4.2 UNB 0019 – Time of Preparation

Specifies the local time, in format HHMM (24 hour clock), when the interchange was prepared.

Processing / Incoming: Data element must be present in HHMM format.

Processing / Outgoing: Set to the time of message preparation, in the format HHMM.

4.3.5 UNB 0020 – Interchange Control Reference

The Interchange Control Reference is assigned by the sender to be unique for all interchanges with a recipient. In this agreement, messages received out of sequence or in

duplicate by EXDOC will be allowed and will be processed in the order received. EXDOC records both the Interchange Control Reference currently stored in the system and the one specified in an interchange in an internal log to enable manual tracking of interchange sequence if necessary.

Processing / Incoming: An Interchange Control Reference of up to 14 numeric characters must be specified. Leading zeros may be omitted. EXDOC updates the stored Interchange Control Reference to the received value.

Processing / Outgoing: Set to the next reference number stored for EXDOC interchange exchanges for the user. Leading zeros are omitted. (It is open to the Exporter System what action is taken if the Interchange Control Reference is out of sequence with the last message received from EXDOC. A possible action is to reset the stored value to the value received and report the sequence error for manual follow-up.)

4.3.6 UNB S005 – Recipient's Reference/Password

The Recipient's Reference/Password is a data element containing two component data elements; the Recipient's Reference/Password and a Recipient's Reference/Password Qualifier. The segment is conditional, and is not used in this agreement.

4.3.6.1 UNB 0022 – Recipient's Reference/Password

The Recipient's Reference/Password is a conditional data element that may be used for one of three purposes: either as the Recipient's reference to an interchange, a password to the Recipient's System or a password to a third party network. The data element is conditional, and is not used in this agreement.

Processing / Incoming: Not used in this agreement.

Processing / Outgoing: Not used in this agreement.

4.3.6.2 UNB 0025 – Recipient's Reference/Password Qualifier

A qualifier to a Recipient's Reference/Password. The data element is conditional, and is not used in this agreement.

Processing / Incoming: Not used in this agreement.

Processing / Outgoing: Not used in this agreement.

4.3.7 UNB 0026 – Application Reference

The Application Reference is a conditional data element that may be used to identify the application area to which the messages in the interchange relate. This field is used within the department to route interchanges to the appropriate departmental application.

Processing / Incoming: Must be 'EXDOC'.

Processing / Outgoing: Set to 'EXDOC'.

4.3.8 UNB 0029 – Processing Priority Code

This data element specifies the processing priority to be applied to an interchange. EXDOC requires processing priority to be allocated at a message level, and this conditional data element is not used in this agreement. See the validation description for BGM 1000 for the manner of determining processing priority at message level.

Processing / Incoming: Not used in this agreement.

Processing / Outgoing: Not used in this agreement.

4.3.9 UNB 0031 – Acknowledgment Request

This data element specifies whether acknowledgments to interchanges are required. The value 1 indicates the sender is requesting acknowledgment for the interchange when the recipient has successfully received and identified the header and trailer segments (UNB and UNZ) for the interchange. The data element is conditional, and is not used in this agreement.

Processing / Incoming: Not used in this agreement.

Processing / Outgoing: Not used in this agreement.

4.3.10 UNB 0032 – Communications Agreement

This data element is used in this agreement to identify the Exporter System Type used to generate the interchange. System developers should consult the department for the code appropriate to their Exporter System.

Processing / Incoming: Must equal a valid Export System Code.

Processing / Outgoing: Set to null.

4.3.11 UNB 0035 – Test Indicator

This data element identifies if an interchange is a production or a test transmission. The value 1 indicates the interchange is a test transmission, 0 indicates a production transmission. If omitted, the interchange is regarded as a production transmission.

Processing / Incoming: Must be set to 1 (Test), 0 (Production), or Null (Production).

Processing / Outgoing: Set to 1 (Test), 0 (Production), or Null (Production).

4.4 UNH – Message Header

The Message Header starts with the segment code UNH followed by data elements in the following order.

4.4.1 UNH 0062 – Message Reference Number

The Message Reference Number is assigned by the sender to be unique for all messages with a recipient. In this agreement, messages received out of sequence or in duplicate by EXDOC will be allowed and will be processed in the order received.

Processing / Incoming: A Message Reference Number of up to 14 numeric characters must be specified. Leading zeros may be omitted. EXDOC updates the stored Message Reference Number to the received value.

Processing / Outgoing: Set to the next reference number stored for EXDOC message exchanges for the user. Leading zeros are omitted. (It is open to the Exporter System what action is taken if the Message Reference Number is out of sequence with the last message received from EXDOC. A possible action is to reset the stored value to the value received and report the sequence error for manual follow-up.)

4.4.2 UNH S009 – Message Identifier

The Message Identifier contains five component data elements; the Message Type, the Message Version Number, the Message Release Number, the Controlling Agency and Association Assigned Code.

4.4.2.1 UNH 0065 – Message Type

The Message Type identifies the message format that is being transmitted.

Processing / Incoming: Must be 'SANCRT'.

Processing / Outgoing: Set to 'SANCRT'.

4.4.2.2 UNH 0052 – Message Version Number

This data element specifies the version of the message being transmitted.

Processing / Incoming: Must be 'D' for messages conforming to this version of the specification.

Processing / Outgoing: Set to 'D' for messages conforming to this version of the specification.

4.4.2.3 UNH 0054 – Message Release Number

This data element specifies the release within the current version number of the message being transmitted.

Processing / Incoming: Must be '97B' for messages conforming to this version of the specification.

Processing / Outgoing: Set to '97B' for messages conforming to this version of the specification.

4.4.2.4 UNH 0051 – Controlling Agency

This data element specifies the agency controlling the specification, maintenance and publication of the message type.

Processing / Incoming: Must be 'UN' for United Nations.

Processing / Outgoing: Set to 'UN'.

4.4.2.5 UNH 0057 – Association Assigned Code

This data element is used to identify the version and release of the Exporter Interface System Specification to which messages conform. The code comprises a constant (RF) indicating the RFP role of the message, and a version identifier and release identifier, each specified as 2 alphanumeric characters.

Processing / Incoming: Must equal 'RF0801' indicating Version 8 Release 0 of the Interface Specification.

Processing / Outgoing: Set to 'RF0801' indicating Version 8 Release 0 of the Interface Specification.

4.4.3 UNH 0068 – Common Access Reference

The Common Access Reference number is a key to relate all subsequent transfers of data to the same business case. The data element is conditional, and is not used in this agreement.

Processing / Incoming: Not used in this agreement.

Processing / Outgoing: Not used in this agreement.

4.4.4 UNH S010 – Status Of The Transfer

The Status Of The Transfer contains two component data elements, the Sequence Of Transfers number and the First And Last sequence message transfer indication.

4.4.4.1 UNH 0070 – Sequence Of Transfers

This number indicates that the message is an addition or change to a previously sent message relating to the same topic. The data element is conditional, and is not used in this agreement.

Processing / Incoming: Not used in this agreement.

Processing / Outgoing: Not used in this agreement.

4.4.4.2 UNH 0073 – First and Last Transfer

This element indicates the first or last message in a sequence of the same type of message relating to the same topic. The data element is conditional, and is not used in this agreement.

Processing / Incoming: Not used in this agreement.

Processing / Outgoing: Not used in this agreement.

4.5 UNT – Message Trailer

The Message Trailer signifies the end of a message and serves as a check that the message was complete. It starts with the segment code UNT and consists of the following data elements.

4.5.1 UNT 0074 – Number of Segments In The Message

This element is a control count of the number of segments in this message including the UNH and UNT.

Processing / Incoming: Must equal the number of segments in this message including the UNH and UNT. This count excludes UNA, UNB and UNZ segments.

Processing / Outgoing: Set to the number of segments in this message including the UNH and UNT.

4.5.2 UNT 0062 – Message Reference Number

This element is used as a control and must contain the message reference number as specified in the 0062 data element of the UNH.

Processing / Incoming: Must equal the Message Reference Number specified in 0062 of UNH.

Processing / Outgoing: Set to the Message Reference Number specified in 0062 of UNH.

4.6 UNZ – Interchange Trailer

The Interchange Trailer signifies the end of the interchange and serves as a check that the interchange was complete. It follows the last UNT of the last message. It starts with the segment code UNZ and consists of the following data elements.

4.6.1 UNZ 0036 – Interchange Control Count

This element is a control count of the number of Messages or, if used, Functional Groups in this interchange.

Processing / Incoming: Must equal the number of messages in the interchange.

Processing / Outgoing: Set to the number of messages in the interchange.

4.6.2 UNZ 0020 – Interchange Control Reference

This element is used as a control and must contain the Interchange Control Reference as specified in the 0020 data element of the UNB.

Processing / Incoming: Must equal the Interchange Control Reference specified in 0020 of UNB.

Processing / Outgoing: Set to the Interchange Control Reference specified in 0020 of UNB.

5 Message Content Processing

This section of the specification defines the processing rules which are applied to the content of the SANCRT message, which is the data bounded by the UNH and UNT segments. The processing rules are arranged by message function.

The reader is also referred to:

- the **Message/Segment Summary** at Appendix B, which defines the segment requirements of each message type.
- the **Permission Matrixes** at Appendix C, which define the create/amend/delete options available to the exporter for each data element depending on RFP status.
- the **Data Element Directory** at Appendix D, which defines basic format validation rules that apply to each data element regardless of message type.

The focus of this specification is on the function and structure of messages, however a significant component of validation performed by EXDOC is concerned with ensuring that the data provided for an export meets published departmental importing country requirements. The complexity and volatility of these requirements preclude their inclusion in this specification. In the case of meat, the reader is referred to **The Australian Export Meat Manual Volume 2** for a detailed specification of importing country requirements.

Section 6 describes how errors that are detected in data *content* of messages are notified to the Exporter System. Errors in message *structure* are also notified where possible, but the type of notification is dependent on the nature of the error and the format is not specified. Where a response message can be constructed, it will follow the format for transaction type 11 (RFP Acknowledgment).

The processing rules below includes a specification of the repetition rule for each segment, which defines if the segment is mandatory, conditional or optional in the context of a particular message function. If a segment is not described for a particular message function, it is not required. Note that repeating segments must be supplied in the order listed in this specification.

In all cases, only those data segments and data elements which are used in the EXDOC adaptation of the SANCRT message are listed in this specification. Each listed data element is mandatory unless otherwise indicated. Other data elements listed for segments in the EDIFACT Segment Directory are never used in EXDOC and must never be sent.

Note that, where possible, codes from the EDIFACT Code Directory have been used in EXDOC messages. In some cases, a 'best fit' has been used to preclude the need to request more specific new codes through the EDIFACT process (hence, for example, 3035 code MP (Manufacturing Plant) to indicate 'Processing Establishment', 1225 code 13 (Request) to indicate 'Lodge', and so on). In other cases, the allocation of business specific codes was unavoidable and local codes have been defined, qualified by the '3055 Responsible Agency' data element as necessary.

NB – The codes specified in this document refer to information required from the exporter by EXDOC. The data item mapping table supplied as part of Appendix A – SANCRT ADAPTATION includes extra codes that are necessary to properly conform to the UN EDIFACT standard. These consist of extra data elements or data element components, which are not required in this specification, but are required for completeness in the message structure. As a result, the data item-mapping table contains the complete specification in relation to the EDIFACT standards. In messages to EXDOC, these extra codes must be entered as fillers.

5.1 Order RFP

5.1.1 Function

The function of this message is to lodge an Order RFP with the EXDOC system. An Order RFP is not considered to be a formal lodgement by the department, and is not eligible for inspection and authorisation. Minimal mandatory information is required to identify the RFP – other non-mandatory information can optionally be supplied and will be stored on the EXDOC database, however this information is not exhaustively validated. If accepted, the RFP is stored on the EXDOC database with a status of ORDR.

An Order RFP will force the allocation of an RFP number which can be used as the unique key to the order in the local Exporter System databases of an exporter agent group.

Subsequent amendments to an Order RFP must be made via the resubmission of the Order message quoting the existing RFP Number. Resubmission will cause the record on the EXDOC database to be completely replaced with the contents of the new message.

Deletion of Orders is via the Delete message.

Order RFPs can be forwarded among members of an agent group if desired, however they cannot be transferred to another owner exporter.

When sufficient data becomes available an Order RFP can be converted to a formal RFP simply by resubmitting it with RFP Reason 13 (Lodge) and quoting the reserved RFP Number.

In the case where EXDOC is acting as a Customs agent for the exporter this function will also invoke the automatic submission of ICS transactions via the EXDOC system. The agent role is indicated by the inclusion of a GIS segment with the role of Customs Agent Indicator in the message. When acting as an agent, EXDOC validates that the RFP contains the required ICS data.

Order RFPs are acknowledged via the RFP Acknowledgment message.

5.1.2 Message

SANCRТ, with RFP Reason 16 (Order).

5.1.3 Processing

The following validation is performed by the EXDOC system on this type of message. Segments not listed are not required and not allowed.

5.1.3.1 Reason 16 (Order): UNH

Segment Rule: Mandatory. See 4.4 for UNH processing details.

5.1.3.2 Reason 16 (Order): GR0 BGM (Role – RFP Identification)

Segment Rule: Mandatory.

Data Item: *Name:* Commodity Type, *Element:* BGM C002/1001
Data Rule: Must equal a Commodity Type Code (see Appendix E for Commodity Type Codes).

Data Item: *Name:* Code List Responsible Agency, *Element:* BGM C002/3055
Data Rule: Must equal AQ.

Data Item: *Name:* Priority, *Element:* BGM C002/1000
Data Rule: Must equal 9 (Normal) or 0 (High).

Data Rule:	If Priority equals High, Transport Mode must equal 4 (Air).
Data Item:	<i>Name:</i> RFP Number, <i>Element:</i> BGM 1004
Data Rule:	Conditional.
Data Rule:	If a new order, must be null.
Data Rule:	If an existing order, must be the RFP number allocated to the order.
Data Item:	<i>Name:</i> RFP Reason, <i>Element:</i> BGM 1225
Data Rule:	Must equal 16 (Order).
Data Item:	<i>Name:</i> RFP Response Type, <i>Element:</i> BGM 4343
Data Rule:	Not Required.
Data Rule:	Must be null.

5.1.3.3 Reason 16 (Order): GR0 DTM (Role – Pack Date)

Segment Rule: Optional. Where present, data elements are validated for format and, if coded, must conform to the relevant Data Rule as specified for Lodge RFP, otherwise not validated.

5.1.3.4 Reason 16 (Order): GR0 LOC (Role – Border Inspection Port)

Segment Rule: Optional. Where present, data elements are validated for format and, if coded, must conform to the relevant Data Rule as specified for Lodge RFP, otherwise not validated.

5.1.3.5 Reason 16 (Order): GR0 LOC (Role – Loading Port)

Segment Rule: Optional. Where present, data elements are validated for format and, if coded, must conform to the relevant Data Rule as specified for Lodge RFP, otherwise not validated.

5.1.3.6 Reason 16 (Order): GR0 LOC (Role – Discharge Port)

Segment Rule: Optional. Where present, data elements are validated for format and, if coded, must conform to the relevant Data Rule as specified for Lodge RFP, otherwise not validated.

5.1.3.7 Reason 16 (Order): GR0 LOC (Role – Destination City)

Segment Rule: Optional. Where present, data elements are validated for format and, if coded, must conform to the relevant Data Rule as specified for Lodge RFP, otherwise not validated.

5.1.3.8 Reason 16 (Order): GR0 LOC (Role – Destination Country)

Segment Rule: Optional. Where present, data elements are validated for format and, if coded, must conform to the relevant Data Rule as specified for Lodge RFP, otherwise not validated.

5.1.3.9 Reason 16 (Order): GR0 LOC (Role – Product Source Country)

Segment Rule: Optional. Where present, data elements are validated for format and, if coded, must conform to the relevant Data Rule as specified for Lodge RFP, otherwise not validated.

5.1.3.10 Reason 16 (Order): GR0 LOC (Role – Transit Country)

Segment Rule: Optional. Where present, data elements are validated for format and, if coded, must conform to the relevant Data Rule as specified for Lodge RFP, otherwise not validated.

5.1.3.11 Reason 16 (Order): GR0 LOC (Role – Certificate Required Location)

Segment Rule: Optional. Where present, data elements are validated for format and, if coded, must conform to the relevant Data Rule as specified for Lodge RFP, otherwise not validated.

5.1.3.12 Reason 16 (Order): GR0 LOC (Role – Print Region)

Segment Rule: Optional. Where present, data elements are validated for format and, if coded, must conform to the relevant Data Rule as specified for Lodge RFP, otherwise not validated.

5.1.3.13 Reason 16 (Order): GR0 RFF (Role – Exporter Reference)

Segment Rule: Mandatory.

Data Item: *Name:* Reference Qualifier, *Element:* RFF C506/1153

Data Rule: Must equal ABE (Declarant's Reference).

Data Item: *Name:* Exporter Reference, *Element:* RFF C506/1154

Data Rule: Free format text. Must be unique for the exporter.

5.1.3.14 Reason 16 (Order): GR0 RFF (Role – ECN/EDN)

Segment Rule: Optional. Where present, data elements are validated for format and, if coded, must conform to the relevant Data Rule as specified for Lodge RFP, otherwise not validated.

5.1.3.15 Reason 16 (Order): GR0 FTX (Role – Exporter Declaration)

Segment Rule: Optional. Where present, data elements are validated for format and, if coded, must conform to the relevant Data Rule as specified for Lodge RFP, otherwise not validated.

5.1.3.16 Reason 16 (Order): GR0 FTX (Role – Inspector Comments)

Segment Rule: Optional. Where present, data elements are validated for format and, if coded, must conform to the relevant Data Rule as specified for Lodge RFP, otherwise not validated.

5.1.3.17 Reason 16 (Order): GR0 FTX (Role – Notify Party Text)

Segment Rule: Optional. Where present, data elements are validated for format and, if coded, must conform to the relevant Data Rule as specified for Lodge RFP, otherwise not validated.

5.1.3.18 Reason 16 (Order): GR0 FTX (Role – Letter of Credit Text)

Segment Rule: Optional. Where present, data elements are validated for format and, if coded, must conform to the relevant Data Rule as specified for Lodge RFP, otherwise not validated.

5.1.3.19 Reason 16 (Order): GR0 FTX (Role – Additional Information)

Segment Rule: Optional. Where present, data elements are validated for format and, if coded, must conform to the relevant Data Rule as specified for Lodge RFP, otherwise not validated.

5.1.3.20 Reason 16 (Order): GR0 FTX (Role – Origin/Catching Zone)

Segment Rule: Optional. Where present, data elements are validated for format and, if coded, must conform to the relevant Data Rule as specified for Lodge RFP, otherwise not validated.

5.1.3.21 Reason 16 (Order): GR0 FTX (Role – Lot Number)

Segment Rule: Optional. Where present, data elements are validated for format and, if coded, must conform to the relevant Data Rule as specified for Lodge RFP, otherwise not validated.

5.1.3.22 Reason 16 (Order): GR0 FTX (Role – Average Age of Animals)

Segment Rule: Optional. Where present, data elements are validated for format and, if coded, must conform to the relevant Data Rule as specified for Lodge RFP, otherwise not validated.

5.1.3.23 Reason 16 (Order): GR0 FTX (Role – AMLC Quota Year)

Segment Rule: Optional. Where present, data elements are validated for format and, if coded, must conform to the relevant Data Rule as specified for Lodge RFP, otherwise not validated.

5.1.3.24 Reason 16 (Order): GR0 FTX (Role – Quota Type)

Segment Rule: Optional. Where present, data elements are validated for format and, if coded, must conform to the relevant Data Rule as specified for Lodge RFP, otherwise not validated.

5.1.3.25 Reason 16 (Order): GR0 MEA (Role – Transshipment Storage Temperature)

Segment Rule: Optional. Where present, data elements are validated for format and, if coded, must conform to the relevant Data Rule as specified for Lodge RFP, otherwise not validated.

5.1.3.26 Reason 16 (Order): GR0 MOA (Role – FOB Currency Unit)

Segment Rule: Optional. Where present, data elements are validated for format and, if coded, must conform to the relevant Data Rule as specified for Lodge RFP, otherwise not validated.

5.1.3.27 Reason 16 (Order): GR0 GIS (Role – Certificate Print Indicator)

Segment Rule: Optional. Where present, data elements are validated for format and, if coded, must conform to the relevant Data Rule as specified for Lodge RFP, otherwise not validated.

5.1.3.28 Reason 16 (Order): GR0 GIS (Role – Separate Certificate Container Indicator)

Segment Rule: Optional. Where present, data elements are validated for format and, if coded, must conform to the relevant Data Rule as specified for Lodge RFP, otherwise not validated.

5.1.3.29 Reason 16 (Order): GR0 GIS (Role – Separate Certificate Marks Indicator)

Segment Rule: Optional. Where present, data elements are validated for format and, if coded, must conform to the relevant Data Rule as specified for Lodge RFP, otherwise not validated.

5.1.3.30 Reason 16 (Order): GR0 GIS (Role – Separate Certificate Packer Indicator)

Segment Rule: Optional. Where present, data elements are validated for format and, if coded, must conform to the relevant Data Rule as specified for Lodge RFP, otherwise not validated.

5.1.3.31 Reason 16 (Order): GR0 GIS (Role – Ship Stores Indicator)

Segment Rule: Optional. Where present, data elements are validated for format and, if coded, must conform to the relevant Data Rule as specified for Lodge RFP, otherwise not validated.

5.1.3.32 Reason 16 (Order): GR0 GIS (Role – RFP Forward Status)

Segment Rule: Optional. Where present, data elements are validated for format and, if coded, must conform to the relevant Data Rule as specified for Lodge RFP, otherwise not validated.

5.1.3.33 Reason 16 (Order): GR0 GIS (Role – AMLC Quota Indicator)

Segment Rule: Optional. Where present, data elements are validated for format and, if coded, must conform to the relevant Data Rule as specified for Lodge RFP, otherwise not validated.

5.1.3.34 Reason 16 (Order): GR0 GIS (Role – Customs Agent Indicator)

Segment Rule: Optional. Where present, data elements are validated for format and, if coded, must conform to the relevant Data Rule as specified for Lodge RFP, otherwise not validated.

5.1.3.35 Reason 16 (Order): GR0 GIS (Role – Declaration Estimate Indicator)

Segment Rule: Optional. Where present, data elements are validated for format and, if coded, must conform to the relevant Data Rule as specified for Lodge RFP, otherwise not validated.

5.1.3.36 Reason 16 (Order): GR0 GIS (Role – Declaration of Compliance Indicator)

Segment Rule: Optional. Where present, data elements are validated for format and, if coded, must conform to the relevant Data Rule as specified for Lodge RFP, otherwise not validated.

5.1.3.37 Reason 16 (Order): GR0 GIS (Role – True and Complete Indicator)

Segment Rule: Optional. Where present, data elements are validated for format and, if coded, must conform to the relevant Data Rule as specified for Lodge RFP, otherwise not validated.

5.1.3.38 Reason 16 (Order): GR0 GIS (Role – Imported Product Flag)

Segment Rule: Optional. Where present, data elements are validated for format and, if coded, must conform to the relevant Data Rule as specified for Lodge RFP, otherwise not validated.

5.1.3.39 Reason 16 (Order): GR0 GIS (Role – Product Use Indicator)

Segment Rule: Optional. Where present, data elements are validated for format and, if coded, must conform to the relevant Data Rule as specified for Lodge RFP, otherwise not validated.

5.1.3.40 Reason 16 (Order): GR1 DOC (Role – Import Permit Number)

Segment Rule: Optional. Where present, data elements are validated for format and, if coded, must conform to the relevant Data Rule as specified for Lodge RFP, otherwise not validated.

5.1.3.41 Reason 16 (Order): GR1 DTM (Role – Import Permit Date)

Segment Rule: Optional. Where present, data elements are validated for format and, if coded, must conform to the relevant Data Rule as specified for Lodge RFP, otherwise not validated.

Segment Rule: An owner Import Permit Number DOC must be present.

5.1.3.42 Reason 16 (Order): GR1 DOC (Role – Recommendation Letter Number)

Segment Rule: Optional. Where present, data elements are validated for format and, if coded, must conform to the relevant Data Rule as specified for Lodge RFP, otherwise not validated.

5.1.3.43 Reason 16 (Order): GR1 DTM (Role – Recommendation Letter Date)

Segment Rule: Optional. Where present, data elements are validated for format and, if coded, must conform to the relevant Data Rule as specified for Lodge RFP, otherwise not validated.

Segment Rule: An owner Recommendation Letter Number DOC must be present.

5.1.3.44 Reason 16 (Order): GR2 PNA (Role – Owner Exporter Number)

Segment Rule: Mandatory.

Data Item: *Name:* Party Qualifier, *Element:* PNA 3035

Data Rule: Must equal EX (Exporter).

Data Item: *Name:* Owner Exporter Number, *Element:* PNA C206/7402

Data Rule: Must equal a current Exporter Number.

5.1.3.45 Reason 16 (Order): GR3 CTA (Role – Forwarder EDI User Identifier)

Segment Rule: Optional. If present, RFP Forward Status must also be present.

Segment Rule: An Owner Exporter Number PNA must be present.

Data Item: *Name:* Contact Function, *Element:* CTA 3139

Data Rule: Must equal AG (Agent).

Data Item: *Name:* Forwarder EDI User Identifier, *Element:* CTA C056/3413

Data Rule: Must be an EDI User Identifier able to operate on behalf of the Owner Exporter.

Data Rule: Must not be the current Owner EDI User Identifier for the RFP (as derived from the interchange or file header details).

5.1.3.46 Reason 16 (Order): GR2 PNA (Role – Consignee Name)

Segment Rule: Optional. Where present, data elements are validated for format and, if coded, must conform to the relevant Data Rule as specified for Lodge RFP, otherwise not validated.

5.1.3.47 Reason 16 (Order): GR2 ADR (Role – Consignee Address)

Segment Rule: Optional. Where present, data elements are validated for format and, if coded, must conform to the relevant Data Rule as specified for Lodge RFP, otherwise not validated.

5.1.3.48 Reason 16 (Order): GR2 FTX (Role – Consignee TRACES Approval ID)

Segment Rule: Optional. Where present, data elements are validated for format and, if coded, must conform to the relevant Data Rule as specified for Lodge RFP, otherwise not validated.

5.1.3.49 Reason 16 (Order): GR3 CTA (Role – Consignee Contact Details)

Segment Rule: Optional. Where present, data elements are validated for format and, if coded, must conform to the relevant Data Rule as specified for Lodge RFP, otherwise not validated.

5.1.3.50 Reason 16 (Order): GR3 COM (Role – Consignee Phone Number)

Segment Rule: Optional. Where present, data elements are validated for format and, if coded, must conform to the relevant Data Rule as specified for Lodge RFP, otherwise not validated.

5.1.3.51 Reason 16 (Order): GR2 PNA (Role – Consignee Representative Name)

Segment Rule: Optional. Where present, data elements are validated for format and, if coded, must conform to the relevant Data Rule as specified for Lodge RFP, otherwise not validated.

5.1.3.52 Reason 16 (Order): GR3 CTA (Role – Consignee Representative Name)

Segment Rule: Optional. Where present, data elements are validated for format and, if coded, must conform to the relevant Data Rule as specified for Lodge RFP, otherwise not validated.

5.1.3.53 Reason 16 (Order): GR2 PNA (Role – Person Responsible for Consignment)

Segment Rule: Optional. Where present, data elements are validated for format and, if coded, must conform to the relevant Data Rule as specified for Lodge RFP, otherwise not validated.

5.1.3.54 Reason 16 (Order): GR2 ADR (Role – Person Responsible Address)

Segment Rule: Optional. Where present, data elements are validated for format and, if coded, must conform to the relevant Data Rule as specified for Lodge RFP, otherwise not validated.

5.1.3.55 Reason 16 (Order): GR3 CTA (Role – Person Responsible Contact Details)

Segment Rule: Optional. Where present, data elements are validated for format and, if coded, must conform to the relevant Data Rule as specified for Lodge RFP, otherwise not validated.

5.1.3.56 Reason 16 (Order): GR3 COM (Role – Person Responsible Phone Number)

Segment Rule: Optional. Where present, data elements are validated for format and, if coded, must conform to the relevant Data Rule as specified for Lodge RFP, otherwise not validated.

5.1.3.57 Reason 16 (Order): GR2 PNA (Role – Place of Destination)

Segment Rule: Optional. Where present, data elements are validated for format and, if coded, must conform to the relevant Data Rule as specified for Lodge RFP, otherwise not validated.

5.1.3.58 Reason 16 (Order): GR2 ADR (Role – Place of Destination Address)

Segment Rule: Optional. Where present, data elements are validated for format and, if coded, must conform to the relevant Data Rule as specified for Lodge RFP, otherwise not validated.

5.1.3.59 Reason 16 (Order): GR3 CTA (Role – Place of Destination Contact Details)

Segment Rule: Optional. Where present, data elements are validated for format and, if coded, must conform to the relevant Data Rule as specified for Lodge RFP, otherwise not validated.

5.1.3.60 Reason 16 (Order): GR3 COM (Role – Place of Destination Phone Number)

Segment Rule: Optional. Where present, data elements are validated for format and, if coded, must conform to the relevant Data Rule as specified for Lodge RFP, otherwise not validated.

5.1.3.61 Reason 16 (Order): GR4 TDT (Role – Transport Details)

Segment Rule: Optional. Where present, data elements are validated for format and, if coded, must conform to the relevant Data Rule as specified for Lodge RFP, otherwise not validated.

5.1.3.62 Reason 16 (Order): GR4 DTM (Role – Departure Date)

Segment Rule: Optional. Where present, data elements are validated for format and, if coded, must conform to the relevant Data Rule as specified for Lodge RFP, otherwise not validated.

5.1.3.63 Reason 16 (Order): GR6 EQD (Role – Vessel Hold)

Segment Rule: Optional. Where present, data elements are validated for format and, if coded, must conform to the relevant Data Rule as specified for Lodge RFP, otherwise not validated.

5.1.3.64 Reason 16 (Order): GR7 SEL (Role – Vessel Hold Seals)

Segment Rule: Optional. Where present, data elements are validated for format and, if coded, must conform to the relevant Data Rule as specified for Lodge RFP, otherwise not validated.

Segment Rule: An owner EQD must be present.

5.1.3.65 Reason 16 (Order): GR8 PRC (Role – Inspection Process)

Segment Rule: Optional. Where present, data elements are validated for format and, if coded, must conform to the relevant Data Rule as specified for Lodge RFP, otherwise not validated.

5.1.3.66 Reason 16 (Order): GR8 DTM (Role – Inspection Requested Date)

Segment Rule: Optional. Where present, data elements are validated for format and, if coded, must conform to the relevant Data Rule as specified for Lodge RFP, otherwise not validated.

Segment Rule: An owner PRC must be present.

5.1.3.67 Reason 16 (Order): GR8 DTM (Role – RFP Authorised Start Date)

Segment Rule: Optional. Where present, data elements are validated for format and, if coded, must conform to the relevant Data Rule as specified for Lodge RFP, otherwise not validated.

Segment Rule: An owner PRC must be present.

5.1.3.68 Reason 16 (Order): GR8 DTM (Role – RFP Authorised End Date)

Segment Rule: Optional. Where present, data elements are validated for format and, if coded, must conform to the relevant Data Rule as specified for Lodge RFP, otherwise not validated.

Segment Rule: An owner PRC must be present.

5.1.3.69 Reason 16 (Order): GR9 PNA (Role – RFP Authorisation Establishment Number)

Segment Rule: Optional. Where present, data elements are validated for format and, if coded, must conform to the relevant Data Rule as specified for Lodge RFP, otherwise not validated.

Segment Rule: An owner PRC must be present.

5.1.3.70 Reason 16 (Order): GR9 PNA (Role – RFP Authorising Officer Identifier)

Segment Rule: Optional. Where present, data elements are validated for format and, if coded, must conform to the relevant Data Rule as specified for Lodge RFP, otherwise not validated.

Segment Rule: An owner PRC must be present.

5.1.3.71 Reason 16 (Order): GR8 PRC (Role – Ships Hold Inspection Process)

Segment Rule: Optional. Where present, data elements are validated for format and, if coded, must conform to the relevant Data Rule as specified for Lodge RFP, otherwise not validated.

5.1.3.72 Reason 16 (Order): GR8 IMD (Role – Compartments)

Segment Rule: Optional. Where present, data elements are validated for format and, if coded, must conform to the relevant Data Rule as specified for Lodge RFP, otherwise not validated.

Segment Rule: An owner PRC must be present.

5.1.3.73 Reason 16 (Order): GR8 IMD (Role – Inspection Port)

Segment Rule: Optional. Where present, data elements are validated for format and, if coded, must conform to the relevant Data Rule as specified for Lodge RFP, otherwise not validated.

Segment Rule: An owner PRC must be present.

5.1.3.74 Reason 16 (Order): GR8 DTM (Role – Ships Hold Inspection Date)

Segment Rule: Optional. Where present, data elements are validated for format and, if coded, must conform to the relevant Data Rule as specified for Lodge RFP, otherwise not validated.

Segment Rule: An owner PRC must be present.

5.1.3.75 Reason 16 (Order): GR8 PRC (Role – Storage Process)

Segment Rule: Optional. Where present, data elements are validated for format and, if coded, must conform to the relevant Data Rule as specified for Lodge RFP, otherwise not validated.

5.1.3.76 Reason 16 (Order): GR9 PNA (Role – Storage Establishment Number)

Segment Rule: Optional. Where present, data elements are validated for format and, if coded, must conform to the relevant Data Rule as specified for Lodge RFP, otherwise not validated.

Segment Rule: An owner PRC must be present.

5.1.3.77 Reason 16 (Order): GR9 PNA (Role – Approved Certifier)

Segment Rule: Optional. Where present, data elements are validated for format and, if coded, must conform to the relevant Data Rule as specified for Lodge RFP, otherwise not validated.

5.1.3.78 Reason 16 (Order): GR11 LIN (Role – Line Identifier)

Segment Rule: Optional. Where present, data elements are validated for format and, if coded, must conform to the relevant Data Rule as specified for Lodge RFP, otherwise not validated.

5.1.3.79 Reason 16 (Order): GR11 MEA (Role – Line Net Quantity)

Segment Rule: Optional. Where present, data elements are validated for format and, if coded, must conform to the relevant Data Rule as specified for Lodge RFP, otherwise not validated.

Segment Rule: An owner LIN must be present.

5.1.3.80 Reason 16 (Order): GR11 MEA (Role – Line Imperial Net Weight)

Segment Rule: Optional. Where present, data elements are validated for format and, if coded, must conform to the relevant Data Rule as specified for Lodge RFP, otherwise not validated.

Segment Rule: An owner LIN must be present.

5.1.3.81 Reason 16 (Order): GR11 MEA (Role – Line Metric Gross Weight)

Segment Rule: Optional. Where present, data elements are validated for format and, if coded, must conform to the relevant Data Rule as specified for Lodge RFP, otherwise not validated.

Segment Rule: An owner LIN must be present.

5.1.3.82 Reason 16 (Order): GR11 MEA (Role – Drained Weight)

Segment Rule: Optional. Where present, data elements are validated for format and, if coded, must conform to the relevant Data Rule as specified for Lodge RFP, otherwise not validated.

Segment Rule: An owner LIN must be present.

5.1.3.83 Reason 16 (Order): GR11 MEA (Role – Line Customs Weight)

Segment Rule: Optional. Where present, data elements are validated for format and, if coded, must conform to the relevant Data Rule as specified for Lodge RFP, otherwise not validated.

Segment Rule: An owner LIN must be present.

5.1.3.84 Reason 16 (Order): GR11 MEA (Role – Percentage of milk protein)

Segment Rule: Optional. Where present, data elements are validated for format and, if coded, must conform to the relevant Data Rule as specified for Lodge RFP, otherwise not validated.

Segment Rule: An owner LIN must be present.

5.1.3.85 Reason 16 (Order): GR11 MEA (Role – Percentage of milk fat)

Segment Rule: Optional. Where present, data elements are validated for format and, if coded, must conform to the relevant Data Rule as specified for Lodge RFP, otherwise not validated.

Segment Rule: An owner LIN must be present.

5.1.3.86 Reason 16 (Order): GR11 MEA (Role – Total weight of milk protein)

Segment Rule: Optional. Where present, data elements are validated for format and, if coded, must conform to the relevant Data Rule as specified for Lodge RFP, otherwise not validated.

Segment Rule: An owner LIN must be present.

5.1.3.87 Reason 16 (Order): GR11 MEA (Role – Total weight of milk fat)

Segment Rule: Optional. Where present, data elements are validated for format and, if coded, must conform to the relevant Data Rule as specified for Lodge RFP, otherwise not validated.

Segment Rule: An owner LIN must be present.

5.1.3.88 Reason 16 (Order): GR11 MEA (Role – Beef Veal Weight)

Segment Rule: Optional. Where present, data elements are validated for format and, if coded, must conform to the relevant Data Rule as specified for Lodge RFP, otherwise not validated.

Segment Rule: An owner LIN must be present.

5.1.3.89 Reason 16 (Order): GR11 MEA (Role – Chemical Lean Percentage)

Segment Rule: Optional. Where present, data elements are validated for format and, if coded, must conform to the relevant Data Rule as specified for Lodge RFP, otherwise not validated.

Segment Rule: An owner LIN must be present.

5.1.3.90 Reason 16 (Order): GR11 PIA (Role – Product Code)

Segment Rule: Optional. Where present, data elements are validated for format and, if coded, must conform to the relevant Data Rule as specified for Lodge RFP, otherwise not validated.

Segment Rule: An owner LIN must be present.

5.1.3.91 Reason 16 (Order): GR11 PIA (Role – Cut Type Code)

Segment Rule: Optional. Where present, data elements are validated for format and, if coded, must conform to the relevant Data Rule as specified for Lodge RFP, otherwise not validated.

Segment Rule: An owner LIN must be present.

5.1.3.92 Reason 16 (Order): GR11 PIA (Role – EAN – 13 Number)

Segment Rule: Optional. Where present, data elements are validated for format and, if coded, must conform to the relevant Data Rule as specified for Lodge RFP, otherwise not validated.

Segment Rule: An owner LIN must be present.

5.1.3.93 Reason 16 (Order): GR11 PIA (Role – AHECC Code)

Segment Rule: Optional. Where present, data elements are validated for format and, if coded, must conform to the relevant Data Rule as specified for Lodge RFP, otherwise not validated.

5.1.3.94 Reason 16 (Order): GR11 PIA (Role – Dominant Product)

Segment Rule: Optional. Where present, data elements are validated for format and, if coded, must conform to the relevant Data Rule as specified for Lodge RFP, otherwise not validated.

Segment Rule: An owner LIN must be present.

5.1.3.95 Reason 16 (Order): GR11 PIA (Role – Additional Products)

Segment Rule: Optional. Where present, data elements are validated for format and, if coded, must conform to the relevant Data Rule as specified for Lodge RFP, otherwise not validated.

Segment Rule: An owner LIN must be present.

5.1.3.96 Reason 16 (Order): GR11 IMD (Role – RFP Line Item Description)

Segment Rule: Optional. Where present, data elements are validated for format and, if coded, must conform to the relevant Data Rule as specified for Lodge RFP, otherwise not validated.

Segment Rule: An owner LIN must be present.

5.1.3.97 Reason 16 (Order): GR11 IMD (Role – Exporter Defined Product Description)

Segment Rule: Optional. Where present, data elements are validated for format and, if coded, must conform to the relevant Data Rule as specified for Lodge RFP, otherwise not validated.

Segment Rule: An owner LIN must be present.

5.1.3.98 Reason 16 (Order): GR11 IMD (Role – Additional Product Description)

Segment Rule: Optional. Where present, data elements are validated for format and, if coded, must conform to the relevant Data Rule as specified for Lodge RFP, otherwise not validated.

Segment Rule: An owner LIN must be present.

5.1.3.99 Reason 16 (Order): GR11 IMD (Role – EAN Description)

Segment Rule: Optional. Where present, data elements are validated for format and, if coded, must conform to the relevant Data Rule as specified for Lodge RFP, otherwise not validated.

Segment Rule: An owner LIN must be present.

Segment Rule: A matching PIA (EAN-13 number must be present).

5.1.3.100 Reason 16 (Order): GR11 IMD (Role – Product Condition)

Segment Rule: Optional. Where present, data elements are validated for format and, if coded, must conform to the relevant Data Rule as specified for Lodge RFP, otherwise not validated.

Segment Rule: An owner LIN must be present.

5.1.3.101 Reason 16 (Order): GR11 IMD (Role – Product Part)

Segment Rule: Optional. Where present, data elements are validated for format and, if coded, must conform to the relevant Data Rule as specified for Lodge RFP, otherwise not validated.

Segment Rule: An owner LIN must be present.

5.1.3.102 Reason 16 (Order): GR11 IMD (Role – Product Quality Qualification)

Segment Rule: Optional. Where present, data elements are validated for format and, if coded, must conform to the relevant Data Rule as specified for Lodge RFP, otherwise not validated.

Segment Rule: An owner LIN must be present.

5.1.3.103 Reason 16 (Order): GR11 IMD (Role – Product Location Qualification)

Segment Rule: Optional. Where present, data elements are validated for format and, if coded, must conform to the relevant Data Rule as specified for Lodge RFP, otherwise not validated.

Segment Rule: An owner LIN must be present.

5.1.3.104 Reason 16 (Order): GR11 IMD (Role – Nature of Commodity)

Segment Rule: Conditional. Where present, data elements are validated for format and, if coded, must conform to the relevant Data Rule as specified for Lodge RFP, otherwise not validated.

Segment Rule: An owner LIN must be present.

5.1.3.105 Reason 16 (Order): GR11 IMD (Role – Treatment Type)

Segment Rule: Conditional. Where present, data elements are validated for format and, if coded, must conform to the relevant Data Rule as specified for Lodge RFP, otherwise not validated.

Segment Rule: An owner LIN must be present.

5.1.3.106 Reason 16 (Order): GR11 GIN (Role – Batch Code)

Segment Rule: Optional. Where present, data elements are validated for format and, if coded, must conform to the relevant Data Rule as specified for Lodge RFP, otherwise not validated.

Segment Rule: An owner LIN must be present.

5.1.3.107 Reason 16 (Order): GR11 RFF (Role – Label Approval Number)

Segment Rule: Optional. Where present, data elements are validated for format and, if coded, must conform to the relevant Data Rule as specified for Lodge RFP, otherwise not validated.

Segment Rule: An owner LIN must be present.

5.1.3.108 Reason 16 (Order): GR11 RFF (Role – Export Scheme Code)

Segment Rule: Optional. Where present, data elements are validated for format and, if coded, must conform to the relevant Data Rule as specified for Lodge RFP, otherwise not validated.

Segment Rule: An owner LIN must be present.

5.1.3.109 Reason 16 (Order): GR11 RFF (Role – AMLC Quota Approval Reference)

Segment Rule: Optional. Where present, data elements are validated for format and, if coded, must conform to the relevant Data Rule as specified for Lodge RFP, otherwise not validated.

Segment Rule: An owner LIN must be present.

5.1.3.110 Reason 16 (Order): GR11 ATT (Role – Label Approval Indicator)

Segment Rule: Optional. Where present, data elements are validated for format and, if coded, must conform to the relevant Data Rule as specified for Lodge RFP, otherwise not validated.

5.1.3.111 Reason 16 (Order): GR11 ATT (Role – Ungraded Product Indicator)

Segment Rule: Optional. Where present, data elements are validated for format and, if coded, must conform to the relevant Data Rule as specified for Lodge RFP, otherwise not validated.

Segment Rule: An owner LIN must be present.

5.1.3.112 Reason 16 (Order): GR11 ATT (Role – Halal Product Indicator)

Segment Rule: Optional. Where present, data elements are validated for format and, if coded, must conform to the relevant Data Rule as specified for Lodge RFP, otherwise not validated.

Segment Rule: An owner LIN must be present.

5.1.3.113 Reason 16 (Order): GR11 ATT (Role – Final Consumer)

Segment Rule: Optional. Where present, data elements are validated for format and, if coded, must conform to the relevant Data Rule as specified for Lodge RFP, otherwise not validated.

Segment Rule: An owner LIN must be present.

5.1.3.114 Reason 16 (Order): GR11 ATT (Role – Fish Water Indicator)

Segment Rule: Optional. Where present, data elements are validated for format and, if coded, must conform to the relevant Data Rule as specified for Lodge RFP, otherwise not validated.

Segment Rule: An owner LIN must be present.

5.1.3.115 Reason 16 (Order): GR11 DTM (Role – Durability Start Date)

Segment Rule: Optional. Where present, data elements are validated for format and, if coded, must conform to the relevant Data Rule as specified for Lodge RFP, otherwise not validated.

Segment Rule: An owner LIN must be present.

Segment Rule: If Durability End Date not present then corresponds to Use by Date.

5.1.3.116 Reason 16 (Order): GR11 DTM (Role – Durability End Date)

Segment Rule: Optional. Where present, data elements are validated for format and, if coded, must conform to the relevant Data Rule as specified for Lodge RFP, otherwise not validated.

Segment Rule: An owner LIN must be present.

5.1.3.117 Reason 16 (Order): GR11 DTM (Role – Salting Date)

Segment Rule: Optional. Where present, data elements are validated for format and, if coded, must conform to the relevant Data Rule as specified for Lodge RFP, otherwise not validated.

Segment Rule: An owner LIN must be present.

5.1.3.118 Reason 16 (Order): GR11 DTM (Role – Catch Start Date)

Segment Rule: Optional. Where present, data elements are validated for format and, if coded, must conform to the relevant Data Rule as specified for Lodge RFP, otherwise not validated.

Segment Rule: An owner LIN must be present.

5.1.3.119 Reason 16 (Order): GR11 DTM (Role – Catch End Date)

Segment Rule: Optional. Where present, data elements are validated for format and, if coded, must conform to the relevant Data Rule as specified for Lodge RFP, otherwise not validated.

Segment Rule: An owner LIN must be present.

5.1.3.120 Reason 16 (Order): GR11 LOC (Role – Product Source State)

Segment Rule: Optional. Where present, data elements are validated for format and, if coded, must conform to the relevant Data Rule as specified for Lodge RFP, otherwise not validated.

Segment Rule: An owner LIN must be present.

5.1.3.121 Reason 16 (Order): GR11 LOC (Role – Product Country of Origin)

Segment Rule: Optional. Where present, data elements are validated for format and, if coded, must conform to the relevant Data Rule as specified for Lodge RFP, otherwise not validated.

Segment Rule: An owner LIN must be present.

5.1.3.122 Reason 16 (Order): GR11 FTX (Role – Additional Declaration Text)

Segment Rule: Optional. Where present, data elements are validated for format and, if coded, must conform to the relevant Data Rule as specified for Lodge RFP, otherwise not validated.

Segment Rule: An owner LIN must be present.

5.1.3.123 Reason 16 (Order): GR11 FTX (Role – Coded Statement)

Segment Rule: Optional. Where present, data elements are validated for format and, if coded, must conform to the relevant Data Rule as specified for Lodge RFP, otherwise not validated.

Segment Rule: An owner LIN must be present.

5.1.3.124 Reason 16 (Order): GR11 FTX (Role – Free Text Statement)

Segment Rule: Optional. Where present, data elements are validated for format and, if coded, must conform to the relevant Data Rule as specified for Lodge RFP, otherwise not validated.

Segment Rule: An owner LIN must be present.

5.1.3.125 Reason 16 (Order): GR11 FTX (Role – Import Authority Code)

Segment Rule: Optional. Where present, data elements are validated for format and, if coded, must conform to the relevant Data Rule as specified for Lodge RFP, otherwise not validated.

5.1.3.126 Reason 16 (Order): GR11 FTX (Role – Client Line Item Identifier)

Segment Rule: Optional. Where present, data elements are validated for format and, if coded, must conform to the relevant Data Rule as specified for Lodge RFP, otherwise not validated.

5.1.3.127 Reason 16 (Order): GR11 MOA (Role – FOB Amount)

Segment Rule: Optional. Where present, data elements are validated for format and, if coded, must conform to the relevant Data Rule as specified for Lodge RFP, otherwise not validated.

Segment Rule: An owner LIN must be present.

5.1.3.128 Reason 16 (Order): GR12 DOC (Role – Requested Certificate Template/Endorsement)

Segment Rule: Optional. Where present, data elements are validated for format and, if coded, must conform to the relevant Data Rule as specified for Lodge RFP, otherwise not validated.

Segment Rule: An owner LIN must be present.

5.1.3.129 Reason 16 (Order): GR12 PRC (Role – Extra Certificate)

Segment Rule: Optional. Where present, data elements are validated for format and, if coded, must conform to the relevant Data Rule as specified for Lodge RFP, otherwise not validated.

Segment Rule: An owner LIN must be present.

5.1.3.130 Reason 16 (Order): GR12 DOC (Role – Related Export Permit Number)

Segment Rule: Optional. Where present, data elements are validated for format and, if coded, must conform to the relevant Data Rule as specified for Lodge RFP, otherwise not validated.

Segment Rule: An owner LIN must be present.

5.1.3.131 Reason 16 (Order): GR12 DTM (Role – Related Export Permit Date)

Segment Rule: Optional. Where present, data elements are validated for format and, if coded, must conform to the relevant Data Rule as specified for Lodge RFP, otherwise not validated.

Segment Rule: An owner Export Permit Date DTM must be present.

5.1.3.132 Reason 16 (Order): GR12 DTM (Role – AMLC Performance Exporter Number)

Segment Rule: Optional. Where present, data elements are validated for format and, if coded, must conform to the relevant Data Rule as specified for Lodge RFP, otherwise not validated.

Segment Rule: An owner LIN must be present.

5.1.3.133 Reason 16 (Order): GR15 PAC (Role – Packaging Details)

Segment Rule: Optional. Where present, data elements are validated for format and, if coded, must conform to the relevant Data Rule as specified for Lodge RFP, otherwise not validated.

Segment Rule: An owner LIN must be present.

5.1.3.134 Reason 16 (Order): GR15 PCI (Role – Shipping Marks)

Segment Rule: Optional. Where present, data elements are validated for format and, if coded, must conform to the relevant Data Rule as specified for Lodge RFP, otherwise not validated.

Segment Rule: An owner PAC must be present.

5.1.3.135 Reason 16 (Order): GR15 MEA (Role – Package Measurement)

Segment Rule: Optional. Where present, data elements are validated for format and, if coded, must conform to the relevant Data Rule as specified for Lodge RFP, otherwise not validated.

Segment Rule: An owner PAC must be present.

5.1.3.136 Reason 16 (Order): GR16 EQD (Role – Container)

Segment Rule: Optional. Where present, data elements are validated for format and, if coded, must conform to the relevant Data Rule as specified for Lodge RFP, otherwise not validated.

Segment Rule: An owner LIN must be present.

5.1.3.137 Reason 16 (Order): GR16 MEA (Role – IMA1 Net Weight)

Segment Rule: Optional. Where present, data elements are validated for format and, if coded, must conform to the relevant Data Rule as specified for Lodge RFP, otherwise not validated.

Segment Rule: An owner EQD must be present.

5.1.3.138 Reason 16 (Order): GR16 MEA (Role – IMA1 Gross Weight)

Segment Rule: Optional. Where present, data elements are validated for format and, if coded, must conform to the relevant Data Rule as specified for Lodge RFP, otherwise not validated.

Segment Rule: An owner EQD must be present.

5.1.3.139 Reason 16 (Order): GR16 IMD (Role – IMA1 Product Description)

Segment Rule: Optional. Where present, data elements are validated for format and, if coded, must conform to the relevant Data Rule as specified for Lodge RFP, otherwise not validated.

Segment Rule: An owner EQD must be present.

5.1.3.140 Reason 16 (Order): GR16 GIN (Role – IMA1 Serial Number)

Segment Rule: Optional. Where present, data elements are validated for format and, if coded, must conform to the relevant Data Rule as specified for Lodge RFP, otherwise not validated.

Segment Rule: An owner EQD must be present.

5.1.3.141 Reason 16 (Order): GR16 GIN (Role – IMA1 Invoice Number)

Segment Rule: Optional. Where present, data elements are validated for format and, if coded, must conform to the relevant Data Rule as specified for Lodge RFP, otherwise not validated.

Segment Rule: An owner EQD must be present.

5.1.3.142 Reason 16 (Order): GR16 DTM (Role – IMA1 Invoice Date)

Segment Rule: Optional. Where present, data elements are validated for format and, if coded, must conform to the relevant Data Rule as specified for Lodge RFP, otherwise not validated.

Segment Rule: An owner EQD must be present.

5.1.3.143 Reason 16 (Order): GR16 FTX (Role – IMA1 Quota Year)

Segment Rule: Optional. Where present, data elements are validated for format and, if coded, must conform to the relevant Data Rule as specified for Lodge RFP, otherwise not validated.

Segment Rule: An owner EQD must be present.

5.1.3.144 Reason 16 (Order): GR17 SEL (Role- Container Seal)

Segment Rule: Optional. Where present, data elements are validated for format and, if coded, must conform to the relevant Data Rule as specified for Lodge RFP, otherwise not validated.

Segment Rule: An owner EQD must be present.

5.1.3.145 Reason 16 (Order): GR18 PRC (Role – Treatment)

Segment Rule: Optional. Where present, data elements are validated for format and, if coded, must conform to the relevant Data Rule as specified for Lodge RFP, otherwise not validated.

Segment Rule: An owner LIN must be present.

5.1.3.146 Reason 16 (Order): GR18 IMD (Role – Treatment Information)

Segment Rule: Optional. Where present, data elements are validated for format and, if coded, must conform to the relevant Data Rule as specified for Lodge RFP, otherwise not validated.

Segment Rule: An owner PRC must be present.

5.1.3.147 Reason 16 (Order): GR18 IMD (Role – Treatment Active Ingredient)

Segment Rule: Optional. Where present, data elements are validated for format and, if coded, must conform to the relevant Data Rule as specified for Lodge RFP, otherwise not validated.

Segment Rule: An owner Treatment Details PRC must be present.

5.1.3.148 Reason 16 (Order): GR18 MEA (Role – Treatment Concentration)

Segment Rule: Optional. Where present, data elements are validated for format and, if coded, must conform to the relevant Data Rule as specified for Lodge RFP, otherwise not validated.

Segment Rule: An owner Treatment Details PRC must be present.

5.1.3.149 Reason 16 (Order): GR18 MEA (Role – Treatment Duration)

Segment Rule: Optional. Where present, data elements are validated for format and, if coded, must conform to the relevant Data Rule as specified for Lodge RFP, otherwise not validated.

Segment Rule: An owner Treatment Details PRC must be present.

5.1.3.150 Reason 16 (Order): GR18 MEA (Role – Treatment Temperature)

Segment Rule: Optional. Where present, data elements are validated for format and, if coded, must conform to the relevant Data Rule as specified for Lodge RFP, otherwise not validated.

Segment Rule: An owner Treatment Details PRC must be present.

5.1.3.151 Reason 16 (Order): GR18 DTM (Role – Treatment Date)

Segment Rule: Optional. Where present, data elements are validated for format and, if coded, must conform to the relevant Data Rule as specified for Lodge RFP, otherwise not validated.

Segment Rule: An owner PRC must be present.

5.1.3.152 Reason 16 (Order): GR18 DTM (Role – Treatment End Date)

Segment Rule: Optional. Where present, data elements are validated for format and, if coded, must conform to the relevant Data Rule as specified for Lodge RFP, otherwise not validated.

Segment Rule: An owner PRC must be present.

5.1.3.153 Reason 16 (Order): GR18 PRC (Role – Harvest Process)

Segment Rule: Optional. Where present, data elements are validated for format and, if coded, must conform to the relevant Data Rule as specified for Lodge RFP, otherwise not validated.

Segment Rule: An owner LIN must be present.

5.1.3.154 Reason 16 (Order): GR18 DTM (Role – Harvest Start Date)

Segment Rule: Optional. Where present, data elements are validated for format and, if coded, must conform to the relevant Data Rule as specified for Lodge RFP, otherwise not validated.

Segment Rule: An owner PRC must be present.

5.1.3.155 Reason 16 (Order): GR18 DTM (Role – Harvest End Date)

Segment Rule: Optional. Where present, data elements are validated for format and, if coded, must conform to the relevant Data Rule as specified for Lodge RFP, otherwise not validated.

Segment Rule: An owner PRC must be present.

5.1.3.156 Reason 16 (Order): GR18 DTM (Role – Depuration Date)

Segment Rule: Optional. Where present, data elements are validated for format and, if coded, must conform to the relevant Data Rule as specified for Lodge RFP, otherwise not validated.

Segment Rule: An owner PRC must be present.

5.1.3.157 Reason 16 (Order): GR18 LOC (Role – Harvest Area/Lease Number)

Segment Rule: Optional. Where present, data elements are validated for format and, if coded, must conform to the relevant Data Rule as specified for Lodge RFP, otherwise not validated.

Segment Rule: An owner PRC must be present.

5.1.3.158 Reason 16 (Order): GR19 PNA (Role – Depuration Plant Number)

Segment Rule: Optional. Where present, data elements are validated for format and, if coded, must conform to the relevant Data Rule as specified for Lodge RFP, otherwise not validated.

Segment Rule: An owner PRC must be present.

5.1.3.159 Reason 16 (Order): GR18 PRC (Role – Production Process)

Segment Rule: Optional. Where present, data elements are validated for format and, if coded, must conform to the relevant Data Rule as specified for Lodge RFP, otherwise not validated.

Segment Rule: An owner LIN must be present.

5.1.3.160 Reason 16 (Order): GR18 DTM (Role – Process Start Date)

Segment Rule: Optional. Where present, data elements are validated for format and, if coded, must conform to the relevant Data Rule as specified for Lodge RFP, otherwise not validated.

Segment Rule: An owner PRC must be present.

5.1.3.161 Reason 16 (Order): GR18 DTM (Role – Process End Date)

Segment Rule: Optional. Where present, data elements are validated for format and, if coded, must conform to the relevant Data Rule as specified for Lodge RFP, otherwise not validated.

Segment Rule: An owner PRC must be present.

5.1.3.162 Reason 16 (Order): GR19 PNA (Role – Processing Establishment Number/Name)

Segment Rule: Optional. Where present, data elements are validated for format and, if coded, must conform to the relevant Data Rule as specified for Lodge RFP, otherwise not validated.

Segment Rule: An owner PRC must be present.

5.1.3.163 Reason 16 (Order): GR19 ADR (Role – Processing Establishment Address)

Segment Rule: Optional. Where present, data elements are validated for format and, if coded, must conform to the relevant Data Rule as specified for Lodge RFP, otherwise not validated.

Segment Rule: An owner PNA must be present.

5.1.3.164 Reason 16 (Order): GR20 CTA (Role – Processing Establishment Contact Details)

Segment Rule: Optional. Where present, data elements are validated for format and, if coded, must conform to the relevant Data Rule as specified for Lodge RFP, otherwise not validated.

5.1.3.165 Reason 16 (Order): GR20 COM (Role – Processing Establishment Phone Number)

Segment Rule: Optional. Where present, data elements are validated for format and, if coded, must conform to the relevant Data Rule as specified for Lodge RFP, otherwise not validated.

5.1.3.166 Reason 16 (Order): UNT

Segment Rule: Mandatory. See 4.5 for UNT processing details.

5.2 Lodge RFP

5.2.1 Function

The function of this message is to submit an initial lodgement of a formal RFP with the EXDOC system. If accepted, the RFP is stored on the EXDOC database with a status of INIT, FINL, INSP or HCRD as appropriate. Subsequent amendments to the RFPs must be made via amendment or deletion messages.

In the case where EXDOC is acting as a Customs agent for the exporter this function will also invoke the automatic submission of ICS transactions via the EXDOC system. The agent role is indicated by the inclusion of a GIS segment with the role of Customs Agent Indicator in the message. When acting as an agent, EXDOC validates that the RFP contains the required ICS data.

Lodgement requests are acknowledged via the RFP Acknowledgment message.

5.2.2 Message

SANCRT, with RFP Reason 13 (Lodge).

5.2.3 Processing

The following validation is performed by the EXDOC system on this type of message. Segments not listed are not required and not allowed.

5.2.3.1 Reason 13 (Lodge): UNH

Segment Rule: Mandatory. See 4.4 for UNH processing details.

5.2.3.2 Reason 13 (Lodge): GR0 BGM (Role – RFP Identification)

Segment Rule: Mandatory.

Data Item: *Name:* Commodity Type, *Element:* BGM C002/1001
Data Rule: Must equal a Commodity Type Code (see Appendix E for Commodity Type Codes).

Data Item: *Name:* Code List Responsible Agency, *Element:* BGM C002/3055
Data Rule: Must equal AQ.

Data Item: *Name:* Priority, *Element:* BGM C002/1000
Data Rule: Must equal 9 (Normal) or 0 (High).
Data Rule: If Priority equals High, Transport Mode must equal 4 (Air).

Data Item: *Name:* RFP Number, *Element:* BGM 1004
Data Rule: Conditional.
Data Rule: If updating an RFP with status ORDR, must be present.
Data Rule: If creating an RFP, must be null.

Data Item: *Name:* RFP Reason, *Element:* BGM 1225
Data Rule: Must equal 13 (Lodge).

Data Item: *Name:* RFP Response Type, *Element:* BGM 4343
Data Rule: Not Required.
Data Rule: Must be null.

5.2.3.3 Reason 13 (Lodge): GR0 DTM (Role – Pack Date)

Segment Rule: Conditional. May only be present if Commodity Type is set to 'W' (Wool) or 'S' (Skins and Hides).

Segment Rule: Subject to above, must be present if required by the combination of product and destination.

Data Item: *Name:* Date/time/period Qualifier, *Element:* DTM C507/2005

Data Rule: Must equal 365 (Packaging date).

Data Item: *Name:* Pack Date, *Element:* DTM C507/2380

Data Rule: Must equal a date of the prescribed format.

Data Rule: Must be less than or equal to Departure Date.

Data Item: *Name:* Date/time/period Format Qualifier, *Element:* DTM C507/2379

Data Rule: Must equal 102 (ccyymmdd).

5.2.3.4 Reason 13 (Lodge): GR0 LOC (Role – Border Inspection Port)

Segment Rule: Not allowed if Commodity Type is set to 'H' (Horticulture) or 'G' (Grains and Seeds).

Segment Rule: Subject to above, conditional.

Data Item: *Name:* Location Qualifier, *Element:* LOC 3227

Data Rule: Must equal 43 (Place of inspection).

Data Item: *Name:* Discharge Port, *Element:* LOC C517/3225

Data Rule: Must not be an Australian Port Code.

5.2.3.5 Reason 13 (Lodge): GR0 LOC (Role – Loading Port)

Segment Rule: Mandatory if Certificate is required, otherwise optional but must be present before a Certificate can be produced.

Segment Rule: Subject to above. If Commodity Type is set to 'W' (Wool) or 'S' (Skins) then a maximum of 5 Loading Ports are allowed, otherwise a single Loading Port must be supplied only.

Data Item: *Name:* Location Qualifier, *Element:* LOC 3227

Data Rule: Must equal 9 (Place/Port of Loading).

Data Item: *Name:* Loading Port, *Element:* LOC C517/3225

Data Rule: Must equal an Australian Port Code (see Appendix E for Australian Port Codes).

5.2.3.6 Reason 13 (Lodge): GR0 LOC (Role – Discharge Port)

Segment Rule: Mandatory if Certificate is not required, otherwise optional but must be present before a Certificate can be produced.

Segment Rule: Subject to above. If Commodity Type is set to 'G' (Grains) or 'H' (Horticulture) then a maximum of 3 Discharge Ports are allowed, otherwise a single Discharge Port must be supplied only.

Data Item: *Name:* Location Qualifier, *Element:* LOC 3227

Data Rule: Must equal 12 (Place/Port of Discharge).

Data Item: *Name:* Discharge Port, *Element:* LOC C517/3225
Data Rule: Must not be an Australian Port Code (see Appendix E for Australian Port Codes).
Data Rule: If Commodity Type is set to 'G' (Grains) or 'H' (Horticulture), must be valid for the selected transport mode (See UNLOCODE for valid transport mode of Discharge Port)

5.2.3.7 Reason 13 (Lodge): GR0 LOC (Role – Destination City)

Segment Rule: Optional if Certificate Print Indicator equals C.
Segment Rule: Subject to above, mandatory if Certificate is not required, otherwise optional but must be present before a Certificate can be produced.
Segment Rule: If Commodity Type is set to 'G' (Grains) or 'H' (Horticulture) and Destination City not provided, Destination City is defaulted to Discharge Port if present.

Data Item: *Name:* Location Qualifier, *Element:* LOC 3227
Data Rule: Must equal 8 (Place of Destination).

Data Item: *Name:* Destination City, *Element:* LOC C517/3225
Data Rule: Free format text. Note this location is not validated against LOCODE. (If defaulted to Discharge Port, this field is set to the *expansion* of the Discharge Port LOCODE.)

5.2.3.8 Reason 13 (Lodge): GR0 LOC (Role – Destination Country)

Segment Rule: Mandatory.

Data Item: *Name:* Location Qualifier, *Element:* LOC 3227
Data Rule: Must equal 36 (Country of Ultimate Destination).

Data Item: *Name:* Destination Country, *Element:* LOC C517/3225
Data Rule: Must equal a UN LOCODE Country Code.
Data Rule: Must not be a code for Australia or one of its territories (see Appendix E for Australia, Territories and State Possessions Codes).

5.2.3.9 Reason 13 (Lodge): GR0 LOC (Role – Product Source Country)

Segment Rule: Optional. If not present, Product Source Country is defaulted to AU.

Data Item: *Name:* Location Qualifier, *Element:* LOC 3227
Data Rule: Must equal 30 (Country of Production).

Data Item: *Name:* Product Source Country, *Element:* LOC C517/3225
Data Rule: Must equal a UN LOCODE Country Code.

5.2.3.10 Reason 13 (Lodge): GR0 LOC (Role – Transit Country)

Segment Rule: Optional.
Segment Rule: Repeatable field up to a maximum of 4.

Data Item: *Name:* Location Qualifier, *Element:* LOC 3227
Data Rule: Must equal 49 (Country of Transit).

Data Item: *Name:* Transit Country, *Element:* LOC C517/3225
Data Rule: Must equal a UN LOCODE Country Code.

5.2.3.11 Reason 13 (Lodge): GR0 LOC (Role – Certificate Required Location)

Segment Rule: Conditional. Must be present if Certificate Print Indicator equals A, M or C, otherwise not required.

Data Item: *Name:* Location Qualifier, *Element:* LOC 3227

Data Rule: Must equal 91 (Place of Document Issue).

Data Item: *Name:* Certificate Required Location, *Element:* LOC C517/3225

Data Rule: Must equal a Print Region Code (see Appendix E for Print Region Codes) or a registered EDI User Identifier with remote print capability.

5.2.3.12 Reason 13 (Lodge): GR0 LOC (Role – Print Region)

Segment Rule: Conditional. Required if Commodity Type is not set to 'M' (Meat) or 'I' (Inedible Meat).

Data Item: *Name:* Location Qualifier, *Element:* LOC 3227

Data Rule: Must equal 48 (Region of Production)

Data Item: *Name:* Print Region, *Element:* LOC C517/3225

Data Rule: If Commodity Type is set to 'M' (Meat) or 'I' (Inedible Meat) then must equal a Print Region code only.

Data Rule: Subject to above, must equal a Print Region Code or a Region Code (see Appendix E for Print Region Codes and Region Codes).

5.2.3.13 Reason 13 (Lodge): GR0 RFF (Role – Exporter Reference)

Segment Rule: Mandatory.

Data Item: *Name:* Reference Qualifier, *Element:* RFF C506/1153

Data Rule: Must equal ABE (Declarant's Reference).

Data Item: *Name:* Exporter Reference, *Element:* RFF C506/1154

Data Rule: Free format text. Must be unique for the exporter.

5.2.3.14 Reason 13 (Lodge): GR0 RFF (Role – ECN/EDN)

Segment Rule: Optional. Should be supplied if EXDOC is not the Customs Agent and the exporter has used the Authority Number facility on ICS to clear goods before an EPN is allocated.

Data Item: *Name:* Reference Qualifier, *Element:* RFF C506/1153

Data Rule: Must equal AAE (Goods Declaration Number).

Data Item: *Name:* ECN or EDN, *Element:* RFF C506/1154

Data Rule: Free format text. Must be non-blank.

5.2.3.15 Reason 13 (Lodge): GR0 FTX (Role – Exporter Declaration)

Segment Rule: Conditional. Must be present if required by the combination of product and destination.

Segment Rule: Maximum of 2 repeats allowed.

Note: If required, this item must be present at lodgement.

Data Item: *Name:* Text Subject Qualifier, *Element:* FTX 4451

Data Rule: Must equal DCL (Declaration).

Data Item: *Name:* Exporter Declaration, *Element:* FTX C108/4440
Data Rule: Minimum 1 and maximum 5 repeats.
Data Rule: Free format text. Each repeat must be non-blank. Content is validated manually by departmental staff.

5.2.3.16 Reason 13 (Lodge): GR0 FTX (Role – Inspector Comments)

Segment Rule: Conditional. Not supplied unless the Inspection Establishment, the Inspector and the EDI User are AQA authorised.
Segment Rule: Subject to above, optional.

Data Item: *Name:* Text Subject Qualifier, *Element:* FTX 4451
Data Rule: Must equal AAY (Certification Statements).

Data Item: *Name:* Inspector Comments, *Element:* FTX C108/4440
Data Rule: Minimum 1 and maximum 3 repeats.
Data Rule: Free format text. Each repeat must be non-blank. Content is validated manually by departmental staff.

5.2.3.17 Reason 13 (Lodge): GR0 FTX (Role – Notify Party Text)

Segment Rule: Optional. May be supplied if Commodity Type is set to 'D' (Dairy), 'M' (Meat), 'I' (Inedible Meat), 'W' (Wool) or 'S' (Skins and Hides), otherwise not allowed.
Segment Rule: Maximum of 99 repeats allowed.

Data Item: *Name:* Text Subject Qualifier, *Element:* FTX 4451
Data Rule: Must equal AAG (Notify Party).

Data Item: *Name:* Notify Party Text, *Element:* FTX C108/4440
Data Rule: Minimum 1 and maximum 5 repeats.
Data Rule: Free format text.
Data Rule: Any spaces will be stored and printed.
Data Rule: Each element repeat will be treated as a separate line when printing the data on certificates.
Data Rule: Content is validated manually by departmental staff.

5.2.3.18 Reason 13 (Lodge): GR0 FTX (Role – Letter of Credit Text)

Segment Rule: Optional. May be supplied if Commodity Type is set to 'W' (Wool) or 'S' (Skins and Hides), otherwise not allowed.
Segment Rule: Repeats allowed.

Data Item: *Name:* Text Subject Qualifier, *Element:* FTX 4451
Data Rule: Must equal AAW (Letter of Credit).

Data Item: *Name:* Letter of Credit Text, *Element:* FTX C108/4440
Data Rule: Minimum 1 and maximum 5 repeats.
Data Rule: Free format text.
Data Rule: Each repeat must be non-blank.
Data Rule: Each element repeat will be treated as a separate line when printing the data on certificates.
Data Rule: Content is validated manually by departmental staff.

5.2.3.19 Reason 13 (Lodge): GR0 FTX (Role – Additional Information)

Segment Rule: Optional. May be supplied if Commodity Type is set to 'D' (Dairy) or 'I' (Inedible Meat), otherwise not allowed.

Segment Rule: Maximum of 99 repeats allowed.

Data Item: *Name:* Text Subject Qualifier, *Element:* FTX 4451

Data Rule: Must equal ACB (Additional Information).

Data Item: *Name:* Additional Information Text, *Element:* FTX C108/4440

Data Rule: Minimum 1 and maximum 5 repeats.

Data Rule: Free format text.

Data Rule: Any spaces will be stored and printed.

Data Rule: Repeats will be concatenated together to be printed on a certificate.

Data Rule: Content is validated manually by departmental staff.

5.2.3.20 Reason 13 (Lodge): GR0 FTX (Role – Origin/Catching Zone)

Segment Rule: Optional. May be supplied if Commodity Type is set to 'F' (Fish), otherwise not allowed.

Segment Rule: Repeats allowed.

Data Item: *Name:* Text Subject Qualifier, *Element:* FTX 4451

Data Rule: Must equal OCZ (Origin/Catching Zone).

Data Item: *Name:* Origin/Catching Zone Text, *Element:* FTX C108/4440

Data Rule: Maximum of 3 occurrences of this data item allowed.

Data Rule: Free format text.

Data Rule: Any spaces will be stored and printed.

Data Rule: Each element repeat will be treated as a separate Origin/Catching Zone when printing the data on certificates.

Data Rule: Content is validated manually by departmental staff.

5.2.3.21 Reason 13 (Lodge): GR0 FTX (Role – Lot Number)

Segment Rule: Optional. May be supplied if Commodity Type is set to 'H' (Horticulture) or 'G' (Grain), otherwise not allowed.

Segment Rule: Repeats not allowed.

Data Item: *Name:* Text Subject Qualifier, *Element:* FTX 4451

Data Rule: Must equal MKS (Additional marks/numbers information).

Data Item: *Name:* Lot Number Text, *Element:* FTX C108/4440

Data Rule: Maximum of 1 occurrence of this data item allowed.

Data Rule: Free format text.

Data Rule: Any spaces will be stored and printed.

Data Rule: Content is validated manually by departmental staff.

5.2.3.22 Reason 13 (Lodge): GR0 FTX (Role – Average Age of Animals)

Segment Rule: Not allowed if Commodity Type is not set to 'M' (Meat).

Segment Rule: Repeats not allowed.

Data Item: *Name:* Text Subject Qualifier, *Element:* FTX 4451

Data Rule: Must equal ACF (Additional attribute information).

Data Item: *Name:* Average age of animals, *Element:* FTX C108/4440
Data Rule: Maximum of 1 occurrence of this data item allowed.
Data Rule: Can only equal “less than 1 year”, “more than 1 year” or “both age ranges”.
Data Rule: Content is validated by departmental staff.

5.2.3.23 Reason 13 (Lodge): GR0 FTX (Role – AMLC Quota Year)

Segment Rule: Conditional. Required if Commodity Type is set to ‘M’ (Meat) or ‘D’ (Dairy).
Segment Rule: No Repeats allowed.

Data Item: *Name:* Text Subject Qualifier, *Element:* FTX 4451
Data Rule: Must equal ABW (Free Format Text).

Data Item: *Name:* AMLC Quota Year, *Element:* FTX C108/4440
Data Rule: Must be blank if AMLC Quota Indicator is N (No) or it must be supplied if AMLC Quota Indicator is Y (Yes).
Maximum of 1 occurrence of this data item allowed.
The value must be one of the following:
current year,
current year + 1,
current year -1 to current year,
current year to current year +1,
current year +1 to current year +2.
The format must be ‘CCYY’ or ‘CCYY-YY’.

5.2.3.24 Reason 13 (Lodge): GRO FTX (Role – Quota Type)

Segment Rule: Optional. May be supplied if Commodity Type is set to ‘M’ (Meat) otherwise not allowed.
Segment Rule: Repeats not allowed.

Data Item: *Name:* Text Subject Qualifier, *Element:* FTX 4451
Data Rule: Must equal QUT (Quotation instruction/information).

Data Item: *Name:* Quota Type Text, *Element:* FTX C108/4440
Data Rule: Maximum of 1 occurrence of this data item allowed.
Data Rule: Free format text.
Data Rule: Any spaces will be stored and printed.
Data Rule: Content is validated manually by departmental staff.

5.2.3.25 Reason 13 (Lodge): GR0 MEA (Role – Transshipment Storage Temperature)

Segment Rule: Optional. This segment can only be provided if the Commodity Type is set to ‘M’ (Meat), ‘I’ (Inedible Meat), ‘D’ (Dairy) ‘E’ (Eggs), or ‘F’ (Fish).
Segment Rule: Subject to above, conditional. Must be present if required by the combination of product and destination.
Segment Rule: Subject to above, mandatory if Certificate is required, otherwise optional but must be present before a Certificate can be produced.

Data Item: *Name:* Measure Application Qualifier, *Element:* MEA 6311
Data Rule: Must equal TE (Temperature).

Data Item:	<i>Name:</i> Measure Dimension Coded, <i>Element:</i> MEA C502/6313
Data Rule:	Must equal ADE (Shipping Tolerance).
Data Item:	<i>Name:</i> Measure Unit Qualifier, <i>Element:</i> MEA C174/6411
Data Rule:	Must equal CEL (Degree Celsius) or FAH (Degree Fahrenheit).
Data Item:	<i>Name:</i> Transshipment Storage Temperature, <i>Element:</i> MEA C174/6314
Data Rule:	Must be a numeric measurement value.
Data Item:	<i>Name:</i> Minimum Transshipment Storage Temperature, <i>Element:</i> MEA C174/6162
Data Rule:	Only allowed if Commodity Type is set to 'F' (Fish), 'E' (Eggs), or 'I' (Inedible Meat).
Data Rule:	Subject to above, only allowed if Transshipment Storage Temperature (C174/6314) is not given.
Data Rule:	Must be a numeric measurement value.
Data Item:	<i>Name:</i> Maximum Transshipment Storage Temperature, <i>Element:</i> MEA C174/6152
Data Rule:	Only allowed if Minimum Transshipment Storage Temperature (C174/6162) is given.
Data Rule:	Must be given if Minimum Transshipment Storage Temperature (C174/6162) is given.
Data Rule:	Must be greater than Minimum Transshipment Storage Temperature (C174/6162).
Data Rule:	Must be a numeric measurement value.

5.2.3.26 Reason 13 (Lodge): GR0 MOA (Role – FOB Currency Unit)

Segment Rule:	Conditional. Must be present if Customs Agent Indicator equals Y
Segment Rule:	Subject to above, if Commodity Type is set to 'D' (Dairy) then mandatory if certificate is not required, otherwise optional but must be present before a certificate can be produced.
Segment Rule:	Subject to above, if Commodity Type is not 'D' (Dairy) then not required.
Segment Rule:	This field will not be transmitted by EXDOC in any outward messages to industry. If an RFP is Forwarded or Transferred then the new owner will have to re-enter the value.

Data Item:	<i>Name:</i> Monetary Amount Qualifier, <i>Element:</i> MOA C516/5025
Data Rule:	Must equal 63 (Free On Board Value).

Data Item:	<i>Name:</i> FOB Currency Unit, <i>Element:</i> MOA C516/6345
Data Rule:	see Appendix E for Currency Codes

5.2.3.27 Reason 13 (Lodge): GR0 GIS (Role – Certificate Print Indicator)

Segment Rule:	Optional. If not present, Certificate Print Indicator is defaulted to M.
Segment Rule:	If not equal to N, Certificate Required Location must be present.

Data Item:	<i>Name:</i> Certificate Print Indicator, <i>Element:</i> GIS C529/7365
Data Rule:	Must equal a Certificate Print Indicator Code (see Appendix E for Certificate Print Indicator Codes).
Data Rule:	If Commodity Type is 'M' (Meat), 'I' (Inedible Meat), 'D' (Dairy), 'E' (Eggs), or 'F' (Fish) then 'C' (Custom Certificate) may not be entered.

Data Item: *Name: Code List Responsible Agency, Element: GIS C529/3055*
Data Rule: Must equal AQ

Data Item: *Name: Code List Qualifier, Element: GIS C529/7187*
Data Rule: Must equal PHC.

5.2.3.28 Reason 13 (Lodge): GR0 GIS (Role – Separate Certificate Container Indicator)

Segment Rule: Optional. If not present, Separate Certificate Container Indicator is defaulted to N.

Data Item: *Name: Separate Certificate Container Indicator, Element: GIS C529/7365*
Data Rule: Must equal Y (Yes) or N (No). Y indicates a separate Certificate is required for each distinct Container Number on the RFP, N indicates standard collation of RFP lines onto Certificates is to apply.

Data Rule: If Commodity Type is set to 'G' (Grain) or 'H' (Horticulture) this data item must equal N (No).

Data Item: *Name: Code List Responsible Agency, Element: GIS C529/3055*
Data Rule: Must equal AQ

Data Item: *Name: Code List Qualifier, Element: GIS C529/7187*
Data Rule: Must equal SC.

5.2.3.29 Reason 13 (Lodge): GR0 GIS (Role – Separate Certificate Marks Indicator)

Segment Rule: Optional. If not present, Separate Certificate Marks Indicator is defaulted to N.

Data Item: *Name: Separate Certificate Marks Indicator, Element: GIS C529/7365*
Data Rule: Must equal Y (Yes) or N (No). Y indicates a separate Certificate is required for each distinct Shipping Marks on the RFP, N indicates standard collation of RFP lines onto Certificates is to apply.

Data Rule: If Commodity Type is set to 'G' (Grain) or 'H' (Horticulture) this data item must equal N (No).

Data Item: *Name: Code List Responsible Agency, Element: GIS C529/3055*
Data Rule: Must equal AQ

Data Item: *Name: Code List Qualifier, Element: GIS C529/7187*
Data Rule: Must equal SM.

5.2.3.30 Reason 13 (Lodge): GR0 GIS (Role – Separate Certificate Packer Indicator)

Segment Rule: Optional. If not present, Separate Certificate Packer Indicator is defaulted to N.

Data Item: *Name: Separate Certificate Packer Indicator, Element: GIS C529/7365*
Data Rule: Must equal Y (Yes) or N (No). Y indicates a separate Certificate is required for each distinct Packer Establishment on the RFP, N indicates standard collation of RFP lines onto Certificates is to apply.

Data Rule: If Commodity Type is set to 'G' (Grain) or 'H' (Horticulture) this data item must equal N (No).

Data Item: *Name: Code List Responsible Agency, Element: GIS C529/3055*
Data Rule: Must equal AQ

Data Item: *Name: Code List Qualifier, Element: GIS C529/7187*
Data Rule: Must equal SP.

5.2.3.31 Reason 13 (Lodge): GR0 GIS (Role – Ship Stores Indicator)

Segment Rule: Optional. If not present, Ship Stores Indicator is defaulted to N.
Segment Rule: If Commodity Type is NOT set to 'M' (Meat), Ship Stores Indicator will be converted to N.

Data Item: *Name: Ship Stores Indicator, Element: GIS C529/7365*
Data Rule: Must equal one of Y (Yes) or N (No). Yes means the RFP is for ship stores, No the converse.

Data Item: *Name: Code List Responsible Agency, Element: GIS C529/3055*
Data Rule: Must equal AQ

Data Item: *Name: Code List Qualifier, Element: GIS C529/7187*
Data Rule: Must equal SST.

5.2.3.32 Reason 13 (Lodge): GR0 GIS (Role – RFP Forward Status)

Segment Rule: Optional. If present, Forwardee EDI User Identifier must also be present.

Data Item: *Name: RFP Forward Status, Element: GIS C529/7365*
Data Rule: Must equal an RFP Compliance Status Code, but not EMHC, SUSP, or CANC (see Appendix E for RFP Compliance Status Codes).

Data Item: *Name: Code List Responsible Agency, Element: GIS C529/3055*
Data Rule: Must equal AQ

Data Item: *Name: Code List Qualifier, Element: GIS C529/7187*
Data Rule: Must equal FW.

5.2.3.33 Reason 13 (Lodge): GR0 GIS (Role – AMLC Quota Indicator)

Segment Rule: Conditional. Required if Commodity Type is set to 'M' (Meat) or 'D' (Dairy).

Segment Rule: Subject to above, if not present, AMLC Quota Indicator is defaulted to N.

Data Item: *Name: AMLC Quota Indicator, Element: GIS C529/7365*
Data Rule: Must equal one of Y (Yes) if AMLC Quota Year is supplied or N (No) if AMLC Quota Year is blank. Yes means the product on the RFP is to be counted towards AMLC quota allocations, No the converse.

Data Item: *Name: Code List Responsible Agency, Element: GIS C529/3055*
Data Rule: Must equal AQ

Data Item: *Name: Code List Qualifier, Element: GIS C529/7187*
Data Rule: Must equal QI.

5.2.3.34 Reason 13 (Lodge): GR0 GIS (Role – Customs Agent Indicator)

Segment Rule: Optional. If not present, Customs Agent Indicator is defaulted to N.

Segment Rule: If set to Y then EXDOC will validate messages against ACS requirements for mandatory data fields and syntax.

Data Item: *Name: Customs Agent Indicator, Element: GIS C529/7365*

Data Rule: Must equal one of Y (Yes) or N (No). Yes means the EXDOC is to act as a Customs Agent for this RFP, No the converse.

Data Item: *Name: Code List Responsible Agency, Element: GIS C529/3055*

Data Rule: Must equal AQ

Data Item: *Name: Code List Qualifier, Element: GIS C529/7187*

Data Rule: Must equal ACS.

5.2.3.35 Reason 13 (Lodge): GR0 GIS (Role – Declaration Estimate Indicator)

Segment Rule: Conditional. Must not be present if Customs Agent Indicator equals N.

Segment Rule: If Customs Agent Indicator equal to Y and Declaration Estimate Indicator not present, Declaration Estimate Indicator is defaulted to N.

Data Item: *Name: Declaration Estimate Indicator, Element: GIS C529/7365*

Data Rule: Must equal a Declaration Estimate Indicator Code (see Appendix E for Declaration Estimate Indicator Codes).

Data Item: *Name: Code List Responsible Agency, Element: GIS C529/3055*

Data Rule: Must equal AQ

Data Item: *Name: Code List Qualifier, Element: GIS C529/7187*

Data Rule: Must equal DCT.

Note that this item exists for historical reasons, and that EXDOC will always send information to ICS as non-confirming.

5.2.3.36 Reason 13 (Lodge): GR0 GIS (Role – Declaration of Compliance Indicator)

Segment Rule: Conditional. Required if Commodity Type is set to 'D' (Dairy), 'E' (Eggs), 'F' (Fish), 'G' (Grains), 'H' (Horticulture) or 'M' (Meat).

Segment Rule: The Exporter Software must display the following text for 'D' (Dairy), 'E' (Eggs) or 'F' (Fish) commodities when collecting the data for this segment:

Is the exporter in possession of either:

- a. **A declaration that complies with Part 4 of Chapter 7 of the relevant Rules: or**
- b. **A written notice provided by an assessor made under subsection 9-20(2) of Chapter 9 of the relevant Rules (Y/N)**

Segment Rule: The Exporter Software must display the following text for 'G' (Grains) or 'H' (Horticulture) commodities when collecting the data for this segment:

Do you declare that :

- i. **the importing country requirements applicable to the goods have been verified with importing country's National Plant Protection Organisation, and any changes have been provided to the department;**

ii. the goods have been prepared in accordance with relevant conditions or restrictions prescribed under the Export Control Act 2020 and, where required, are ready for assessment;

iii. the information supplied on this form is true and correct.

Note: A person may commit an offence or be liable to a civil penalty under the Export Control Act 2020 or Criminal Code Act 1995 if the person makes a false or misleading statement in an application or provides false or misleading information or documents.

Segment Rule: The Exporter Software must display the following text for 'M' (Meat) commodity when collecting the data for this segment:

Do you declare that you have evidence supporting:

i. the importing country requirements applicable to the goods have been met or will be met before the goods are imported into the importing country

ii. the goods have been prepared in compliance with the Export Control Act 2020

iii. I have supervised, or have been given a declaration by the person who supervised, the loading of the goods to which this application relates stating that the prescribed export conditions, and any other conditions that apply in relation to the goods under the Act, have been complied with; and the importing country requirements relating to the goods are met

iv. the information supplied on this form is true and correct.

Note: A person may commit an offence or be liable to a civil penalty under the Export Control Act 2020 or Criminal Code Act 1995 if the person makes a false or misleading statement in an application or provides false or misleading information or documents.

Data Item: *Name: Declaration of Compliance Indicator, Element: GIS C529/7365*
Data Rule: Must equal one of Y (Yes) or N (No).

Data Item: *Name: Code List Responsible Agency, Element: GIS C529/3055*
Data Rule: Must equal AQ

Data Item: *Name: Code List Qualifier, Element: GIS C529/7187*
Data Rule: Must equal DOC.

5.2.3.37 Reason 13 (Lodge): GR0 GIS (Role – True and Complete Indicator)

Segment Rule: Conditional. Required if Commodity Type is set to 'D' (Dairy), 'E' (Eggs), 'F' (Fish) or 'M' (Meat).

Segment Rule: The Exporter Software must display the following text for 'D' (Dairy), 'E' (Eggs) or 'F' (Fish) commodities when collecting the data for this segment:

1) Is all the information given in this application for an export permit true and complete? [Y or N]

Segment Rule: The Exporter Software must display the following text for 'M' (Meat) commodity when collecting the data for this segment:

Do you have effective measures in place to ensure that the information contained in this request for permit is accurate and complete? [Y or N]

Note: For criminal penalties applying to persons who make false or misleading statements to a Commonwealth entity see the Criminal Code Act 1995 Part 7.4 (false or misleading statements).

Data Item: *Name:* True and Complete Indicator, *Element:* GIS C529/7365

Data Rule: Must equal one of Y (Yes) or N (No).

Data Item: *Name:* Code List Responsible Agency, *Element:* GIS C529/3055

Data Rule: Must equal AQ

Data Item: *Name:* Code List Qualifier, *Element:* GIS C529/7187

Data Rule: Must equal TAC.

5.2.3.38 Reason 13 (Lodge): GR0 GIS (Role – Imported Product Flag)

Segment Rule: Conditional. Required if Commodity Type is set to 'D' (DAIRY) or 'F' (Fish).

Segment Rule: The Exporter Software must display the following text when collecting the data for this segment:

For Dairy: **Do any of the products listed in this RFP contain imported dairy ingredients, other than from New Zealand?**

For Fish: **Are any of the products listed in the RFP imported?**

Data Item: *Name:* Imported Product Flag, *Element:* GIS C529/7365

Data Rule: Must equal one of Y (Yes) or N (No).

Data Item: *Name:* Code List Responsible Agency, *Element:* GIS C529/3055

Data Rule: Must equal AQ

Data Item: *Name:* Code List Qualifier, *Element:* GIS C529/7187

Data Rule: Must equal IPF.

5.2.3.39 Reason 13 (Lodge): GR0 GIS (Role – Product Use Indicator)

Segment Rule: Optional. May only be supplied if Commodity Type is set to 'D' (Dairy), 'I' (Inedible Meat), 'M' (Meat), 'S' (Skins and Hides) or 'W' (Wool), otherwise not allowed.

Data Item: *Name:* Product Use Indicator, *Element:* GIS C529/7365
Data Rule: Must equal a Product Use Indicator Code (see Appendix E for Product Use Indicator Codes).

Data Item: *Name:* Code List Responsible Agency, *Element:* GIS C529/3055
Data Rule: Must equal AQ

Data Item: *Name:* Code List Qualifier, *Element:* GIS C529/7187
Data Rule: Must equal PUI.

5.2.3.40 Reason 13 (Lodge): GR1 DOC (Role – Import Permit Number)

Segment Rule: Optional.
Segment Rule: Repeats allowed.

Data Item: *Name:* Document Name, *Element:* DOC C002/1001
Data Rule: Must equal 911 (Import Licence).

Data Item: *Name:* Import Permit Number, *Element:* DOC C503/1004
Data Rule: Free format text. Must be non-blank.

5.2.3.41 Reason 13 (Lodge): GR1 DTM (Role – Import Permit Date)

Segment Rule: Optional.

Data Item: *Name:* Date/time/period Qualifier, *Element:* DTM C507/2005
Data Rule: Must equal 137 (Document Date).

Data Item: *Name:* Import Permit Date, *Element:* DTM C507/2380
Data Rule: Must equal a date of the prescribed format.

Data Item: *Name:* Date/time/period Format Qualifier, *Element:* DTM C507/2379
Data Rule: Is set to 102 (ccyymmdd).

5.2.3.42 Reason 13 (Lodge): GR1 DOC (Role – Recommendation Letter Number)

Segment Rule: Optional.
Segment Rule: Repeats allowed.

Data Item: *Name:* Document Name, *Element:* DOC C002/1001
Data Rule: Must equal 916 (Related Document).

Data Item: *Name:* Recommendation Letter Number, *Element:* DOC C503/1004
Data Rule: Free format text. Must be non-blank.

5.2.3.43 Reason 13 (Lodge): GR1 DTM (Role – Recommendation Letter Date)

Segment Rule: Optional.

Data Item: *Name:* Date/time/period Qualifier, *Element:* DTM C507/2005
Data Rule: Must equal 242 (Document Preparation Date).

Data Item: *Name:* Recommendation Letter Date, *Element:* DTM C507/2380
Data Rule: Must equal a date of the prescribed format.

Data Item: *Name:* Date/time/period Format Qualifier, *Element:* DTM C507/2379
Data Rule: Is set to 102 (ccyymmdd).

5.2.3.44 Reason 13 (Lodge): GR2 PNA (Role – Owner Exporter Number)

Segment Rule: Mandatory.

Data Item: *Name:* Party Qualifier, *Element:* PNA 3035
Data Rule: Must equal EX (Exporter).

Data Item: *Name:* Owner Exporter Number, *Element:* PNA C206/7402
Data Rule: Must equal a current Exporter Number.

5.2.3.45 Reason 13 (Lodge): GR3 CTA (Role – Forwardee EDI User Identifier)

Segment Rule: Optional. If present, RFP Forward Status must also be present.

Segment Rule: Subordinate to Owner Exporter Number GR2 PNA.

Data Item: *Name:* Contact Function, *Element:* CTA 3139
Data Rule: Must equal AG (Agent).

Data Item: *Name:* Forwardee EDI User Identifier, *Element:* CTA C056/3413
Data Rule: Must be an EDI User Identifier able to operate on behalf of the Owner Exporter.

Data Rule: Must not be the current Owner EDI User Identifier for the RFP (as derived from the interchange or file header details).

5.2.3.46 Reason 13 (Lodge): GR2 PNA (Role – Consignee Name)

Segment Rule: Mandatory if Certificate is not required, otherwise optional but must be present before the Certificate can be produced.

Data Item: *Name:* Party Qualifier, *Element:* PNA 3035
Data Rule: Must equal CN (Consignee).

Data Item: *Name:* Consignee Reference Number, *Element:* PNA C206/7402
Data Rule: Not allowed if Commodity Type is set to 'G' (Grains and Seeds) or 'H' (Horticulture).

Data Rule: Subject to above, optional.

Data Item: *Name:* Declaring Agent Number, *Element:* PNA C082/3039
Data Rule: Not allowed if Commodity Type is set to 'G' (Grains and Seeds) or 'H' (Horticulture).

Data Rule: Subject to above, optional.

Data Item: *Name:* Name Component Qualifier, *Element:* PNA C816/3405
Data Rule: Must equal 10 (Full Name).

Data Item: *Name:* Consignee Name, *Element:* PNA C816/3398
Data Rule: Free format text. Must be non-blank.

Data Rule: Maximum length dependant on Commodity Type and destination.

Note: If equal to TO ORDER, RFP Compliance is set to INIT or INSP.

5.2.3.47 Reason 13 (Lodge): GR2 ADR (Role – Consignee Address)

Segment Rule: Optional. If present, at least one of the optional data elements must be present.

Segment Rule: An owner Consignee Name must be present (GR2 PNA).

Data Item: *Name:* Address Format, *Element:* ADR C090/3477

Data Rule: Conditional. Must be present if Consignee Street is present.

Data Rule: Must be 5 (Unstructured Street Address).

Data Item: *Name:* Consignee Street, *Element:* ADR C090/3286

Data Rule: Optional.

Data Rule: Minimum 1 and maximum 2 repeats.

Data Rule: Free format text. Each repeat must be non-blank.

Data Item: *Name:* Consignee City, *Element:* ADR 3164

Data Rule: Optional.

Data Rule: For Customs purposes, “unknown” may be used here.

Data Rule: Free format text.

Data Item: *Name:* Consignee Postcode, *Element:* ADR 3251

Data Rule: Optional.

Data Rule: Free format text. Must be non-blank.

Data Item: *Name:* Consignee Country, *Element:* ADR 3207

Data Rule: Optional.

Data Rule: If present, must equal a Country Code (see Appendix E for Country Codes).

Data Item: *Name:* Consignee State, *Element:* ADR C819/3228

Data Rule: Optional.

Data Rule: Free format text. Must be non-blank.

5.2.3.48 Reason 13 (Lodge): GR2 FTX (Role – Consignee TRACES Approval ID)

Segment Rule: Conditional – must be present before an electronic certificate for the EU TRACES import system can be produced.

Data Item: *Name:* Text Subject Qualifier, *Element:* FTX 4451

Data Rule: Must be ZZZ (Mutually defined).

Data Item: *Name:* Text function, coded, *Element:* FTX 4453

Data Rule: Must equal 4 (No action required).

Data Item: *Name:* Free text identification, *Element:* FTX C107/4441

Data Rule: Must equal TRACESCONSIGNEEID.

Data Item: *Name:* Code list qualifier, *Element:* FTX C107/1131

Data Rule: Must equal 160 (Party identifier).

Data Item: *Name:* Code list responsible agency, coded, *Element:* FTX C107/3055

Data Rule: Must equal AQ.

Data Item: *Name:* Consignee TRACES Approval ID, *Element:* FTX C108/4440
Data Rule: Minimum 1, maximum 2 repeats. Each repeat must be non-blank.
Concatenation of repeats must equal a valid EU TRACES Consignee Approval Number.

Data Item: *Name:* Language, coded, *Element:* FTX 3453
Data Rule: Must be blank.

5.2.3.49 Reason 13 (Lodge): GR3 CTA (Role – Consignee Contact Details)

Segment Rule: Optional.

Segment Rule: An owner Consignee Name must be present (GR2 PNA).

Data Item: *Name:* Contact Function, *Element:* CTA 3139
Data Rule: Must equal CN (Consignee).

5.2.3.50 Reason 13 (Lodge): GR3 COM (Role – Consignee Phone Number)

Segment Rule: Optional.

Segment Rule: An owner Consignee Contact Details must be present (GR3 CTA).

Data Item: *Name:* Consignee Phone Number, *Element:* COM C076/3148
Data Rule: Free format text. Must be non-blank.

Data Item: *Name:* Communication Number, *Element:* COM C076/3155
Data Rule: Must equal TE (Telephone).

5.2.3.51 Reason 13 (Lodge): GR2 PNA (Role – Consignee Representative Name)

Segment Rule: Conditional. Must only be present if Commodity Type is set to 'M' (Meat).

Segment Rule: Subject to above, must be present if required by the combination of product and destination.

Segment Rule: Subject to above, mandatory if Certificate is not required, otherwise optional but must be present before the certificate can be produced.

Segment Rule: An owner Consignee Name must be present (GR2 PNA).

Data Item: *Name:* Party Qualifier, *Element:* PNA 3035
Data Rule: Must equal CX (Consignee's Agent).

Data Item: *Name:* Name Component Qualifier, *Element:* PNA C816/3405
Data Rule: Must equal 10 (Full Name).

Data Item: *Name:* Consignee Representative Name, *Element:* PNA C816/3398
Data Rule: Free format text. Must be non-blank.

5.2.3.52 Reason 13 (Lodge): GR3 CTA (Role – Consignee Representative Name)

Segment Rule: Conditional. Not allowed if Commodity Type is set to 'G' (Grains and Seeds), 'H' (Horticulture) or 'M' (Meat).

Data Rule: Subject to above, conditional. Must be present if required by the combination of product and destination.

Segment Rule: Subject to above, mandatory if Certificate is not required, otherwise optional but must be present before the certificate can be produced.

Segment Rule: An owner Consignee Name must be present (GR2 PNA).

Data Item: *Name: Party Qualifier, Element: CTA 3139*
Data Rule: Must equal AG (Agent).

Data Item: *Name: Consignee Representative Name, Element: CTA C056/3412*
Data Rule: Free format text. Must be non-blank.

5.2.3.53 Reason 13 (Lodge): GR2 PNA (Role – Person Responsible for Consignment)

Segment Rule: Optional.

Data Item: *Name: Party Qualifier, Element: PNA 3035*
Data Rule: Must equal AL (Party accepting liability for goods held or moving (e.g. transit) under a Customs authorization and - when applicable - a guarantee).

Data Item: *Name: Name Component Qualifier, Element: PNA C816/3405*
Data Rule: Must equal 10 (Full Name).

Data Item: *Name: Person Responsible Name, Element: PNA C816/3398*
Data Rule: Free format text. Must be non-blank.

5.2.3.54 Reason 13 (Lodge): GR2 ADR (Role – Person Responsible Address)

Segment Rule: Optional. Must be provided if an owner Person Responsible for Consignment is present.

Segment Rule: Can only be provided if an owner Person Responsible for Consignment is present.

Segment Rule: If present, at least one of the optional data elements must be present.

Data Item: *Name: Address Format, Element: ADR C090/3477*
Data Rule: Conditional. Must be present if Person Responsible Street is present.
Data Rule: Must be 5 (Unstructured Street Address).

Data Item: *Name: Person Responsible Street, Element: ADR C090/3286*
Data Rule: Optional.
Data Rule: Minimum 1 and maximum 2 repeats.
Data Rule: Free format text. Each repeat must be non-blank.

Data Item: *Name: Person Responsible City, Element: ADR 3164*
Data Rule: Optional.
Data Rule: Free format text.

Data Item: *Name: Person Responsible Postcode, Element: ADR 3251*
Data Rule: Optional.
Data Rule: Free format text. Must be non-blank.

Data Item: *Name: Person Responsible Country, Element: ADR 3207*
Data Rule: Optional.
Data Rule: If present, must equal a Country Code (see Appendix E for Country Codes).

5.2.3.55 Reason 13 (Lodge): GR3 CTA (Role – Person Responsible Contact Details)

Segment Rule: Optional.

Segment Rule: An owner Person Responsible for Consignment must be present.

Data Item: *Name:* Contact Function, *Element:* CTA 3139
Data Rule: Must equal AL.

5.2.3.56 Reason 13 (Lodge): GR3 COM (Role – Person Responsible Phone Number)

Segment Rule: Optional.

Segment Rule: An owner Person Responsible Contact Details must be present.

Data Item: *Name:* Person Responsible Phone Number, *Element:* COM C076/3148
Data Rule: Free format text. Must be non-blank.

Data Item: *Name:* Communication Number, *Element:* COM C076/3155
Data Rule: Must equal TE (Telephone).

5.2.3.57 Reason 13 (Lodge): GR2 PNA (Role – Place of Destination)

Segment Rule: Optional.

Data Item: *Name:* Party Qualifier, *Element:* PNA 3035
Data Rule: Must equal GG (Warehouse).

Data Item: *Name:* Place of Destination Approval Number, *Element:* PNA C206/7402
Data Rule: Optional.

Data Item: *Name:* Place of Destination Type Identifier, *Element:* PNA C082/3039
Data Rule: Must equal C (for Custom Warehouse) or S (for Ship Supplier).

Data Item: *Name:* Name Component Qualifier, *Element:* PNA C816/3405
Data Rule: Must equal 10 (Full Name).

Data Item: *Name:* Place of Destination Name, *Element:* PNA C816/3398
Data Rule: Free format text. Must be non-blank.

5.2.3.58 Reason 13 (Lodge): GR2 ADR (Role – Place of Destination Address)

Segment Rule: Optional. Must be provided if an owner Place of Destination is present.

Segment Rule: Can only be provided if an owner Place of Destination is present.

Segment Rule: If present, at least one of the optional data elements must be present.

Data Item: *Name:* Address Format, *Element:* ADR C090/3477
Data Rule: Conditional. Must be present if Place of Destination Street is present.
Data Rule: Must be 5 (Unstructured Street Address).

Data Item: *Name:* Place of Destination Street, *Element:* ADR C090/3286
Data Rule: Optional.
Data Rule: Minimum 1 and maximum 2 repeats.
Data Rule: Free format text. Each repeat must be non-blank.

Data Item: *Name:* Place of Destination City, *Element:* ADR 3164
Data Rule: Optional.
Data Rule: Free format text.

Data Item: *Name:* Place of Destination Postcode, *Element:* ADR 3251
Data Rule: Optional.

Data Rule: Free format text. Must be non-blank.

Data Item: *Name:* Place of Destination Country, *Element:* ADR 3207

Data Rule: Optional.

Data Rule: If present, must equal a Country Code (see Appendix E for Country Codes).

5.2.3.59 Reason 13 (Lodge): GR3 CTA (Role – Place of Destination Contact Details)

Segment Rule: Optional.

Segment Rule: An owner Place of Destination must be present.

Data Item: *Name:* Contact Function, *Element:* CTA 3139

Data Rule: Must equal GG.

5.2.3.60 Reason 13 (Lodge): GR3 COM (Role – Place of Destination Phone Number)

Segment Rule: Optional.

Segment Rule: An owner Place of Destination Contact Details must be present.

Data Item: *Name:* Place of Destination Phone Number, *Element:* COM C076/3148

Data Rule: Free format text. Must be non-blank.

Data Item: *Name:* Communication Number, *Element:* COM C076/3155

Data Rule: Must equal TE (Telephone).

5.2.3.61 Reason 13 (Lodge): GR4 TDT (Role – Transport Details)

Segment Rule: Mandatory. A single TDT Transport Details segment is mandatory for all commodities.

Data Item: *Name:* Transport Stage Qualifier, *Element:* TDT 8051

Data Rule: Must equal 12 (At Departure).

Data Item: *Name:* Voyage/Flight Number, *Element:* TDT 8028

Data Rule: Optional if Commodity Type equals 'G' (Grain) and Transport Mode equals 1 (Maritime).

Data Rule: Subject to above, mandatory if Transport Mode equals 1 (Maritime) or 4 (Air), otherwise optional.

Data Rule: Subject to above, mandatory if Certificate is not required, otherwise optional but must be present before the Certificate can be produced.

Data Rule: Free format text. Must be non-blank.

Data Item: *Name:* Transport Mode, *Element:* TDT C220/8067

Data Rule: Must equal a Transport Mode (see Appendix E for Transport Mode Codes).

Data Item: *Name:* Shipping Company or Carrier Name, *Element:* TDT C040/3128

Data Rule: Free format text.

Data Item: *Name:* Vessel Name, *Element:* TDT C222/8212

Data Rule: Conditional. Must be present if Transport Mode equals 1 (Maritime), otherwise optional.

Data Rule: Subject to above, mandatory if Certificate is not required, otherwise optional but must be present before the Certificate can be produced.

Data Rule: Free format text. Must be non-blank.

5.2.3.62 Reason 13 (Lodge): GR4 DTM (Role – Departure Date)

Segment Rule: Conditional. Must be present if Customs Agent Indicator equals Y.

Segment Rule: Subject to above, mandatory if Certificate is not required, otherwise optional but must be present before the Certificate can be produced.

Data Item: *Name:* Date/time/period Qualifier, *Element:* DTM C507/2005

Data Rule: Must equal 136 (Departure Date).

Data Item: *Name:* Departure Date, *Element:* DTM C507/2380

Data Rule: Must equal a date of the prescribed format.

Data Item: *Name:* Date/time/period Format Qualifier, *Element:* DTM C507/2379

Data Rule: Must equal 102 (ccyymmdd).

5.2.3.63 Reason 13 (Lodge): GR6 EQD (Role – Vessel Hold)

Segment Rule: Conditional. Not supplied unless the Inspection Establishment, the Inspector and the EDI User are AQA authorised.

Segment Rule: Subject to above, optional. Only present if seals are applied to a level of conveyance higher than a container, for example a ship hold.

Data Item: *Name:* Equipment Identifier, *Element:* EQD 8053

Data Rule: Must equal VH (Vessel Hold).

5.2.3.64 Reason 13 (Lodge): GR7 SEL (Role – Vessel Hold Seals)

Segment Rule: Not allowed if Commodity Type is set to 'G' (Grains and Seeds) or 'H' (Horticulture).

Segment Rule: Subject to above, conditional. Not supplied unless the Inspection Establishment, the Inspector and the EDI User are AQA authorised.

Data Item: *Name:* Start Seal Number, *Element:* SEL 9308

Data Rule: First 9308 equals seal number, possibly the start number in a range.

Data Item: *Name:* End Seal Number, *Element:* SEL 9308

Data Rule: Optional.

Data Rule: Second 9308, if a range of seals is applied, equals the end seal number in the range.

5.2.3.65 Reason 13 (Lodge): GR8 PRC (Role – Inspection Process)

Segment Rule: Not allowed if Commodity Type set to 'W' (Wool).

Segment Rule: Subject to above, conditional if Commodity Type set to 'S' (Skins and Hides) and required by the combination of product and destination.

Segment Rule: Subject to above, conditional if Commodity Type set to 'I' (Inedible Meats).

Segment Rule: Subject to above, mandatory for all other Commodity Types.

Data Item: *Name:* Process Type Identification, *Element:* PRC C242/7187

Data Rule: Must equal IN for Inspection Process.

Data Item: *Name:* Code List Qualifier, *Element:* PRC C242/1131

Data Rule: Must equal PP (Product Process).

Data Item: *Name:* Code List Responsible Agency, *Element:* PRC C242/3055
Data Rule: Must equal AQ

5.2.3.66 Reason 13 (Lodge): GR8 DTM (Role – Inspection Requested Date)

Segment Rule: May only be present if parent PRC segment is specified.
Segment Rule: Subject to above, not allowed if Commodity Type set to 'G' (Grains and Seeds), 'H' (Horticulture), 'S' (Skins and Hides) or 'W' (Wool).

Segment Rule: Subject to above, optional.

Data Item: *Name:* Date/time/period Qualifier, *Element:* DTM C507/2005
Data Rule: Must equal 318 (Request Date).

Data Item: *Name:* Inspection Requested Date, *Element:* DTM C507/2380
Data Rule: Must equal a date of the prescribed format.
Data Rule: Must be less than or equal to Departure Date, and greater than or equal to the latest Packing/Processing End Date.

Data Item: *Name:* Date/time/period Format Qualifier, *Element:* DTM C507/2379
Data Rule: Value must equal 102 (ccyymmdd).

5.2.3.67 Reason 13 (Lodge): GR8 DTM (Role – RFP Authorised Start Date)

Segment Rule: May only be present if parent PRC segment is specified.
Segment Rule: Subject to above, optional. May be supplied if Commodity Type is set to 'G' (Grains) or 'H' (Horticulture), otherwise not allowed.

Data Item: *Name:* Date/time/period Qualifier, *Element:* DTM C507/2005
Data Rule: Must equal 194 (Start Date).

Data Item: *Name:* RFP Authorised Start Date, *Element:* DTM C507/2380
Data Rule: Must equal a date of the prescribed format.
Data Rule: Must be less than or equal to RFP Authorised End Date, less than or equal to Departure Date, and greater than or equal to the latest Packing End Date.

Data Item: *Name:* Date/time/period Format Qualifier, *Element:* DTM C507/2379
Data Rule: Must equal 102 (ccyymmdd).

5.2.3.68 Reason 13 (Lodge): GR8 DTM (Role – RFP Authorised End Date)

Segment Rule: May only be present if parent PRC segment is specified.
Segment Rule: Subject to above, not allowed to be supplied if Commodity Type is set to 'D' (Dairy), otherwise optional.

Data Item: *Name:* Date/time/period Qualifier, *Element:* DTM C507/2005
Data Rule: Must equal 119 (Test Performed Date).

Data Item: *Name:* RFP Authorised End Date, *Element:* DTM C507/2380
Data Rule: Must equal a date of the prescribed format.
Data Rule: Must be less than or equal to Departure Date, and greater than or equal to the latest Packing End Date.

Data Item: *Name:* Date/time/period Format Qualifier, *Element:* DTM C507/2379

Data Rule: Must equal 102 (ccyymmdd).

5.2.3.69 Reason 13 (Lodge): GR9 PNA (Role – RFP Authorisation Establishment Number)

Segment Rule: May only be present if parent PRC segment is specified.

Segment Rule: Subject to above, conditional if Commodity Type set to 'S' (Skins and Hides) and required by the combination of product and destination.

Segment Rule: Subject to above, mandatory for all other Commodity Types.

Data Item: *Name:* Party Qualifier, *Element:* PNA 3035

Data Rule: Must equal FO (Party Performing Inspection).

Data Item: *Name:* Establishment Number, *Element:* PNA C206/7402

Data Rule: If Commodity Type is set to 'G' (Grains) or 'H' (Horticulture) may be a Print Region or Region (see Appendix E for Print Region and Region codes).

Data Rule: Subject to above, must equal an Establishment Number.

5.2.3.70 Reason 13 (Lodge): GR9 PNA (Role – RFP Authorising Officer Identifier)

Segment Rule: May only be present if parent PRC segment is specified.

Segment Rule: Subject to above, not allowed if Commodity Type set to 'W' (Wool) or 'S' (Skins and Hides).

Segment Rule: subject to above, conditional. Not supplied unless the Inspection Establishment, the Inspector and the EDI User are AQA authorised.

Data Item: *Name:* Party Qualifier, *Element:* PNA 3035

Data Rule: Must equal AV (Authorising Official).

Data Item: *Name:* RFP Authorising Officer Identifier, *Element:* PNA C206/7402

Data Rule: Must equal an Authorised AQA User Identifier.

Data Rule: The data stored in this field should never be displayed to the user or on any printed report.

5.2.3.71 Reason 13 (Lodge): GR8 PRC (Role – Ships Hold Inspection Process)

Segment Rule: Conditional. Required if a Ships Hold Inspection certificate is required.

Segment Rule: May only be supplied if Commodity Type is set to 'G' (Grains). 4 repeats are allowed.

Data Item: *Name:* Process Type Identification, *Element:* PRC C242/7187

Data Rule: Must equal SH (Ships Hold Inspection).

Data Item: *Name:* Code List Qualifier, *Element:* PRC C242/1131

Data Rule: Must equal PP (Product Process).

Data Item: *Name:* Code List Responsible Agency, *Element:* PRC C242/3055

Data Rule: Must equal AQ

5.2.3.72 Reason 13 (Lodge): GR8 IMD (Role – Compartments)

Segment Rule: Mandatory. Requires a parent Ships Hold Inspection Process segment.

Data Item: *Name:* Compartment Identification, *Element:* IMD C273/7009

Data Rule: Must equal CM (Compartment).

Data Item: *Name:* Compartments, *Element:* IMD C273/7008

Data Rule: Free format text, must be non-blank.

5.2.3.73 Reason 13 (Lodge): GR8 IMD (Role – Inspect Port)

Segment Rule: Mandatory. Requires a parent Ships Hold Inspection Process segment.

Data Item: *Name:* Inspection Port Identification, *Element:* IMD C273/7009

Data Rule: Must equal IP (Inspection Port).

Data Item: *Name:* Inspection Port, *Element:* IMD C273/7008

Data Rule: Free format text, must be non-blank.

5.2.3.74 Reason 13 (Lodge): GR8 DTM (Role – Ships Hold Inspection Date)

Segment Rule: Mandatory. Requires a parent Ships Hold Inspection Process segment.

Data Item: *Name:* Date/time/period Qualifier, *Element:* DTM C507/2005

Data Rule: Must equal 351 (Inspection Date).

Data Item: *Name:* Ships Hold Inspection Date, *Element:* DTM C507/2380

Data Rule: Must equal a date of the prescribed format.

Data Item: *Name:* Date/time/period Format Qualifier, *Element:* DTM C507/2379

Data Rule: Must equal 102 (ccyymmdd).

5.2.3.75 Reason 13 (Lodge): GR8 PRC (Role – Storage Process)

Segment Rule: Not allowed if Commodity Type is set to 'G' (Grains and Seeds) or 'H' (Horticulture).

Segment Rule: Subject to above, conditional, if required by the combination of product and destination.

Data Item: *Name:* Process Type Identification, *Element:* PRC C242/7187

Data Rule: Must equal ST for Storage Process.

Data Item: *Name:* Code List Qualifier, *Element:* PRC C242/1131

Data Rule: Must equal PP (Product Process).

Data Item: *Name:* Code List Responsible Agency, *Element:* PRC C242/3055

Data Rule: Must equal AQ

5.2.3.76 Reason 13 (Lodge): GR9 PNA (Role – Storage Establishment Number)

Segment Rule: Conditional. Must be supplied if parent PRC segment is specified.

Data Item: *Name:* Party Qualifier, *Element:* PNA 3035

Data Rule: Must equal MP (Manufacturing Plant).

Data Item: *Name:* Establishment Number, *Element:* PNA C206/7402

Data Rule: Must equal a registered Establishment Number.

Data Rule: Whilst not under the control of the Exporter System, the establishment will be validated by EXDOC to ensure it was able to perform the nominated process for the nominated product in the nominated period.

5.2.3.77 Reason 13 (Lodge): GR9 PNA (Role – Approved Certifier)

Segment Rule: Not allowed if Commodity Type is not set to 'M' (Meat).

Segment Rule: Subject to above, optional. Must be present if required by the extra Certificate.

Data Item: *Name:* Party Qualifier, *Element:* PNA 3035

Data Rule: Must Equal to PQ(Certifying Party).

Data Item: *Name:* Approved Certifier, *Element:* PNA C206/7402

Data Rule: must equal to a valid combination of Type and Code (see Appendix E for Approved Certifier Codes).

5.2.3.78 Reason 13 (Lodge): GR11 LIN (Role – Line Identifier)

Segment Rule: Mandatory. At least one LIN must be present. Additional LIN segments are optional to a maximum of 99 lines per RFP.

Data Item: *Name:* Line Number, *Element:* LIN 1082

Data Rule: Must start at 1, be ascending and contiguous.

5.2.3.79 Reason 13 (Lodge): GR11 MEA (Role – Line Net Quantity)

Segment Rule: Conditional. Must be present if Customs Agent Indicator equals Y.

Segment Rule: Subject to above, mandatory if Certificate is not required, otherwise optional but must be present before the Certificate can be produced.

Data Item: *Name:* Measure Application Qualifier, *Element:* MEA 6311

Data Rule: Must equal AAA (Line Item Measurement).

Data Item: *Name:* Measure Dimension Coded, *Element:* MEA C502/6313

Data Rule: Must equal SQ (Shipped Quantity).

Data Item: *Name:* Net Unit, *Element:* MEA C174/6411

Data Rule: Must equal a Measurement Unit (see Appendix E for Metric Weight and Measurement Unit Codes).

Data Item: *Name:* Net Amount, *Element:* MEA C174/6314

Data Rule: Must be a numeric measurement value.

5.2.3.80 Reason 13 (Lodge): GR11 MEA (Role – Line Imperial Net Weight)

Segment Rule: Conditional. Must be present if required by the combination of product and destination.

Segment Rule: Subject to above, only allowed if Commodity Type is set to 'M' (Meat), 'I' (Inedible), 'E' (Eggs) or 'F' (Fish).

Data Item: *Name:* Measure Application Qualifier, *Element:* MEA 6311

Data Rule: Must equal AAI (Item Weight).

Data Item: *Name:* Measure Dimension Coded, *Element:* MEA C502/6313

Data Rule: Must equal AAL (Net Weight).

Data Item: *Name:* Line Imperial Net Weight Unit, *Element:* MEA C174/6411

Data Rule: Must equal an Imperial Weight Unit (see Appendix E for Imperial Weight Unit Codes).

Data Item: *Name:* Line Imperial Net Weight Amount, *Element:* MEA C174/6314

Data Rule: Must be a numeric measurement value.

5.2.3.81 Reason 13 (Lodge): GR11 MEA (Role – Line Metric Gross Weight)

Segment Rule: Conditional. Must be present if required by the combination of product and destination.

Segment Rule: Subject to above, mandatory if Certificate is not required, otherwise optional but must be present before the Certificate can be produced.

Segment Rule: Subject to above, mandatory if Customs Agent Indicator is set to Y.

Data Item: *Name:* Measure Application Qualifier, *Element:* MEA 6311

Data Rule: Must equal AAI (Item Weight).

Data Item: *Name:* Measure Dimension Coded, *Element:* MEA C502/6313

Data Rule: Must equal AAE (Gross Weight).

Data Item: *Name:* Line Metric Gross Weight Unit, *Element:* MEA C174/6411

Data Rule: Must equal a Metric Weight Unit (see Appendix E for Metric Weight Unit Codes).

Data Rule: Must be either kilograms (KGM) or tonnes (TNE) if Customs Agent Indicator is set to Y.

Data Item: *Name:* Line Metric Gross Weight Amount, *Element:* MEA C174/6314

Data Rule: Must be a numeric measurement value.

5.2.3.82 Reason 13 (Lodge): GR11 MEA (Role – Drained Weight)

Segment Rule: Optional. May only be supplied if Commodity Type is set to 'F' (Fish).

Data Item: *Name:* Measure Application Qualifier, *Element:* MEA 6311

Data Rule: Must equal AAI (Item Weight).

Data Item: *Name:* Measure Dimension Coded, *Element:* MEA C502/6313

Data Rule: Must equal AAF (Net Weight).

Data Item: *Name:* Measure Unit Qualified, *Element:* MEA C174/6411

Data Rule: Must equal a valid weight measurement unit (See Appendix E for Metric Weight Unit Codes).

Data Item: *Name:* Drained Weight Amount, *Element:* MEA C174/6314

Data Rule: Must be a numeric measurement value.

5.2.3.83 Reason 13 (Lodge): GR11 MEA (Role – Line Customs Weight)

Segment Rule: Conditional.

Data Item: *Name:* Measure Application Qualifier, *Element:* MEA 6311

Data Rule: Must equal AAF (Customs Line Item Measurement).

Data Item: *Name:* Measure Dimension Coded, *Element:* MEA C502/6313

Data Rule: Must equal SQ (Shipped Quantity).

Data Item: *Name:* Weight Unit, *Element:* MEA C174/6411

Data Rule: Must equal a Measurement Unit (see Appendix E for Customs Weight Unit Codes) if Customs Agent Indicator is set to Y and Commodity is set to 'D' (Dairy), 'G' (Grain), 'H' (Horticulture) or 'S' (Skins and Hides).

Data Item: *Name:* Weight Amount, *Element:* MEA C174/6314

Data Rule: Must be a numeric measurement value.

5.2.3.84 Reason 13 (Lodge): GR11 MEA (Role – Percentage of milk protein)

Segment Rule: Optional. May only be supplied if Commodity Type is set to 'D' (Dairy).

Data Item: *Name:* Measure Application Qualifier, *Element:* MEA 6311

Data Rule: Must equal MP (Milk Protein).

Data Item: *Name:* Measure Unit Qualifier, *Element:* MEA C174/6411

Data Rule: Must equal P1 (Percentage).

Data Item: *Name:* Percentage of milk protein, *Element:* MEA C174/6314

Data Rule: Must be a numeric measurement value.

5.2.3.85 Reason 13 (Lodge): GR11 MEA (Role – Percentage of milk fat)

Segment Rule: Optional. May only be supplied if Commodity Type is set to 'D' (Dairy).

Data Item: *Name:* Measure Application Qualifier, *Element:* MEA 6311

Data Rule: Must equal MF (Milk Fat).

Data Item: *Name:* Measure Unit Qualifier, *Element:* MEA C174/6411

Data Rule: Must equal P1 (Percentage).

Data Item: *Name:* Percentage of milk fat, *Element:* MEA C174/6314

Data Rule: Must be a numeric measurement value.

5.2.3.86 Reason 13 (Lodge): GR11 MEA (Role – Total weight of milk protein in mixtures)

Segment Rule: Optional. May only be supplied if Commodity Type is set to 'D' (Dairy).

Data Item: *Name:* Measure Application Qualifier, *Element:* MEA 6311

Data Rule: Must equal MP (Milk Protein).

Data Item: *Name:* Measure Dimension, coded, *Element:* MEA C502/6313

Data Rule: Must be set to AAL (Net Weight)

Data Item: *Name:* Measure Unit Qualifier, *Element:* MEA C174/6411

Data Rule: Must equal KGM (Kilograms).

Data Item: *Name:* Total weight of milk protein in Mixtures, *Element:* MEA C174/6314

Data Rule: Must be a numeric measurement value.

5.2.3.87 Reason 13 (Lodge): GR11 MEA (Role – Total weight of milk fat in mixtures)

Segment Rule: Optional. May only be supplied if Commodity Type is set to 'D' (Dairy).

Data Item: *Name:* Measure Application Qualifier, *Element:* MEA 6311

Data Rule: Must equal MF (Milk Fat).

Data Item: *Name:* Measure Dimension, coded, *Element:* MEA C502/6313
Data Rule: Must be set to AAL (Net Weight)

Data Item: *Name:* Measure Unit Qualifier, *Element:* MEA C174/6411
Data Rule: Must equal KGM (Kilograms).

Data Item: *Name:* Total weight of milk fat in Mixtures, *Element:* MEA C174/6314
Data Rule: Must be a numeric measurement value.

5.2.3.88 Reason 13 (Lodge): GR11 MEA (Role – BeefVeal Weight)

Segment Rule: Conditional. Only applies if Commodity Type is set to 'M' (Meat).
Segment Rule: Subject to above, Conditional. Must only be present if Cut Code is an AMLC Cut Code and the BeefVeal Indicator equal Y.
Segment Rule: Subject to above, optional.

Data Item: *Name:* Measure Application Qualifier, *Element:* MEA 6311
Data Rule: Must equal AAI (Item Weight).

Data Item: *Name:* Measure Dimension Coded, *Element:* MEA C502/6313
Data Rule: Must equal ACG (Chargeable Weight).

Data Item: *Name:* Measure Unit Qualifier, *Element:* MEA C174/6411
Data Rule: Must equal KGM for Kilograms (see Appendix E for Metric Weight Unit Codes).

Data Item: *Name:* BeefVeal Weight Amount, *Element:* MEA C174/6314
Data Rule: Must be a numeric measurement value.

5.2.3.89 Reason 13 (Lodge): GR11 MEA (Role – Chemical Lean Percentage)

Segment Rule: Conditional. Only applies if Commodity Type is set to 'M' (Meat).
Segment Rule: Subject to above, Conditional. Must only be present if Cut Code is an AMLC Cut Code and the Chemical Lean Percentage Indicator is Y.
Segment Rule: Subject to above, optional.

Data Item: *Name:* Measure Application Qualifier, *Element:* MEA 6311
Data Rule: Must equal CH (Chemistry).

Data Item: *Name:* Measure Unit Qualifier, *Element:* MEA C174/6411
Data Rule: Must equal P1 (Percentage).

Data Item: *Name:* Chemical Lean Percentage *Element:* MEA C174/6314
Data Rule: Must be a numeric measurement value.

5.2.3.90 Reason 13 (Lodge): GR11 PIA (Role – Product Code)

Segment Rule: Mandatory.

Data Item: *Name:* Product Identification Function Qualifier, *Element:* PIA 4347
Data Rule: Must equal 5 (Product Identification).

Data Item: *Name:* Product Code, *Element:* PIA C212/7140
Data Rule: Must equal an EXDOC Product Code (See Appendix E) valid for the Commodity Type defined by BGM.

Data Rule: Whilst not under the control of the Exporter System, Product Code will be validated by EXDOC to ensure the processing establishments were eligible to produce the product in the nominated period.

Data Item: *Name:* Product Code Type, *Element:* PIA C212/7143

Data Rule: Must equal CC (Industry Commodity Code).

5.2.3.91 Reason 13 (Lodge): GR11 PIA (Role – Cut Type)

Segment Rule: Conditional. Required if Commodity Type is set to 'M' (Meat), 'I' (Inedible), 'D' (Dairy), 'E' (Eggs), 'F' (Fish), 'W' (Wool), or 'S' (Skins & Hides).

Segment Rule: If Commodity Type is set to 'D' (Dairy) a Dairy Category Code is required.

Data Item: *Name:* Product Identification Function Qualifier, *Element:* PIA 4347

Data Rule: Must equal 5 (Product Identification).

Data Item: *Name:* Cut Code, *Element:* PIA C212/7140

Data Rule: Must equal Cut Code (See Appendix E for Cut Codes).

Data Item: *Name:* Cut Code Type, *Element:* PIA C212/7143

Data Rule: Must equal BP (Buyer's Part Number).

5.2.3.92 Reason 13 (Lodge): GR11 PIA (Role – EAN 13 Number)

Segment Rule: Optional. May be supplied if Commodity Type is set to 'D' (Dairy), otherwise not required.

Data Item: *Name:* Product Identification Function Qualifier, *Element:* PIA 4347

Data Rule: Must equal 1 (Additional Identification).

Data Item: *Name:* EAN – 13 Number, *Element:* PIA C212/7140

Data Rule: Must equal a valid EAN – 13 code for the product.

Data Rule: EXDOC will not validate this field.

Data Item: *Name:* Product Code Type, *Element:* PIA C212/7143

Data Rule: Must equal CC (Industry Commodity Code).

5.2.3.93 Reason 13 (Lodge): GR11 PIA (Role – AHECC Code)

Segment Rule: Conditional. Must be present if Customs Agent Indicator is set to 'Y'.

Segment Rule: Subject to above, if Commodity Type is set to 'G' (Grains) or 'H' (Horticulture) then mandatory if certificate is not required, otherwise optional but must be present before a certificate can be produced.

Data Item: *Name:* Product Identification Function Qualifier, *Element:* PIA 4347

Data Rule: Must equal 5 (Product Identification).

Data Item: *Name:* AHECC Code, *Element:* PIA C212/7140

Data Rule: Must equal a valid AHECC code for this product.

Data Item: *Name:* Product Code Type, *Element:* PIA C212/7143

Data Rule: Must equal HS (Harmonised System).

5.2.3.94 Reason 13 (Lodge): GR11 PIA (Role – Dominant Product)

Segment Rule: Conditional. Required for certain Meat products to certain countries.

Data Item: *Name:* Product Identification Function Qualifier, *Element:* PIA 4347
 Data Rule: Must equal 5 (Product Identification).

Data Item: *Name:* Dominant Product, *Element:* PIA C212/7140
 Data Rule: Must equal a Dominant and Additional Products code (See Appendix E).

Data Item: *Name:* Dominant Product Type, *Element:* PIA C212/7143
 Data Rule: Must equal CG (Commodity Grouping).

5.2.3.95 Reason 13 (Lodge): GR11 PIA (Role – Additional Products)

Segment Rule: Conditional. Can only be provided if Dominant Product present.

Data Item: *Name:* Product Identification Function Qualifier, *Element:* PIA 4347
 Data Rule: Must equal 5 (Product Identification).

Data Item: *Name:* Additional Products, *Element:* PIA C212/7140
 Data Rule: Must only contain Dominant and Additional Products codes (See Appendix E), may or may not be presented as comma separated words.

Data Item: *Name:* Additional Products Type, *Element:* PIA C212/7143
 Data Rule: Must equal SG (Standard Group of Products).

5.2.3.96 Reason 13 (Lodge): GR11 IMD (Role – RFP Line Item Description)

Segment Rule: Conditional. Required if Commodity Type is set to 'M' (Meat) otherwise not allowed. Can be used to supply additional product description useful to the inspection process, for example cyphers, fat depth.

Data Item: *Name:* Item Description Identification, *Element:* IMD C273/7009
 Data Rule: Must equal IN (Inspection).

Data Item: *Name:* RFP Line Item Description, *Element:* IMD C273/7008
 Data Rule: Free format text, must be non-blank.

5.2.3.97 Reason 13 (Lodge): GR11 IMD (Role – Exporter Defined Product Description)

Segment Rule: Conditional. Must only be present if allowed by the combination of product and destination.

Segment Rule: Subject to above, optional. If allowed but not present, Certificate Product Description is defaulted to the description generated by EXDOC.

Note: If allowed and present, the exporter supplied Certificate description overrides the description normally generated by EXDOC from the product code, packaging codes and measurements, additional product description, quality qualification, location qualification and label approval number. The product code, packaging codes and measurements are always required to verify eligibility of product for export. However, if Commodity Type is set to M (Meat), when an exporter description is supplied, the following non-coded components of product definition must not be supplied – additional product description, quality qualification, location qualification. These components, if relevant to the export, are assumed to be included in the exporter supplied description.

Data Item: *Name:* Item Description Identification, *Element:* IMD C273/7009

Data Rule: Must equal UHC (User Defined Certificate).

Data Item: *Name:* Certificate Product Description, *Element:* IMD C273/7008

Data Rule: Free format text, must be non-blank.

5.2.3.98 Reason 13 (Lodge): GR11 IMD (Role – Additional Product Description)

Segment Rule: Conditional. If Commodity Type is set to 'M' (Meat) must only be present if the EXDOC generated Certificate description is to be used.

Segment Rule: Subject to above, optional. Can be used to supply additional product description on a Certificate as required by a destination country.

Data Item: *Name:* Item Description Identification, *Element:* IMD C273/7009

Data Rule: Must equal AD (Additional).

Data Item: *Name:* Additional Product Description, *Element:* IMD C273/7008

Data Rule: Free format text, must be non-blank.

5.2.3.99 Reason 13 (Lodge): GR11 IMD (Role – EAN Description)

Segment Rule: Optional.

Segment Rule: Must not be present if no matching EAN – 13 code (PIA) segment.

Data Item: *Name:* Item Description Identification, *Element:* IMD C273/7009

Data Rule: Must equal ED (EAN Description)

Data Item: *Name:* EAN Description, *Element:* IMD C273/7008

Data Rule: Free format text, must be non-blank.

5.2.3.100 Reason 13 (Lodge): GR11 IMD (Role – Product Condition)

Segment Rule: Optional. If Commodity Type is set to 'G' (Grain) or 'H' (Horticulture), otherwise not allowed.

Segment Rule: Repeatable field up to a maximum of 10.

Data Item: *Name:* Item characteristic, *Element:* IMD C272/7081

Data Rule: Must equal 203 (Condition).

Data Item: *Name:* Item Description Identification, *Element:* IMD C273/7009

Data Rule: Must equal CND (Condition).

Data Item: *Name:* CND Condition, *Element:* IMD C273/7008

Data Rule: Must equal a valid Product Condition code (See Appendix E).

5.2.3.101 Reason 13 (Lodge): GR11 IMD (Role – Product Part)

Segment Rule: Optional. If Commodity Type is set to 'G' (Grain) or 'H' (Horticulture), otherwise not allowed.

Data Item: *Name:* Item Description Identification, *Element:* IMD C273/7009

Data Rule: Must equal PVP (Product Part).

Data Item: *Name:* PVP Product Part, *Element:* IMD C273/7008

Data Rule: Must equal a valid Product Part code (See Appendix E).

5.2.3.102 Reason 13 (Lodge): GR11 IMD (Role – Product Quality Qualification)

Segment Rule: Not allowed if Commodity Type is not set to 'M' (Meat).

Segment Rule: Subject to above, conditional. Must only be present if the EXDOC generated Certificate Description is to be used. Can be used to supply additional product description regarding product quality, for example, 10 per KG, U7 (Under 7 per KG).

Data Item: *Name:* Item Description Identification, *Element:* IMD C273/7009

Data Rule: Must equal QQ (Quality Qualifier).

Data Item: *Name:* Product Description Quality Qualification, *Element:* IMD C273/7008

Data Rule: Free format text, must be non-blank.

Data Rule: Must equal a Quality Qualifier (see Appendix E for Quality Qualifier Codes).

5.2.3.103 Reason 13 (Lodge): GR11 IMD (Role – Product Location Qualification)

Segment Rule: Not allowed if Commodity Type is not set to 'M' (Meat).

Segment Rule: Subject to above, conditional. Must only be present if the EXDOC generated Certificate description is to be used. Can be used to supply additional product description regarding product location, for example, Australian, Tasmanian.

Data Item: *Name:* Item Description Identification, *Element:* IMD C273/7009

Data Rule: Must equal LQ (Location Qualifier).

Data Item: *Name:* Product Description Location Qualification, *Element:* IMD C273/7008

Data Rule: Must equal a Location Qualifier (see Appendix E for Location Qualifier Codes).

5.2.3.104 Reason 13 (Lodge): GR11 IMD (Role – Nature of Commodity)

Segment Rule: Not allowed if Commodity Type is set to 'G' (Grains and Seeds) or 'H' (Horticulture).

Segment Rule: Subject to above, conditional, required for certain product types to or through certain countries.

Segment Rule: Subject to above, can only be amended before authorisation.

Data Item: *Name:* Item Description Identification, *Element:* IMD C273/7009

Data Rule: Must equal NC (Nature of Commodity)

Data Item: *Name:* Nature of Commodity, *Element:* C273/7008

Data Rule: Must equal a Nature of Commodity (see Appendix E for Nature of Commodity Codes).

5.2.3.105 Reason 13 (Lodge): GR11 IMD (Role – Treatment Type)

Segment Rule: Conditional, required for certain product types to or through certain countries.

Segment Rule: Subject to above, can only be amended before authorisation.

Data Item: *Name:* Item Description Identification, *Element:* IMD C273/7009

Data Rule: Must equal TT (Treatment Type)

Data Item: Name: Treatment Type, Element: C273/7008
Data Rule: Must equal a Treatment Type (see Appendix E for Treatment Type Codes).

5.2.3.106 Reason 13 (Lodge): GR11 GIN (Role – Batch Code)

Segment Rule: Conditional. May be supplied.
Segment Rule: Repeats not allowed.

Data Item: *Name:* Identity Number Qualifier, *Element:* GIN 7405
Data Rule: Must equal BX (Batch Number).

Data Item: *Name:* Batch Code, *Element:* GIN C208/7402
Data Rule: Free format text, must be non-blank.

5.2.3.107 Reason 13 (Lodge): GR11 RFF (Role – Label Approval Number)

Segment Rule: May be supplied if Commodity Type is set to 'M' (Meat), otherwise not allowed.
Segment Rule: Subject to above, conditional. Must only be present if allowed by the combination of product and destination.
Segment Rule: Subject to above, mandatory for Label Approval Indicator = Y for certain destination country.

Data Item: *Name:* Reference Qualifier, *Element:* RFF C506/1153
Data Rule: Must equal AFF (Marking/Label Reference).

Data Item: *Name:* Label Approval Number, *Element:* RFF C506/1154
Data Rule: Free format text. Must be non-blank.

5.2.3.108 Reason 13 (Lodge): GR11 RFF (Role – Export Scheme Code)

Segment Rule: Conditional. Must only be present if Customs Agent Indicator equals Y.
Segment Rule: Subject to above, optional.

Data Item: *Name:* Reference Qualifier, *Element:* RFF C506/1153
Data Rule: Must equal AGW (Scheme/Plan Number).

Data Item: *Name:* Export Scheme Code, *Element:* RFF C506/1154
Data Rule: Free format text. Blank entries are acceptable and will be set to a default value of "none" by EXDOC.
Data Rule: The valid values for this field is controlled by Customs. At the time of publication, valid values included BRX (Bylaw for Export) and DRB (Drawback).

5.2.3.109 Reason 13 (Lodge): GR11 RFF (Role – AMLC Quota Approval Reference)

Segment Rule: Optional. Only allowed if Commodity Type is set to 'M' (Meat)

Data Item: *Name:* Reference Qualifier, *Element:* RFF C506/1153
Data Rule: Is set to RE (Release Number).

Data Item: *Name:* AMLC Quota Approval Reference, *Element:* RFF C506/1154
Data Rule: Free format text. Must be non-blank.

5.2.3.110 Reason 13 (Lodge): GR11 ATT (Role – Label Approval Indicator)

Segment Rule: Not allowed if Commodity Type is not set to 'M' (Meat).

Segment Rule: Subject to above, optional. If not present, Label Approval Indicator is defaulted to N.

Data Item: *Name:* Attribute Function Qualifier, Element ATT 9017

Data Rule: Must Equal 10

Data Item: *Name:* Label Approval Indicator, Element ATT C956/9019

Data Rule: Must equal one of Y (Yes) or N (No). Yes means label approval number will be supplied.

Data Item: *Name:* Coded Attribute Type, Element ATT C956/1131

Data Rule: Must equal LAI

Data Item: *Name:* Code List Responsible Agency, *Element:* ATT C956/3055

Data Rule: Must equal AQ

5.2.3.111 Reason 13 (Lodge): GR11 ATT (Role – Ungraded Product Indicator)

Segment Rule: Only allowed if Commodity is set to 'M' (Meat) otherwise not allowed.

Segment Rule: Subject to above, optional. If not present, Ungraded Product Indicator is defaulted to N.

Data Item: *Name:* Attribute Function Qualifier, Element ATT 9017

Data Rule: Must equal 10

Data Item: *Name:* Ungraded Product Indicator, *Element:* ATT C956/9019

Data Rule: Must equal one of Y (Yes) or N (No). Yes means Product is ungraded

Data Item: *Name:* Coded Attribute Type, Element ATT C956/1131

Data Rule: Must equal UPI

Data Item: *Name:* Code List Responsible Agency, *Element:* ATT C956/3055

Data Rule: Must equal AQ

5.2.3.112 Reason 13 (Lodge): GR11 ATT (Role – Halal Product Indicator)

Segment Rule: May be supplied if Commodity Type is set to 'M' (Meat), otherwise not allowed.

Segment Rule: Subject to above, conditional. Must be Y if required by the extra certificate template. If not present, Halal Product Indicator is defaulted to N.

Data Item: *Name:* Attribute Function Qualifier, Element ATT 9017

Data Rule: Must Equal 10

Data Item: *Name:* Halal Product Indicator, Element ATT C956/9019

Data Rule: Must equal one of Y (Yes) or N (No). Yes means the product is Halal approved.

Data Item: *Name:* Coded Attribute Type, Element ATT C956/1131

Data Rule: Must equal HPI

Data Item: *Name:* Code List Responsible Agency, *Element:* ATT C956/3055

Data Rule: Must equal AQ

5.2.3.113 Reason 13 (Lodge): GR11 ATT (Role – Final Consumer)

Segment Rule: Must be Y if for Final Consumer for the EU. If not present is defaulted to N.

Data Item: *Name:* Attribute Function Qualifier, Element ATT 9017

Data Rule: Must Equal 10

Data Item: *Name:* Final Consumer, Element ATT C956/9019

Data Rule: Must equal one of Y (Yes) or N (No). Yes means the product is for the Final Consumer.

Data Item: *Name:* Coded Attribute Type, Element ATT C956/1131

Data Rule: Must equal FCI

Data Item: *Name:* Code List Responsible Agency, *Element:* ATT C956/3055

Data Rule: Must equal AQ

5.2.3.114 Reason 13 (Lodge): GR11 ATT (Role – Fish Water Indicator)

Segment Rule: Not allowed if Commodity Type is not set to 'F' (Fish).

Segment Rule: Subject to above, conditional.

Data Item: *Name:* Attribute Function Qualifier, Element ATT 9017

Data Rule: Must Equal 10

Data Item: *Name:* Fish Water Indicator, Element ATT C956/9019

Data Rule: Must equal one of F (Fresh water) or S (Salt water).

Data Item: *Name:* Coded Attribute Type, Element ATT C956/1131

Data Rule: Must equal FWI

Data Item: *Name:* Code List Responsible Agency, *Element:* ATT C956/3055

Data Rule: Must equal AQ

5.2.3.115 Reason 13 (Lodge): GR11 DTM (Role – Durability Start Date)

Segment Rule: Not allowed if Commodity Type is set to 'G' (Grains and Seeds) or 'H' (Horticulture).

Segment Rule: Subject to above, conditional. Must be present if required by the combination of product and destination.

Segment Rule: Subject to above, mandatory if Certificate is not required, otherwise optional but must be present before the Certificate can be produced.

Data Item: *Name:* Date/time/period Qualifier, *Element:* DTM C507/2005

Data Rule: Must equal 194 (Start Date).

Data Item: *Name:* Durability Start Date, *Element:* DTM C507/2380

Data Rule: Must equal a date of the prescribed format.

Data Rule: Must be less than or equal to Durability End Date.

Data Item: *Name: Date/time/period Format Qualifier, Element: DTM C507/2379*
Data Rule: Must equal 102 (ccyymmdd).

5.2.3.116 Reason 13 (Lodge): GR11 DTM (Role – Durability End Date)

Segment Rule: Not allowed if Commodity Type is set to 'G' (Grains and Seeds) or 'H' (Horticulture).

Segment Rule: Subject to above, conditional. Must be present if required by the combination of product and destination.

Segment Rule: Subject to above, mandatory if Certificate is not required, otherwise optional but must be present before the Certificate can be produced.

Segment Rule: If Commodity Type is set to 'D' (Dairy) interpreted as Use by Date.

Data Item: *Name: Date/time/period Qualifier, Element: DTM C507/2005*
Data Rule: Must equal 206 (End Date).

Data Item: *Name: Durability End Date, Element: DTM C507/2380*
Data Rule: Must equal a date of the prescribed format.
Data Rule: Must be greater than or equal to Durability Start Date.

Data Item: *Name: Date/time/period Format Qualifier, Element: DTM C507/2379*
Data Rule: Must equal 102 (ccyymmdd).

5.2.3.117 Reason 13 (Lodge): GR11 DTM (Role – Salting Date)

Segment Rule: May only be specified if Commodity Type is set to 'S' (Skins and Hides).

Data Item: *Name: Date/time/period Qualifier, Element: DTM C507/2005*
Data Rule: Must equal 9 (Processing date).

Data Item: *Name: Salting Date, Element: DTM C507/2380*
Data Rule: Must equal a date of the prescribed format.

Data Item: *Name: Date/time/period Format Qualifier, Element: DTM C507/2379*
Data Rule: Must equal 102 (ccyymmdd).

5.2.3.118 Reason 13 (Lodge): GR11 DTM (Role – Catch Start Date)

Segment Rule: Conditional. Must be present if required by the extra Certificate.

Segment Rule: Subject to above, only allowed if Commodity is set to 'F' (Fish) otherwise not allowed.

Data Item: *Name: Date/time/period Qualifier, Element: DTM C507/2005*
Data Rule: Must equal 163 (Processing Start Date)

Data Item: *Name: Catch Start Date, Element: DTM C507/2380*
Data Rule: Must equal a date of the prescribed format
Data Rule: Must be less than or equal to Catch End Date

Data Item: *Name: Date/time/period Format Qualifier, Element: DTM C507/2379*
Data Rule: Must equal 102(ccyymmdd).

5.2.3.119 Reason 13 (Lodge): GR11 DTM (Role – Catch End Date)

Segment Rule: Conditional. Must be present if required by the extra Certificate.

Segment Rule: Subject to above, only allowed if Commodity is set to 'F' (Fish) otherwise not allowed.

Data Item: *Name:* Date/time/period Qualifier, *Element:* DTM C507/2005
 Data Rule: Must equal 164 (Processing End Date)

Data Item: *Name:* Catch End Date, *Element:* DTM C507/2380
 Data Rule: Must equal a date of the prescribed format
 Data Rule: Must be greater than or equal to Catch Start Date

Data Item: *Name:* Date/time/period Format Qualifier, *Element:* DTM C507/2379
 Data Rule: Must equal 102(ccyymmdd).

5.2.3.120 Reason 13 (Lodge): GR11 LOC (Role – Product Source State)

Segment Rule: Conditional. Must be present if Commodity Type is set to 'G' (Grain) or 'H' (Horticulture), 'M' (Meat), 'S' (Skins & Hides), 'I' (Inedible Meat), 'W' (Wool) and Customs Agent Indicator equals Y. Must also be present if required by the combination of commodity and destination.

Segment Rule: Subject to above. May be supplied if Commodity Type is set to 'D' (Dairy), 'E' (Eggs) or 'F' (Fish), otherwise not allowed.

Data Item: *Name:* Place/Location Qualifier, *Element:* LOC 3227
 Data Rule: Must be equal to ZZZ (Product Source State).

Data Item: *Name:* Product Source State, *Element:* LOC C517/3225
 Data Rule: Free format text. Must be non-blank. Must equal a State Code (see Appendix E for State Codes), or a comma delimited list of valid State Codes if required by the combination of commodity and destination.

5.2.3.121 Reason 13 (Lodge): GR11 LOC (Role – Product Country of Origin)

Segment Rule: Conditional. Must be if required by the combination of commodity and destination if Commodity Type is set to 'F' (Fish).

Segment Rule: Subject to above. May be supplied if Commodity Type is set to 'F' (Fish), otherwise not allowed.

Data Item: *Name:* Place/Location Qualifier, *Element:* LOC 3227
 Data Rule: Must be equal to 27 (Country of origin).

Data Item: *Name:* Product Country of Origin, *Element:* LOC C517/3225
 Data Rule: Free format text. Must be non-blank. Must equal a Country Code (see Appendix E for Country Codes), or a comma delimited list of valid Country Codes if required by the combination of commodity and destination.

5.2.3.122 Reason 13 (Lodge): GR11 FTX (Role – Additional Declaration Text)

Segment Rule: Optional. May be supplied if Commodity Type is set to 'G' (Grains) or 'H' (Horticulture), otherwise not allowed.

Segment Rule: Maximum of 99 repeats allowed.

Note: If provided, this data will replace the standard endorsement text that is printed on the requested certificate.

Data Item: *Name:* Text Subject Qualifier, *Element:* FTX 4451
Data Rule: Must equal AAZ (Additional Declaration).

Data Item: *Name:* Additional Declaration Text, *Element:* FTX C108/4440
Data Rule: Minimum 1 and maximum 5 repeats.
Data Rule: Free format text.
Data Rule: Any spaces will be stored and printed.
Data Rule: Each element repeat will be treated as a separate line when printing the data on certificates.
Data Rule: Content is validated manually by departmental staff.

5.2.3.123 Reason 13 (Lodge): GR11 FTX (Role – Coded Statement)

Segment Rule: Optional. May be supplied if Commodity Type is set to 'G' (Grains) or 'H' (Horticulture) otherwise not allowed.
Segment Rule: Multiple repeats are not allowed.

Data Item: *Name:* Text Subject Qualifier, *Element:* FTX 4451
Data Rule: Must equal ZZZ (Coded Statement).

Data Item: *Name:* Statement Number, *Element:* FTX C108/4440
Data Rule: Minimum 1 and maximum 5 repeats.
Data Rule: Free format text.
Data Rule: Content is validated by departmental staff.

5.2.3.124 Reason 13 (Lodge): GR11 FTX (Role – Free Text Statement)

Segment Rule: Optional. May be supplied if Commodity Type is set to 'H' (Horticulture) otherwise not allowed.
Segment Rule: Multiple repeats are not allowed.

Data Item: *Name:* Text Subject Qualifier, *Element:* FTX 4451
Data Rule: Must equal AAY (Free Text Statement).

Data Item: *Name:* Statement Text, *Element:* FTX C108/4440
Data Rule: Minimum 1 and maximum 5 repeats.
Data Rule: Free format text.
Data Rule: Content is validated manually by departmental staff.

5.2.3.125 Reason 13 (Lodge): GR11 FTX (Role – Import Authority Code)

Segment Rule: Conditional. Must be present if required by the combination of product and destination.
Segment Rule: No repeats allowed.

Data Item: *Name:* Text Subject Qualifier, *Element:* FTX 4451
Data Rule: Must equal ABL (Government Information).

Data Item: *Name:* Import Authority Code, *Element:* FTX C108/4440
Data Rule: Minimum 1 and maximum 5 repeats.
Data Rule: Free format text.
Data Rule: Any spaces will be stored and printed.

5.2.3.126 Reason 13 (Lodge): GR11 FTX (Role – Client Line Item Identifier)

Segment Rule: Optional.

Segment Rule: No repeats allowed.

Data Item: *Name:* Text Subject Qualifier, *Element:* FTX 4451

Data Rule: Must equal LIN (Line Item Information).

Data Item: *Name:* Client Line Item Identifier, *Element:* FTX C108/4440

Data Rule: Minimum 1 and maximum 4 repeats.

Data Rule: Free format text.

Data Rule: Any spaces will be stored.

5.2.3.127 Reason 13 (Lodge): GR11 MOA (Role – FOB Amount)

Segment Rule: Optional. If Commodity Type is not set to 'D' (Dairy) can only be present if Customs Agent Indicator equals 'Y'.

Segment Rule: Optional. If Commodity Type is set to 'D' (Dairy) then mandatory if certificate is not required, otherwise optional but must be present before certificate can be produced.

Segment Rule: Exdoc will not transmit this field in any outward messages to industry. If an RFP is Forwarded or Transferred then the new owner will have to re-enter the value.

Data Item: *Name:* Monetary Amount Qualifier, *Element:* MOA C516/5025

Data Rule: Must equal 63 (Free On Board Value).

Data Item: *Name:* FOB Amount, *Element:* MOA C516/5004

Data Rule: Must equal a monetary amount.

5.2.3.128 Reason 13 (Lodge): GR12 DOC (Role – Requested Certificate Template/Endorsement)

Segment Rule: Optional. If not present, the default Certificate Template & Endorsement for the Product Code and Destination Country is applied.

Data Item: *Name:* Document Name, *Element:* DOC C002/1001

Data Rule: Must equal 852 (Sanitary Certificate).

Data Item: *Name:* Certificate Template & Endorsement, *Element:* DOC C002/1000

Data Rule: Must equal a Certificate Template & Endorsement Code valid for the Product Code and Destination Country.

Data Item: *Name:* Document Status, *Element:* DOC C503/1373

Data Rule: Must equal 19 (Applied For).

5.2.3.129 Reason 13 (Lodge): GR12 DOC (Role – Extra Certificate)

Segment Rule: Optional. May only be supplied if Commodity Type is set to 'M' (Meat), 'D' (Dairy), 'E' (Eggs), 'F' (Fish), 'G' (Grains), 'H' (Horticulture) or 'I' (Inedible Meat) or 'S' (Skins & Hides). Repeats are allowed.

Data Item: *Name:* Document Name, *Element:* DOC C002/1001

Data Rule: Must equal 852 (Sanitary Certificate).

Data Item: *Name:* Extra Certificate Template, *Element:* DOC C002/1000

Data Rule: Must equal a Certificate Template Code valid for the Commodity.

Data Item: *Name:* Document Status, *Element:* DOC C503/1373

Data Rule: Must equal 9 (To be printed).

5.2.3.130 Reason 13 (Lodge): GR12 DOC (Role – Related Export Permit Number)

Segment Rule: Conditional. Must be supplied for certain Product Types.

Segment Rule: Subject to above, can only be supplied if Customs Agent Indicator is set to 'Y' otherwise not allowed.

Segment Rule: Will be forwarded to ICS if Customs Agent Indicator equals Y.

Data Item: *Name:* Document Name, *Element:* DOC C002/1001

Data Rule: Must equal 841 (Goods Control Certificate).

Data Item: *Name:* Related Export Permit Number, *Element:* DOC C503/1004

Data Rule: Free format text. Must be non-blank.

Data Item: *Name:* Document Source, *Element:* DOC C503/1366

Data Rule: Must be supplied if Related Export Permit Number is supplied.

Data Rule: Must equal an Export Permit Type (Appendix E for Export Permit Type Codes).

5.2.3.131 Reason 13 (Lodge): GR12 DTM (Role – Related Export Permit Date)

Segment Rule: Conditional. Must be supplied if Related Export Permit Number is supplied.

Segment Rule: Will be forwarded to ICS if Customs Agent Indicator equals Y.

Data Item: *Name:* Date/time/period Qualifier, *Element:* DTM C507/2005

Data Rule: Must equal 137 (Document Date).

Data Item: *Name:* Related Export Permit Date, *Element:* DTM C507/2380

Data Rule: Must equal a date of the prescribed format.

Data Item: *Name:* Date/time/period Format Qualifier, *Element:* DTM C507/2379

Data Rule: Must equal 102 (ccyymmdd).

5.2.3.132 Reason 13 (Lodge): GR13 PNA (Role – AMLC Performance Exporter Number)

Segment Rule: Conditional. Allowed if Commodity Type is set to 'M' (Meat) or 'D' (Dairy), otherwise not allowed.

Segment Rule: Subject to above, Conditional. Must only be present if Cut Code is an AMLC cut Code. If not present and the Cut Code is an AMLC Cut Code, the AMLC Performance Exporter Number is defaulted to the Owner Exporter Number.

Segment Rule: Subject to above, mandatory if Certificate is not required, otherwise optional but must be present before the certificate can be produced.

Data Item: *Name:* Party Qualifier, *Element:* PNA 3035

Data Rule: Must equal EX (Exporter).

Data Item: *Name:* AMLC Performance Exporter Number, *Element:* PNA C206/7402

Data Rule: Must equal a current Exporter Number.

Note: When forwarding information to the AMLC, EXDOC provides the associated AMLC License Number of the nominated exporter if different to the Exporter Number.

5.2.3.133 Reason 13 (Lodge): GR15 PAC (Role – Packaging Details)

Segment Rule: Mandatory for outer packaging, optional for inner and intermediary packaging. Maximum one PAC segment allowed for each level of packaging.

Segment Rule: If multiple segment groups are provided the Outer Packaging segment group must be provided first followed by the Intermediate Packaging segment group and finally the Inner Packaging segment group.

Note: A possible sequence of segments if all levels of packaging are supplied would be PAC/PCI/MEA/PAC/MEA/PAC/MEA, where PCI is conditional and all MEAs are optional.

Data Item: *Name:* Package Quantity, *Element:* PAC 7224

Data Rule: Must be zero or empty if Package Type = “VR” or “MX”, otherwise must be non-zero.

Data Item: *Name:* Packaging Level, *Element:* PAC C531/7075

Data Rule: Must equal one of 1 (Inner), 2 (Intermediate) or 3 (Outer).

Data Item: *Name:* Package Type, *Element:* PAC C202/7065

Data Rule: Must equal a Package Type Code (see Appendix E for Package Type Codes).

Data Item: *Name:* Code List Responsible Agency, *Element:* PAC C202/3055

Data Rule: Must equal AQ.

5.2.3.134 Reason 13 (Lodge): GR15 PCI (Role – Shipping Marks)

Segment Rule: Conditional. Must be present for outer packaging for certain products to certain countries.

Segment Rule: Not required and not allowed for inner and intermediate packaging levels.

Segment Rule: Subject to above, mandatory if Certificate is not required, otherwise optional but must be present before the Certificate can be produced.

Data Item: *Name:* Shipping Marks, *Element:* PCI C210/7102

Data Rule: Free format text. Must be non-blank.

5.2.3.135 Reason 13 (Lodge): GR15 MEA (Role – Package Measurement)

Segment Rule: Conditional. Must be present if Commodity Type is set to ‘D’ (Dairy), otherwise optional.

Data Item: *Name:* Measure Application Qualifier, *Element:* MEA 6311

Data Rule: Must equal AAU (Package Weight).

Data Item: *Name:* Measure Dimension Coded, *Element:* MEA C502/6313

Data Rule: Must equal AAL (Net Weight).

Data Item: *Name:* Package Measure Accuracy, *Element:* MEA C502/6321

Data Rule: Must equal 3 (Approximate) or 4 (Equal To).

Data Item: *Name:* Package Unit, *Element:* MEA C174/6411
Data Rule: Optional, but must be present if Package Unit Amount is present.
Data Rule: If present and if Commodity Type equals 'M' (Meat), must equal a Metric Weight Unit, otherwise must equal a Measurement Unit (see Appendix E for Metric Weight and Measurement Unit Codes).

Data Item: *Name:* Package Unit Amount, *Element:* MEA C174/6314
Data Rule: Optional, but must be present if Package Unit is present.
Data Rule: Must be a numeric measurement value.

5.2.3.136 Reason 13 (Lodge): GR16 EQD (Role – Container)

Segment Rule: Optional. Only present if product is containerised.
Segment Rule: If Separate Certificate Container Indicator equal to Y, a maximum of 1 container per line is allowed
Segment Rule: Subject to above, the total number of containers per line and RFP is subject to the combination of product and destination.

Data Item: *Name:* Equipment Identifier, *Element:* EQD 8053
Data Rule: Must equal CN (Container).

Data Item: *Name:* Container Number, *Element:* EQD C237/8260
Data Rule: Must be non-blank with no embedded spaces.

5.2.3.137 Reason 13 (Lodge): GR16 MEA (Role – IMA1 Net Weight)

Segment Rule: Optional. May only be supplied if Commodity Type is set to 'D' (Dairy).

Data Item: *Name:* Measure Application Qualifier, *Element:* MEA 6311
Data Rule: Must equal WT (Weight).

Data Item: *Name:* Measure Dimension Coded, *Element:* MEA C502/6313
Data Rule: Must equal AAC (Net weight).

Data Item: *Name:* IMA1 Net Weight Amount, *Element:* MEA C174/6314
Data Rule: Must be a numeric measurement value.

5.2.3.138 Reason 13 (Lodge): GR16 MEA (Role – IMA1 Gross Weight)

Segment Rule: Optional. May only be supplied if Commodity Type is set to 'D' (Dairy).

Data Item: *Name:* Measure Application Qualifier, *Element:* MEA 6311
Data Rule: Must equal WT (Weight).

Data Item: *Name:* Measure Dimension Coded, *Element:* MEA C502/6313
Data Rule: Must equal AAE (Gross Weight).

Data Item: *Name:* IMA1 Gross Weight Amount, *Element:* MEA C174/6314
Data Rule: Must be a numeric measurement value.

5.2.3.139 Reason 13 (Lodge): GR16 IMD (Role – IMA1 Product Description)

Segment Rule: Optional. May only be supplied if Commodity Type is set to 'D' (Dairy).

Data Item: *Name:* Item Description Identification, *Element:* IMD C273/7009
Data Rule: Must equal IMA1 (IMA1 Product Description).

Data Item: *Name:* IMA1 Product Description, *Element:* IMD C273/7008
Data Rule: Free format text, must be non-blank.

5.2.3.140 Reason 13 (Lodge): GR16 GIN (Role – IMA1 Serial Number)

Segment Rule: Optional. May only be supplied if Commodity Type is set to 'D' (Dairy).

Data Item: *Name:* Identity Number Qualifier, *Element:* GIN 7405
Data Rule: Must equal BN (Serial Number).

Data Item: *Name:* IMA1 Serial Number, *Element:* GIN C208/7402
Data Rule: Free format text, must be non-blank.

5.2.3.141 Reason 13 (Lodge): GR16 GIN (Role – IMA1 Invoice Number)

Segment Rule: Optional. May only be supplied if Commodity Type is set to 'D' (Dairy).

Data Item: *Name:* Identity Number Qualifier, *Element:* GIN 7405
Data Rule: Must equal IL (Invoice Number).

Data Item: *Name:* IMA1 Invoice Number, *Element:* GIN C208/7402
Data Rule: Free format text, must be non-blank.

5.2.3.142 Reason 13 (Lodge): GR16 DTM (Role – IMA1 Invoice Date)

Segment Rule: Optional. May only be supplied if Commodity Type is set to 'D' (Dairy).

Data Item: *Name:* Date/time/period Qualifier, *Element:* DTM C507/2005
Data Rule: Must equal 3 (Invoice date).

Data Item: *Name:* IMA1 Invoice Date, *Element:* DTM C507/2380
Data Rule: Must equal a date of the prescribed format.

Data Item: *Name:* Date/time/period Format Qualifier, *Element:* DTM C507/2379
Data Rule: Must equal 102 (ccyymmdd).

5.2.3.143 Reason 13 (Lodge): GR16 FTX (Role – IMA1 Quota Year)

Segment Rule: Optional. May only be supplied if Commodity Type is set to 'D' (Dairy).

Data Item: *Name:* Text Subject Qualifier, *Element:* FTX 4451
Data Rule: Must equal AAI (General Information).

Data Item: *Name:* IMA1 Quota Year, *Element:* FTX C108/4440
Data Rule: No repeats allowed.
Data Rule: Free format text.

5.2.3.144 Reason 13 (Lodge): GR17 SEL (Role – Container Seal)

Segment Rule: Optional. Only present if a seal is applied to the container.

Data Item: *Name:* Seal Number, *Element:* SEL 9308
Data Rule: Not supplied unless the Inspection Establishment, the Inspector and the EDI User are AQA authorised.
Data Rule: If Commodity Type is not set to 'M' (Meat) then company seals may be used (for both AQA and non-AQA establishments).

- Data Rule: Free format text. Must be non-blank.
- Data Item: *Name:* Seal Start Number, *Element:* SEL 9308
 Data Rule: Optional. Only present if the importing country specifically requires it.
 Data Rule: If a range of seals is applied, equals the start seal number in the range.
 Data Rule: Subject to above, only allowed if Seal Number is not given.
- Data Item: *Name:* Seal End Number, *Element:* SEL 9308
 Data Rule: Optional. Only present if the importing country specifically requires it.
 Data Rule: If a range of seals is applied, equals the end seal number in the range.
 Data Rule: The numeric part must be greater or equal to the numeric part of Seal Start Number if given

5.2.3.145 Reason 13 (Lodge): GR18 PRC (Role – Treatment)

- Segment Rule: Conditional. Must be present for certain products to certain countries, otherwise optional.
- Segment Rule: Subject to above, not allowed if Commodity Type is set to 'M' (Meat).
- Segment Rule: Multiple allowed.
- Data Item: *Name:* Process Type Identification, *Element:* PRC C242/7187
 Data Rule: Must equal TR (Treatment).
- Data Item: *Name:* Code List Qualifier, *Element:* PRC C242/1131
 Data Rule: Must equal PP (Product Process).
- Data Item: *Name:* Code List Responsible Agency, *Element:* PRC C242/3055
 Data Rule: Must equal AQ

5.2.3.146 Reason 13 (Lodge): GR18 IMD (Role – Treatment Information)

- Segment Rule: Mandatory. Requires a parent Treatment segment.
- Data Item: *Name:* Item characteristic, *Element:* IMD 7081
 Data Rule: Must equal 25 (End Treatment).
- Data Item: *Name:* Treatment Code, *Element:* IMD C273/7009
 Data Rule: Must equal a valid treatment code (See Appendix E).
- Data Item: *Name:* Treatment Information, *Element:* IMD C273/7008
 Data Rule: Free format text, must be non-blank.

5.2.3.147 Reason 13 (Lodge): GR18 IMD (Role – Treatment Active Ingredient)

- Segment Rule: Conditional. An owner Treatment Details PRC must be present. Commodity Type must be set to 'G' (Grain) or 'H' (Horticulture).
- Segment Rule: Repeatable field up to a maximum of 8.
- Segment Rule: Must be supplied if required by importing country conditions, otherwise Optional.
- Data Item: *Name:* Item Description Identification, *Element:* IMD C273/7009
 Data Rule: Must equal TAI (Treatment Active Ingredient).
- Data Item: *Name:* TAI Treatment Active Ingredient, *Element:* IMD C273/7008
 Data Rule: Must equal a valid treatment Active Ingredient code (See Appendix E).

5.2.3.148 Reason 13 (Lodge): GR18 MEA (Role – Treatment Concentration)

Segment Rule: Conditional. An owner Treatment Details PRC must be present.
Commodity Type must be set to 'G' (Grain) or 'H' (Horticulture).

Segment Rule: Must be supplied if required by importing country conditions, otherwise Optional.

Data Item: *Name:* Measure Application Qualifier, *Element:* MEA 6311

Data Rule: Must equal CH (Chemistry).

Data Item: *Name:* Measure Unit Qualifier, *Element:* MEA C174/6411

Data Rule: Must equal a valid Treatment Concentration Unit code (See Appendix E).

Data Item: *Name:* Treatment Concentration amount, *Element:* MEA C174/6314

Data Rule: Must be a numeric measurement value as per specified format. Must not be a negative value.

5.2.3.149 Reason 13 (Lodge): GR18 MEA (Role – Treatment Duration)

Segment Rule: Conditional. An owner Treatment Details PRC must be present.
Commodity Type must be set to 'G' (Grain) or 'H' (Horticulture).

Segment Rule: Must be supplied if required by importing country conditions, otherwise Optional.

Data Item: *Name:* Measure Application Qualifier, *Element:* MEA 6311

Data Rule: Must equal ABV (Unit of Time).

Data Item: *Name:* Measure Dimension Coded, *Element:* MEA C502/6313

Data Rule: Must equal TN (Time Period).

Data Item: *Name:* Measure Unit Qualifier, *Element:* MEA C174/6411

Data Rule: Must equal SEC(Seconds) or MIN(Minutes) or HUR(Hours) or DAY(Days), per UN Recommendation 20.

Data Item: *Name:* Treatment Duration amount, *Element:* MEA C174/6314

Data Rule: Must be a numeric measurement value.

5.2.3.150 Reason 13 (Lodge): GR18 MEA (Role – Treatment Temperature)

Segment Rule: Conditional. An owner Treatment Details PRC must be present.
Commodity Type must be set to 'G' (Grain) or 'H' (Horticulture).

Segment Rule: Must be supplied if required by importing country conditions, otherwise Optional.

Data Item: *Name:* Measure Application Qualifier, *Element:* MEA 6311

Data Rule: Must equal TE (Temperature).

Data Item: *Name:* Measure Dimension Coded, *Element:* MEA C502/6313

Data Rule: Must equal TC (Temperature).

Data Item: *Name:* Measure Unit Qualifier, *Element:* MEA C174/6411

Data Rule: Must equal CEL (Degree Celsius) or FAH (Degree Fahrenheit).

Data Item: *Name:* Treatment Temperature value, *Element:* MEA C174/6314

Data Rule: Must be a numeric measurement value.

5.2.3.151 Reason 13 (Lodge): GR18 DTM (Role – Treatment Date)

Segment Rule: Mandatory. Requires a parent Treatment segment.

Data Item: *Name: Date/time/period Qualifier, Element: DTM C507/2005*
Data Rule: Must equal 194 (Start Date).

Data Item: *Name: Treatment Date, Element: DTM C507/2380*
Data Rule: Must equal a date of the prescribed format.
Data Rule: Must be less than or equal to Departure Date.

Data Item: *Name: Date/time/period Format Qualifier, Element: DTM C507/2379*
Data Rule: Must equal 102 (ccyymmdd).

5.2.3.152 Reason 13 (Lodge): GR18 DTM (Role – Treatment End Date)

Segment Rule: Optional. Requires a parent Treatment Process segment

Data Item: *Name: Date/time/period Qualifier, Element: DTM C507/2005*
Data Rule: Must equal 206 (End Date).

Data Item: *Name: Treatment End Date, Element: DTM C507/2380*
Data Rule: Must equal a date of the prescribed format.
Data Rule: Must be greater than or equal to Treatment Date.

Data Item: *Name: Date/time/period Format Qualifier, Element: DTM C507/2379*
Data Rule: Must equal 102 (ccyymmdd).

5.2.3.153 Reason 13 (Lodge): GR18 PRC (Role – Harvest Process)

Segment Rule: Optional. May only be supplied if Commodity Type is set to 'F' (Fish). Multiples not allowed.

Data Item: *Name: Process Type Identification, Element: PRC C242/7187*
Data Rule: Must equal HA (Harvest).

Data Item: *Name: Code List Qualifier, Element: PRC C242/1131*
Data Rule: Must equal PP (Product Process).

Data Item: *Name: Code List Responsible Agency, Element: PRC C242/3055*
Data Rule: Must equal AQ

5.2.3.154 Reason 13 (Lodge): GR18 DTM (Role – Harvest Start Date)

Segment Rule: Mandatory. Requires a parent Harvest Process segment.

Data Item: *Name: Date/time/period Qualifier, Element: DTM C507/2005*
Data Rule: Must equal 194 (Start Date).

Data Item: *Name: Harvest Start Date, Element: DTM C507/2380*
Data Rule: Must equal a date of the prescribed format.
Data Rule: Must be less than or equal to Harvest End Date.

Data Item: *Name: Date/time/period Format Qualifier, Element: DTM C507/2379*
Data Rule: Must equal 102 (ccyymmdd).

5.2.3.155 Reason 13 (Lodge): GR18 DTM (Role – Harvest End Date)

Segment Rule: Optional. If not given, the Harvest End Date is set to the Harvest Start Date.

Segment Rule: Requires a parent Harvest Process segment.

Data Item: *Name:* Date/time/period Qualifier, *Element:* DTM C507/2005

Data Rule: Must equal 206 (End Date).

Data Item: *Name:* Harvest End Date, *Element:* DTM C507/2380

Data Rule: Must equal a date of the prescribed format.

Data Rule: Must be greater than or equal to Harvest Start Date.

Data Rule: Must be less than or equal to Departure Date.

Data Item: *Name:* Date/time/period Format Qualifier, *Element:* DTM C507/2379

Data Rule: Must equal 102 (ccyymmdd).

5.2.3.156 Reason 13 (Lodge): GR18 DTM (Role – Depuration Date)

Segment Rule: Conditional. Required if Depuration Plant Number provided otherwise not allowed.

Segment Rule: Requires a parent Harvest Process segment.

Data Item: *Name:* Date/time/period Qualifier, *Element:* DTM C507/2005

Data Rule: Must equal 9 (Processing Date).

Data Item: *Name:* Depuration Date, *Element:* DTM C507/2380

Data Rule: Must equal a date of the prescribed format.

Data Rule: Must be greater than or equal to Harvest Start Date.

Data Rule: Must be less than or equal to Departure Date.

Data Item: *Name:* Date/time/period Format Qualifier, *Element:* DTM C507/2379

Data Rule: Must equal 102 (ccyymmdd).

5.2.3.157 Reason 13 (Lodge): GR18 LOC (Role – Harvest Area/Lease Number)

Segment Rule: Mandatory. Requires a parent Harvest Process segment.

Data Item: *Name:* Place/Location Qualifier, *Element:* LOC 3227

Data Rule: Must be equal to 48 (Region of production).

Data Item: *Name:* Harvesting Area, *Element:* LOC C517/3225

Data Rule: Free format text. Must be non-blank.

Data Item: *Name:* Lease Number, *Element:* LOC C519/3223

Data Rule: Free format text.

5.2.3.158 Reason 13 (Lodge): GR19 PNA (Role – Depuration Plant Number)

Segment Rule: Optional. Requires a parent Harvest Process segment.

Data Item: *Name:* Party Qualifier, *Element:* PNA 3035

Data Rule: Must equal SK (Plant).

Data Item: *Name:* Depuration Plant Number, *Element:* PNA C206/7402

Data Rule: Must be non-blank.

5.2.3.159 Reason 13 (Lodge): GR18 PRC (Role – Production Process)

Segment Rule: Conditional.

Segment Rule: Conditional. Subject to above, at least 1 Production Process group must be present, identifying a packer if Commodity Type is set to 'M' (Meat).
The identification of a slaughterer or freezer is conditional on the product and country combination for the Commodity Type

Segment Rule: CT – Optional. Only one allowed.

Segment Rule: FR – Optional. Only one allowed.

Segment Rule: LO – Optional. Multiple allowed.

Segment Rule: PC – Mandatory if Commodity Type is 'D' (Dairy), 'E' (Eggs) or 'F' (Fish), otherwise optional.

Segment Rule: PK – Optional. Multiple allowed.

Segment Rule: SL – Optional. Multiple allowed.

Segment Rule: ST – Optional. Multiple allowed.

Segment Rule: Process Type 'CT' or Free format text Process Type 'CT' is Mandatory if Commodity Type is 'F' (Fish), Destination Country is 'CN' (China) and Supplementary Code is 'WO' (WILD ORIGIN).

Segment Rule: Free format text Process Type 'AQ' is Mandatory if Commodity Type is 'F' (Fish), Destination Country is 'CN' (China), Supplementary Code is 'AQ' (AQUACULTURE) and Product Type is not equal to 'CMS', 'COC', 'MUB', 'OYL', 'OYN', 'OYP', 'OYR', 'OYS', 'PIP', 'SCC', 'SCE', 'SCF', 'SCM', 'SCO', 'SCP', 'SCR', 'SCS', 'SCX'.

Segment Rule: FV (Fishing Vessel) – Optional. Multiple allowed. 'F' (Fish)

Segment Rule: FF (Fishing and Factory Vessel) – Optional. Multiple allowed. 'F' (Fish)

Segment Rule: TV (Transport Fishing Vessel) – Optional. Multiple allowed. 'F' (Fish)

Segment Rule: IR (Independent cold store raw material) – Optional. Multiple allowed. 'F' (Fish)

Data Item: *Name:* Process Type Identification, *Element:* PRC C242/7187

Data Rule: Must equal a Process other than IN (see Appendix E for Process Type Codes).

Data Item: *Name:* Code List Qualifier, *Element:* PRC C242/1131

Data Rule: Must equal PP (Product Process).

Data Item: *Name:* Code List Responsible Agency, *Element:* PRC C242/3055

Data Rule: Must equal AQ

5.2.3.160 Reason 13 (Lodge): GR18 DTM (Role – Process Start Date)

Segment Rule: Mandatory. Requires a parent Production Process segment.

Segment Rule: Optional. If free format text Establishment Name is provided and free format text Process Type is 'CT' or 'AQ'.

Data Item: *Name:* Date/time/period Qualifier, *Element:* DTM C507/2005

Data Rule: Must equal 194 (Start Date).

Data Item: *Name:* Process Start Date, *Element:* DTM C507/2380

Data Rule: Must equal a date of the prescribed format.

Data Rule: Must be less than or equal to Process End Date.

Data Rule: If Commodity Type equal to 'D' (Dairy), and process is preservation via freezing, start date represents the date of freezing.

Data Item: *Name:* Date/time/period Format Qualifier, *Element:* DTM C507/2379
Data Rule: Must equal 102 (ccyymmdd).

5.2.3.161 Reason 13 (Lodge): GR18 DTM (Role – Process End Date)

Segment Rule: Optional. If not given, the Process End Date is set to the Process Start Date.

Segment Rule: If Commodity Type is 'D' (Dairy) and Process is 'PC' then this Date represents the Manufacturing Date.

Segment Rule: Requires a parent Production Process segment.

Data Item: *Name:* Date/time/period Qualifier, *Element:* DTM C507/2005
Data Rule: Must equal 206 (End Date).

Data Item: *Name:* Process End Date, *Element:* DTM C507/2380
Data Rule: Must equal a date of the prescribed format.
Data Rule: Must be greater than or equal to Process Start Date.
Data Rule: Must be less than or equal to Departure Date.

Data Item: *Name:* Date/time/period Format Qualifier, *Element:* DTM C507/2379
Data Rule: Must equal 102 (ccyymmdd).

5.2.3.162 Reason 13 (Lodge): GR19 PNA (Role – Processing Establishment Number/Name)

Segment Rule: Mandatory. Requires a parent Production Process segment.

Segment Rule: This segment contains either the Establishment Number or the Establishment Name but not both. If data is provided in element C206 (Establishment Number) then no data is allowed to be provided in the C816 element, and vice-versa.

Segment Rule: Mandatory. If free format text Establishment Name is provided and free format text Process Type is 'CT' or 'AQ'.

Data Item: *Name:* Party Qualifier, *Element:* PNA 3035
Data Rule: Must equal MP (Manufacturing Plant).

Data Item: *Name:* Establishment Number, *Element:* PNA C206/7402
Data Rule: Must equal a registered Establishment Number.
Data Rule: Whilst not under the control of the Exporter System, the establishment will be validated by EXDOC to ensure it was able to perform the nominated process for the nominated product in the nominated period.

Data Item: *Name:* Party Identification Details, *Element:* PNA C082
Data Rule: Free format text if required by the combination of commodity and destination.

Data Item: *Name:* Name Component Qualifier, *Element:* PNA C816/3405
Data Rule: Must equal 10 (Full Name).

Data Item: *Name:* Establishment Name, *Element:* PNA C816/3398
Data Rule: Free format text. Must be non-blank.

5.2.3.163 Reason 13 (Lodge): GR19 ADR (Role – Processing Establishment Address)

Segment Rule: Conditional. Must be provided if the Establishment Name was provided in the preceding PNA segment and free format text Process Type is not 'CT' or 'AQ'.

Segment Rule: Can only be provided if the Establishment Name was provided in the preceding PNA segment.

Segment Rule: If present, at least one of the optional data elements must be present.

Data Item: *Name:* Address Format, *Element:* ADR C090/3477

Data Rule: Conditional. Must be present if Establishment Street is present.

Data Rule: Must be 5 (Unstructured Street Address).

Data Item: *Name:* Establishment Street, *Element:* ADR C090/3286

Data Rule: Optional.

Data Rule: Minimum 1 and maximum 2 repeats.

Data Rule: Free format text. Each repeat must be non-blank.

Data Item: *Name:* Establishment City, *Element:* ADR 3164

Data Rule: Optional.

Data Rule: Free format text.

Data Item: *Name:* Establishment Postcode, *Element:* ADR 3251

Data Rule: Optional.

Data Rule: Free format text. Must be non-blank.

Data Item: *Name:* Establishment Country, *Element:* ADR 3207

Data Rule: Optional.

Data Rule: Free format text if required by the combination of commodity and destination. Must equal a Country Code (see Appendix E for Country Codes)

Data Item: *Name:* Establishment State, *Element:* ADR C819/3228

Data Rule: Optional.

Data Rule: Free format text. Must be non-blank.

5.2.3.164 Reason 13 (Lodge): GR20 CTA (Role – Processing Establishment Contact Details)

Segment Rule: Optional.

Segment Rule: An owner Processing Establishment Name must be present (GR19 PNA).

Data Item: *Name:* Contact Function, *Element:* CTA 3139

Data Rule: Must equal ZZZ.

5.2.3.165 Reason 13 (Lodge): GR20 COM (Role – Processing Establishment Phone Number)

Segment Rule: Optional.

Segment Rule: An owner Processing Establishment Contact Details must be present (GR20 CTA).

Data Item: *Name:* Establishment Phone Number, *Element:* COM C076/3148

Data Rule: Free format text. Must be non-blank.

Data Item: *Name:* Communication Number, *Element:* COM C076/3155

Data Rule: Must equal TE (Telephone).

5.2.3.166 Reason 13 (Lodge): UNT

Segment Rule: Mandatory. See 4.5 for UNT processing details.

5.3 Amend RFP

5.3.1 Function

The function of this message is to amend a formal RFP that is stored on the EXDOC system. (Note Order RFPs must be amended by resubmitting the Order message.)

Prescribed data in formal RFPs can be amended any time prior to RFP finalisation except if in transfer. In general, RFP lines may not be added or deleted. However, lines for Horticulture and Grain RFPs at INIT or FINL may be deleted. The Amend message must contain all non-generated data for a line that the exporter wishes to have stored on EXDOC, including data that has not been changed. Where the exporter does not wish to use the default value for a generated field, then that data must also be re-sent. Data must be sent for all lines, even if the lines have not been changed. EXDOC uses the message to completely overwrite the amendable data in its database if the data is accepted. Any data not re-supplied in the message will be deleted from the database. Note that this rule will also apply to multiple consignees, multiple transit countries, multiple loading ports, and multiple discharge ports.

Certain data items, such as those that describe the product, can be added but cannot be amended and, if incorrect, require the cancellation of the existing RFP and the lodgement of a new RFP. In general, exporters are restricted to the input or amendment of supplementary details not required in the initial RFP lodgement but which are required for the issue of a Certificate. The data that can be amended at different status values is specified in the Permission Matrix at Appendix C.

In the case where EXDOC is acting as a Customs agent for the exporter this function will also support the amendment of ICS data. Where ICS data is amended, EXDOC will automatically generate update messages to ICS.

Apart from its role in amending commercial data, the message can also be used by the exporter as a control mechanism, for example to request the printing of a Certificate if one has not yet been printed or to forward the RFP.

Amendment messages are acknowledged via the RFP Acknowledgment message.

5.3.2 Message

SANCRRT, with RFP Reason 4 (Amend).

5.3.3 Processing

The processing performed by the EXDOC system on amendments to formal RFPs, subject to the Permission Matrix, is the same as for the Lodge RFP message, with minor exceptions. The segments which have unique processing requirements in the Amend RFP message are listed below.

5.3.3.1 Reason 4 (Amend): GR0 BGM (Role – RFP Identification)

Segment Rule: Mandatory.

Data Item: *Name:* Commodity Type, *Element:* BGM C002/1001
 Data Rule: Must equal the Commodity Type Code stored for the RFP on the EXDOC database.

Data Item: *Name:* Code List Responsible Agency, *Element:* BGM C002/3055
 Data Rule: Must equal AQ

Data Item: *Name:* Priority, *Element:* BGM C002/1000

- Data Rule: Must equal 9 (Normal) or 0 (High).
Data Rule: If Priority equals High, Transport Mode must equal 4 (Air).
- Data Item: *Name:* RFP Number, *Element:* BGM 1004
Data Rule: The RFP Number must exist in EXDOC, with RFP Compliance Status equal to one of the values listed in the Permission Matrix except ORDR.
- Data Item: *Name:* RFP Reason, *Element:* BGM 1225
Data Rule: Must equal 4 (Amend).
- Data Item: *Name:* RFP Response Type, *Element:* BGM 4343
Data Rule: Not Required.
Data Rule: Must be null.

5.3.3.2 Reason 4 (Amend): GR0 RFF (Role – Exporter Reference)

Segment Rule: Mandatory.

- Data Item: *Name:* Reference Qualifier, *Element:* RFF C506/1153
Data Rule: Must equal ABE (Declarant's Reference).

- Data Item: *Name:* Exporter Reference, *Element:* RFF C506/1154
Data Rule: Free format text. Must be unique for the exporter.

5.3.3.3 Reason 4 (Amend): GR0 FTX (Role – Amended Information)

Segment Rule: Conditional. May be supplied if Commodity Type is set to 'H' (Horticulture) or 'G' (Grain), otherwise not allowed.

Segment Rule: Can only be and must be supplied if specific data is changed after authorisation.

Segment Rule: Repeats not allowed.

- Data Item: *Name:* Text Subject Qualifier, *Element:* FTX 4451
Data Rule: Must equal CHG (Change information).

- Data Item: *Name:* Amended Information, *Element:* FTX C108/4440
Data Rule: Maximum of 8 occurrence of this data item allowed.
Data Rule: Free format text.
Data Rule: Any spaces will be stored and printed.

5.3.3.4 Reason 4 (Amend): GR0 MOA (Role – FOB Currency Unit)

Segment Rule: Optional. Can only be present if Customs Agent Indicator equals Y
Segment Rule: Exdoc will not transmit this field in any outward messages to industry. If an RFP is Forwarded or Transferred then the new owner will have to re-enter the value.

- Data Item: *Name:* Monetary Amount Qualifier, *Element:* MOA C516/5025
Data Rule: Must equal 63 (Free On Board Value).

- Data Item: *Name:* FOB Currency Unit, *Element:* MOA C516/6345
Data Rule: Must equal a Currency Code as defined by ISO 4217 (see Appendix E for Currency Codes).

5.3.3.5 Reason 4 (Amend): GR0 GIS (Role – Customs Agent Indicator)

Segment Rule: Optional.

Data Item: *Name:* Customs Agent Indicator, *Element:* GIS C529/7365

Data Rule: Must equal Y (Yes).

Note: The indicator cannot be amended from Yes to No. Cancellation of the agent role must be effected via the cancellation of the RFP.

Data Item: *Name:* Code List Responsible Agency, *Element:* GIS C529/3055

Data Rule: Must equal AQ

Data Item: *Name:* Code List Qualifier, *Element:* GIS C529/7187

Data Rule: Must equal ACS.

5.3.3.6 Reason 4 (Amend): GR2 PNA (Role – Owner Exporter Number)

Segment Rule: Mandatory.

Data Item: *Name:* Party Qualifier, *Element:* PNA 3035

Data Rule: Must equal EX (Exporter).

Data Item: *Name:* Owner Exporter Number, *Element:* PNA C206/7402

Data Rule: Must equal the Owner Exporter Number stored for the RFP on the EXDOC database.

5.3.3.7 Reason 4 (Amend): GR9 PNA (Role – RFP Authorising Officer Identifier)

Segment Rule: Conditional. If AQA information is being amended then a valid Authorised AQA User Identifier must be supplied. A 'Q' in the Change Permissions Matrix in Appendix C identifies AQA information.

Segment Rule: If the RFP has been previously AQA authorised then either a valid Authorised AQA User Identifier or 'XXXXXXXX' must be supplied.

Segment Rule: If supplied and an RFP Authorising Officer Identifier is already present in the RFP, the RFP Authorising Officer Identifier in the RFP message must be valid for the nominated establishment.

Note: An AQA establishment can nominate the RFP Authorising Officer Identifier at INIT or FINL (which, if the RFP has sufficient information, will cause a promotion of RFP status, for example to INSP or HCRD). If there is insufficient information, the RFP stays at either INIT or FINL. The RFP Authorising Officer Identifier can optionally be re-sent in subsequent amendment messages.

Data Item: *Name:* Party Qualifier, *Element:* PNA 3035

Data Rule: Must equal AV (Authorising Official).

Data Item: *Name:* RFP Authorising Officer Identifier, *Element:* PNA C206/7402

Data Rule: Must equal an Authorised AQA User Identifier.

Data Rule: The data stored in this field should never be displayed to the user or printed on any report.

5.3.3.8 Reason 4 (Amend): GR11 MOA (Role – FOB Amount)

Segment Rule: Optional. If Commodity Type is not set to 'D' (Dairy) can only be present if Customs Agent Indicator equals 'Y'.

Segment Rule: Optional. If Commodity Type is set to 'D' (Dairy) then mandatory if certificate is not required, otherwise optional but must be present before certificate can be produced.

Segment Rule: EXDOC will not transmit this field in any outward messages to industry. If an RFP is Forwarded or Transferred then the new owner will have to re-enter the value.

Data Item: *Name:* Monetary Amount Qualifier, *Element:* MOA C516/5025

Data Rule: Must equal 63 (Free On Board Value).

Data Item: *Name:* FOB Amount, *Element:* MOA C516/5004

Data Rule: Must equal a monetary amount.

5.4 Mini Amend RFP

5.4.1 Function

The function of this message is to amend a subset of the information that is stored for a formal RFP on the EXDOC system. The data items that may be amended are indicated in the Message/Segment Summary at Appendix B, and include those that are most commonly amended once the RFP has been lodged. All data in the defined subset, subject to the Permission Matrix at Appendix C, can be amended any time prior to RFP finalisation except if in transfer. Lines may not be added or deleted.

Where a Mini Amend message is used, it must contain every item in the defined subset that the exporter wishes to have stored on EXDOC, including data that has not been changed. Data must be sent for all lines, even if the lines have not been changed. EXDOC uses the message to overwrite completely the subset in its database if the data is accepted. Any subset data that is not re-supplied in the message will be deleted from the database.

As is the case with Amend RFP, data amendments are restricted by RFP status and country and destination. The data that can be amended at different status values is specified in the Permission Matrix at Appendix C.

In the case where EXDOC is acting as a Customs agent for the exporter this function will also support the amendment of ICS data. Where ICS data is amended, EXDOC will automatically generate update messages to ICS.

Mini Amendment messages are acknowledged via the RFP Acknowledgment message.

5.4.2 Message

SANCRRT, with RFP Reason 5 (Mini Amend).

5.4.3 Processing

The processing performed by the EXDOC system on amendments to formal RFPs, subject to the Permission Matrix, is the same as for the Lodge RFP message, with minor exceptions. The segments which have unique processing requirements in the Mini Amend RFP message are listed below.

5.4.3.1 Reason 5 (Mini Amend): GR0 BGM (Role – RFP Identification)

Segment Rule: Mandatory.

Data Item: *Name:* Commodity Type, *Element:* BGM C002/1001
 Data Rule: Must equal the Commodity Type Code stored for the RFP on the EXDOC database.

Data Item: *Name:* Code List Responsible Agency, *Element:* BGM C002/3055
 Data Rule: Must equal AQ

Data Item: *Name:* Priority, *Element:* BGM C002/1000
 Data Rule: Must equal 9 (Normal) or 0 (High).
 Data Rule: If Priority equals High, Transport Mode must equal 4 (Air).

Data Item: *Name:* RFP Number, *Element:* BGM 1004
 Data Rule: The RFP Number must exist in EXDOC, with RFP Compliance Status equal to one of the values listed in the Permission Matrix except ORDR.

Data Item: *Name:* RFP Reason, *Element:* BGM 1225
Data Rule: Must equal 5 (Mini Amend).

Data Item: *Name:* RFP Response Type, *Element:* BGM 4343
Data Rule: Not Required.
Data Rule: Must be null.

5.4.3.2 Reason 5 (Mini Amend): GR2 PNA (Role – Owner Exporter Number)

Segment Rule: Mandatory.

Data Item: *Name:* Party Qualifier, *Element:* PNA 3035
Data Rule: Must equal EX (Exporter).

Data Item: *Name:* Owner Exporter Number, *Element:* PNA C206/7402
Data Rule: Must equal the Owner Exporter Number stored for the RFP on the EXDOC database.

5.5 Delete RFP

5.5.1 Function

The function of this message is to delete an RFP from the EXDOC system. If accepted, the RFP is physically deleted from the EXDOC database.

Deletion may occur any time prior to the issue of an EPN, that is, prior to it attaining a status of INSP or HCRD. Once an RFP has attained a status of INSP or HCRD it cannot be deleted. Departmental staff can *cancel* an RFP, which has a similar effect to deletion, but leaves the RFP record on the EXDOC database.

Deletion requests are acknowledged via the RFP Acknowledgment message, which has a reference but not an RFP number. The acknowledgments include a notice confirming the deletion of the RFP.

In the case where EXDOC is acting as a Customs agent for the exporter this function will also invoke the automatic submission of appropriate ICS transactions via the EXDOC system.

5.5.2 Message

SANCRT, with RFP Reason 1 (Delete).

5.5.3 Processing

The following validation is performed by the EXDOC system on this type of message. Segments not listed are not required and not allowed.

5.5.3.1 Reason 1 (Delete): UNH

Segment Rule: Mandatory. See 4.4 for UNH processing details.

5.5.3.2 Reason 1 (Delete): GR0 BGM (Role – RFP Identification)

Segment Rule: Mandatory.

Data Item: *Name:* Commodity Type, *Element:* BGM C002/1001

Data Rule: Must equal the Commodity Type Code stored for the RFP on the EXDOC database.

Data Item: *Name:* Code List Responsible Agency, *Element:* BGM C002/3055

Data Rule: Must equal AQ

Data Item: *Name:* Priority, *Element:* BGM C002/1000

Data Rule: Must equal 9 (Normal).

Data Item: *Name:* RFP Number, *Element:* BGM 1004

Data Rule: The RFP Number must exist in EXDOC, with RFP Compliance Status equal to ORDR, INIT or FINL.

Data Item: *Name:* RFP Reason, *Element:* BGM 1225

Data Rule: Must equal 1 (Delete).

Data Item: *Name:* RFP Response Type, *Element:* BGM 4343

Data Rule: Not Required.

Data Rule: Must be null.

5.5.3.3 Reason 1 (Delete): GR0 RFF (Role – Exporter Reference)

Segment Rule: Mandatory.

Data Item: *Name:* Reference Qualifier, *Element:* RFF C506/1153

Data Rule: Must equal ABE (Declarant's Reference).

Data Item: *Name:* Exporter Reference, *Element:* RFF C506/1154

Data Rule: Must equal the Exporter Reference stored for the RFP on the EXDOC database.

5.5.3.4 Reason 1 (Delete): GR2 PNA (Role – Owner Exporter Number)

Segment Rule: Mandatory.

Data Item: *Name:* Party Qualifier, *Element:* PNA 3035

Data Rule: Must equal EX (Exporter).

Data Item: *Name:* Owner Exporter Number, *Element:* PNA C206/7402

Data Rule: Must equal the Owner Exporter Number stored for the RFP on the EXDOC database.

5.5.3.5 Reason 1 (Delete): UNT

Segment Rule: Mandatory. See 4.5 for UNT processing details.

5.6 RFP Acknowledgment

5.6.1 Function

The function of this message is to acknowledge the lodgement, amendment or deletion by the exporter of an RFP in the EXDOC system, to advise that a deferred RFP forward has occurred, or to reject invalid requests. The acknowledgment includes data items generated by EXDOC during processing of the exporter message, together with any relevant errors and warnings. (See Reissue RFP for the message sent as the result of a departmental amendment.) Segments are mostly conditional in this type of message because an RFP may not exist on the database, including timestamp and status segments.

5.6.2 Message

SANCRT, with RFP Reason 11 (Acknowledgment).

5.6.3 Processing

The following information is supplied by EXDOC in this type of message.

5.6.3.1 Reason 11 (Ack): UNH

Segment Rule: Mandatory. See 4.4 for UNH processing details.

5.6.3.2 Reason 11 (Ack): GR0 BGM (Role – RFP Identification)

Segment Rule: Mandatory.

Data Item: *Name:* Commodity Type, *Element:* BGM C002/1001
 Data Rule: Conditional.
 Data Rule: If RFP exists, is set to the Commodity Type Code stored for the RFP on the EXDOC database.
 Data Rule: If RFP does not exist, is set to null.

Data Item: *Name:* Code List Responsible Agency, *Element:* BGM C002/3055
 Data Rule: Is set to AQ.

Data Item: *Name:* Priority, *Element:* BGM C002/1000
 Data Rule: Is set to 9 (Normal).

Data Item: *Name:* RFP Number, *Element:* BGM 1004
 Data Rule: Conditional.
 Data Rule: If RFP existed, is set to previously allocated RFP Number.
 Data Rule: If RFP created, is set to newly allocated RFP number.
 Data Rule: If RFP does not exist, is set to null.

Data Item: *Name:* RFP Reason, *Element:* BGM 1225
 Data Rule: Is set to 11 (Acknowledge).

Data Item: *Name:* RFP Response Type, *Element:* BGM 4343
 Data Rule: Is set to AP (Accepted) or RE (Rejected).

5.6.3.3 Reason 11 (Ack): GR0 DTM (Role – RFP Status Timestamp)

Segment Rule: Conditional. Is not present if the acknowledgment is in response to a failed message or the RFP does not exist.

Data Item: *Name: Date/time/period Qualifier, Element: DTM C507/2005*
Data Rule: Is set to 9 (Processing Date/Time).

Data Item: *Name: RFP Status Timestamp, Element: DTM C507/2380*
Data Rule: Is set to the date and time the RFP was last processed.

Data Item: *Name: Date/time/period Format Qualifier, Element: DTM C507/2379*
Data Rule: Is set to 204 (ccyymmddhhmmss).

5.6.3.4 Reason 11 (Ack): GR0 DTM (Role – RFP Lodgement Timestamp)

Segment Rule: Conditional. Is not present if the acknowledgment is in response to a failed message or the RFP does not exist.

Data Item: *Name: Date/time/period Qualifier, Element: DTM C507/2005*
Data Rule: Is set to 137 (Document Date/Time).

Data Item: *Name: RFP Lodgement Timestamp, Element: DTM C507/2380*
Data Rule: Is set to the date and time the RFP was initially lodged, either via an Order or Lodge submission.

Data Item: *Name: Date/time/period Format Qualifier, Element: DTM C507/2379*
Data Rule: Is set to 204 (ccyymmddhhmmss).

5.6.3.5 Reason 11 (Ack): GR0 DTM (Role – RFP Last Amend Timestamp)

Segment Rule: Conditional. Is not present if the acknowledgment is in response to a failed message or the RFP does not exist.

Data Item: *Name: Date/time/period Qualifier, Element: DTM C507/2005*
Data Rule: Is set to 7 (Effective Date/Time).

Data Item: *Name: RFP Last Amend Timestamp, Element: DTM C507/2380*
Data Rule: Is set to the date and time the RFP was last amended on the EXDOC database.

Data Item: *Name: Date/time/period Format Qualifier, Element: DTM C507/2379*
Data Rule: Is set to 204 (ccyymmddhhmmss).

5.6.3.6 Reason 11 (Ack): GR0 STS (Role – Compliance Status)

Segment Rule: Conditional. Is not present if the acknowledgment is in response to a failed message or the RFP does not exist.

Data Item: *Name: Status Type, Element: STS C601/9015*
Data Rule: Is set to COM (RFP Compliance Status).

Data Item: *Name: Code List Responsible Agency, Element: STS C601/3055*
Data Rule: Is set to AQ.

Data Item: *Name: Status Reason, Element: STS C556/9013*
Data Rule: Is set to COM (RFP Compliance Status).

Data Item: *Name:* Code List Responsible Agency, *Element:* STS C556/3055
Data Rule: Is set to AQ.

Data Item: *Name:* Status Value, *Element:* STS C556/9012
Data Rule: Is set the value stored for this data element in EXDOC.

5.6.3.7 Reason 11 (Ack): GR0 STS (Role – Transfer Status)

Segment Rule: Conditional. Is not present if the acknowledgment is in response to a failed message or the RFP does not exist.

Data Item: *Name:* Status Type, *Element:* STS C601/9015
Data Rule: Is set to TRN (Transfer Status).

Data Item: *Name:* Code List Responsible Agency, *Element:* STS C601/3055
Data Rule: Is set to AQ.

Data Item: *Name:* Status Value, *Element:* STS C556/9013
Data Rule: Is set the value stored for this data element in EXDOC.

Data Item: *Name:* Code List Responsible Agency, *Element:* STS C556/3055
Data Rule: Is set to AQ.

5.6.3.8 Reason 11 (Ack): GR0 STS (Role – Embargo Status)

Segment Rule: Conditional. Is not present if the acknowledgment is in response to a failed message or the RFP does not exist.

Segment Rule: Subject to above, is only present if Customs Agent Indicator equals Y.

Data Item: *Name:* Status Type, *Element:* STS C601/9015
Data Rule: Is set to EMB (Embargo Status).

Data Item: *Name:* Code List Responsible Agency, *Element:* STS C601/3055
Data Rule: Is set to AQ.

Data Item: *Name:* Status Value, *Element:* STS C556/9013
Data Rule: Is set the value stored for this data element in EXDOC.

Data Item: *Name:* Code List Responsible Agency, *Element:* STS C556/3055
Data Rule: Is set to 95 (Australian Customs).

5.6.3.9 Reason 11 (Ack): GR0 RFF (Role – Exporter Reference)

Segment Rule: Conditional. Is not present if the acknowledgment is in response to a failed message or the RFP does not exist.

Data Item: *Name:* Reference Qualifier, *Element:* RFF C506/1153
Data Rule: Is set to ABE (Declarant's Reference).

Data Item: *Name:* Exporter Reference, *Element:* RFF C506/1154
Data Rule: Is set the value stored for this data element in EXDOC.

5.6.3.10 Reason 11 (Ack): GR0 RFF (Role – EPN)

Segment Rule: Conditional. Is not present if the acknowledgment is in response to a failed message or the RFP does not exist.

Segment Rule: Subject to above, is present if an EPN has been allocated.

Data Item: *Name:* Reference Qualifier, *Element:* RFF C506/1153

Data Rule: Is set to EP (Export Permit Number).

Data Item: *Name:* Exporter Reference, *Element:* RFF C506/1154

Data Rule: Is set the value stored for this data element in EXDOC.

5.6.3.11 Reason 11 (Ack): GR0 RFF (Role – ECN/EDN)

Segment Rule: Conditional. Is not present if the acknowledgment is in response to a failed message or the RFP does not exist.

Segment Rule: Subject to above, is only present if Customs Agent Indicator equals Y.

Data Item: *Name:* Reference Qualifier, *Element:* RFF C506/1153

Data Rule: Is set to AAE (Goods Declaration Number).

Data Item: *Name:* ECN or EDN, *Element:* RFF C506/1154

Data Rule: Is set to the value stored for this data element in EXDOC.

5.6.3.12 Reason 11 (Ack): GR0 FTX (Role – Notice)

Segment Rule: Conditional. Is only present if errors or warnings are generated for the SANCRT message.

Segment Rule: Conditional. If Customs Agent Indicator is set to Y then all Error/Warning/Information messages received by EXDOC from ICS will be included along with any EXDOC messages.

Data Item: *Name:* Text Subject Qualifier, *Element:* FTX 4451

Data Rule: Is set to AAO (Error Description).

Data Item: *Name:* Notice, *Element:* FTX C108/4440

Data Rule: Minimum 1 and maximum 2 repeats.

Data Rule: Is set to an error or warning message as described by Section 6.

5.6.3.13 Reason 11 (Ack): GR2 PNA (Role – Owner Exporter Number)

Segment Rule: Conditional. Is not present if the acknowledgment is in response to a failed message or the RFP does not exist.

Segment Rule: Subject to above, Mandatory.

Data Item: *Name:* Party Qualifier, *Element:* PNA 3035

Data Rule: Is set to EX (Exporter).

Data Item: *Name:* Owner Exporter Number, *Element:* PNA C206/7402

Data Rule: Is set the value stored for this data element in EXDOC.

5.6.3.14 Reason 11 (Ack): GR11 LIN (Role – Line Identifier)

Segment Rule: Conditional. Is only present if stored on the EXDOC database.

Data Item: *Name:* Line Number, *Element:* LIN 1082

Data Rule: Is set to the number of the line on the EXDOC database.

Note: Because, very occasionally, lines may be deleted by departmental staff, line numbers are not necessarily contiguous.

5.6.3.15 Reason 11 (Ack): GR11 IMD (Role – Generated Product Description)

Segment Rule: Conditional. Is only present if stored on the EXDOC database.

Note: The segment is not sent if the RFP is an Order RFP and there is insufficient information to describe product, nor if the product description is exporter supplied.

Data Item: *Name:* Item Description Identification, *Element:* IMD C273/7009

Data Rule: Is set to GHCn (System Generated Certificate), where 'n' is 1 for the first segment holding description text, 2 for an additional segment if required.

Data Item: *Name:* Certificate Product Description, *Element:* IMD C273/7008

Data Rule: Is set with up to the first 175 characters stored for this data element in EXDOC. If system generated and the product description is over 175 characters, an additional IMD is sent with the remaining characters.

5.6.3.16 Reason 11 (Ack): GR12 DOC (Role – Assigned Primary Certificate)

Segment Rule: Conditional. Is only present if stored on the EXDOC database and, the acknowledgment is not in response to a failed message and the RFP does exist.

Segment Rule: This segment may be repeated in situations where the CRF is used for the RFP and an RFP line is split across different primary certificates.

Data Item: *Name:* Document Name, *Element:* DOC C002/1001

Data Rule: Is set to 852 (Primary Sanitary Certificate)

Data Item: *Name:* Certificate Template & Endorsement, *Element:* DOC C002/1000

Data Rule: Is set to an assigned Certificate Template & Endorsement Code.

Data Item: *Name:* Certificate Number, *Element:* DOC C503/1004

Data Rule: Is set to an assigned Certificate Number.

Data Item: *Name:* Document Status, *Element:* DOC C503/1373

Data Rule: Is set to 1 (Accepted).

5.6.3.17 Reason 11 (Ack): GR12 DOC (Role – Assigned Secondary Certificate)

Segment Rule: Conditional. Is only present if stored on the EXDOC. Where secondary Certificates are assigned, the segment is repeated for each secondary certificate.

Data Item: *Name:* Document Name, *Element:* DOC C002/1001

Data Rule: Is set to 3 (Associated Sanitary Certificate)

Data Item: *Name:* Certificate Template & Endorsement, *Element:* DOC C002/1000

Data Rule: Is set to an assigned Certificate Template & Endorsement Code.

Data Item: *Name:* Certificate Number, *Element:* DOC C503/1004

Data Rule: Is set to an assigned Certificate Number.

Data Item: *Name:* Document Status, *Element:* DOC C503/1373

Data Rule: Is set to 1 (Accepted).

5.6.3.18 Reason 11 (Ack): UNT

Segment Rule: Mandatory. See 4.5 for UNT processing details.

5.7 Reissue RFP

5.7.1 Function

The function of this message is to provide an updated copy of an RFP following a non-exporter amendment. Non-exporter amendments can be as a result of departmental staff amendment or activity against the RFP in the EXDOC database. The Reissue includes data items generated by EXDOC during processing of the amendment, together with any relevant errors and warnings. (See RFP Acknowledgment for the message sent as the result of *Exporter* amendment.)

5.7.2 Message

SANCRT, with RFP Reason 18 (Reissue).

5.7.3 Processing

EXDOC extracts all information that is stored for the RFP on the EXDOC database for transmission in this type of message. The segments sent are defined in the Message/Segment Summary at Appendix B. Most segments are treated as conditional in this message, reflecting the fact that the reissue could be for an Order RFP.

5.7.3.1 Reason 18 (Reissue): UNH

Segment Rule: Mandatory. See 4.4 for UNH processing details.

5.7.3.2 Reason 18 (Reissue): GR0 BGM (Role – RFP Identification)

Segment Rule: Mandatory.

Data Item: *Name:* Commodity Type, *Element:* BGM C002/1001
Data Rule: Is set to the Commodity Type Code stored for the RFP on the EXDOC database.

Data Item: *Name:* Code List Responsible Agency, *Element:* BGM C002/3055
Data Rule: Is set to AQ.

Data Item: *Name:* Priority, *Element:* BGM C002/1000
Data Rule: Is set to 9 (Normal).

Data Item: *Name:* RFP Number, *Element:* BGM 1004
Data Rule: Is set to the value stored for this data element in EXDOC.

Data Item: *Name:* RFP Reason, *Element:* BGM 1225
Data Rule: Is set to 18 (Reissue).

Data Item: *Name:* RFP Response Type, *Element:* BGM 4343
Data Rule: Not Required.
Data Rule: Is set to Null.

5.7.3.3 Reason 18 (Reissue): GR0 DTM (Role – RFP Status Timestamp)

Segment Rule: Mandatory.

Data Item: *Name:* Date/time/period Qualifier, *Element:* DTM C507/2005
Data Rule: Is set to 9 (Processing Date/Time).

Data Item: *Name: RFP Status Timestamp, Element: DTM C507/2380*
Data Rule: Is set to the date and time the RFP was last processed.

Data Item: *Name: Date/time/period Format Qualifier, Element: DTM C507/2379*
Data Rule: Is set to 204 (ccyymmddhhmmss).

5.7.3.4 Reason 18 (Reissue): GR0 DTM (Role – RFP Lodgement Timestamp)

Segment Rule: Mandatory.

Data Item: *Name: Date/time/period Qualifier, Element: DTM C507/2005*
Data Rule: Is set to 137 (Document Date/Time).

Data Item: *Name: RFP Lodgement Timestamp, Element: DTM C507/2380*
Data Rule: Is set to the date and time the RFP was initially lodged, either via an Order or Lodge submission.

Data Item: *Name: Date/time/period Format Qualifier, Element: DTM C507/2379*
Data Rule: Is set to 204 (ccyymmddhhmmss).

5.7.3.5 Reason 18 (Reissue): GR0 DTM (Role – Pack Date)

Segment Rule: Conditional. Is only present if stored on the EXDOC database.

Data Item: *Name: Date/time/period Qualifier, Element: DTM C507/2005*
Data Rule: Must equal 365 (Packaging date).

Data Item: *Name: Pack Date, Element: DTM C507/2380*
Data Rule: Is set to the value stored for this data element in EXDOC.

Data Item: *Name: Date/time/period Format Qualifier, Element: DTM C507/2379*
Data Rule: Is set to 102 (ccyymmdd).

5.7.3.6 Reason 18 (Reissue): GR0 DTM (Role – RFP Last Amend Timestamp)

Segment Rule: Mandatory.

Data Item: *Name: Date/time/period Qualifier, Element: DTM C507/2005*
Data Rule: Is set to 7 (Effective Date/Time).

Data Item: *Name: RFP Last Amend Timestamp, Element: DTM C507/2380*
Data Rule: Is set to the date and time the RFP was last amended on the EXDOC database.

Data Item: *Name: Date/time/period Format Qualifier, Element: DTM C507/2379*
Data Rule: Is set to 204 (ccyymmddhhmmss).

5.7.3.7 Reason 18 (Reissue): GR0 STS (Role – Compliance Status)

Segment Rule: Mandatory.

Data Item: *Name: Status Type, Element: STS C601/9015*
Data Rule: Is set to COM (RFP Compliance Status).

Data Item: *Name: Code List Responsible Agency, Element: STS C601/3055*
Data Rule: Is set to AQ.

Data Item: *Name: Status Reason, Element: STS C556/9013*
Data Rule: Is set to COM (RFP Compliance Status).

Data Item: *Name: Code List Responsible Agency, Element: STS C556/3055*
Data Rule: Is set to AQ.

Data Item: *Name: Status Value, Element: STS C556/9012*
Data Rule: Is set to an RFP Compliance Status Code (see Appendix E for valid code values).

5.7.3.8 Reason 18 (Reissue): GR0 STS (Role – Transfer Status)

Segment Rule: Mandatory.

Data Item: *Name: Status Type, Element: STS C601/9015*
Data Rule: Is set to TRN (Transfer Status).

Data Item: *Name: Code List Responsible Agency, Element: STS C601/3055*
Data Rule: Is set to AQ.

Data Item: *Name: Status Value, Element: STS C556/9013*
Data Rule: Is set the value stored for this data element in EXDOC.

Data Item: *Name: Code List Responsible Agency, Element: STS C556/3055*
Data Rule: Is set to AQ.

5.7.3.9 Reason 18 (Reissue): GR0 STS (Role – Embargo Status)

Segment Rule: Conditional. Is only present if Customs Agent Indicator equals Y.

Data Item: *Name: Status Type, Element: STS C601/9015*
Data Rule: Is set to EMB (Embargo Status).

Data Item: *Name: Code List Responsible Agency, Element: STS C601/3055*
Data Rule: Is set to AQ.

Data Item: *Name: Status Value, Element: STS C556/9013*
Data Rule: Is set to the value stored for this data element in EXDOC. Valid values are controlled by the ACS.

Data Item: *Name: Code List Responsible Agency, Element: STS C556/3055*
Data Rule: Is set to 95 (Australian Customs).

5.7.3.10 Reason 18 (Reissue): GR0 LOC (Role – Border Inspection Port)

Segment Rule: Conditional. Is only present if stored on the EXDOC database.

Data Item: *Name: Location Qualifier, Element: LOC 3227*
Data Rule: Must equal 43 (Place of inspection).

Data Item: *Name: Discharge Port, Element: LOC C517/3225*
Data Rule: Is set to the value stored for this data element in EXDOC.

5.7.3.11 Reason 18 (Reissue): GR0 LOC (Role – Loading Port)

Segment Rule: Conditional. Is only present if stored on the EXDOC database.

Data Item: *Name:* Location Qualifier, *Element:* LOC 3227

Data Rule: Is set to 9 (Place/Port of Loading).

Data Item: *Name:* Loading Port, *Element:* LOC C517/3225

Data Rule: Is set to the value stored for this data element in EXDOC.

5.7.3.12 Reason 18 (Reissue): GR0 LOC (Role – Discharge Port)

Segment Rule: Conditional. Is only present if stored on the EXDOC database.

Segment Rule: Subject to above, repeatable.

Data Item: *Name:* Location Qualifier, *Element:* LOC 3227

Data Rule: Is set to 12 (Place/Port of Discharge).

Data Item: *Name:* Discharge Port, *Element:* LOC C517/3225

Data Rule: Is set to the value stored for this data element in EXDOC.

Data Rule: If Commodity Type is set to 'G' (Grains) or 'H' (Horticulture), must be valid for the selected transport mode (See UNLOCODE for valid transport mode of Discharge Port)

5.7.3.13 Reason 18 (Reissue): GR0 LOC (Role – Destination City)

Segment Rule: Conditional. Is only present if stored on the EXDOC database.

Data Item: *Name:* Location Qualifier, *Element:* LOC 3227

Data Rule: Is set to 8 (Place of Destination).

Data Item: *Name:* Destination City, *Element:* LOC C517/3225

Data Rule: Is set to the value stored for this data element in EXDOC.

5.7.3.14 Reason 18 (Reissue): GR0 LOC (Role – Destination Country)

Segment Rule: Conditional. Is only present if stored on the EXDOC database.

Data Item: *Name:* Location Qualifier, *Element:* LOC 3227

Data Rule: Is set to 36 (Country of Ultimate Destination).

Data Item: *Name:* Destination Country, *Element:* LOC C517/3225

Data Rule: Is set to the value stored for this data element in EXDOC.

5.7.3.15 Reason 18 (Reissue): GR0 LOC (Role – Product Source Country)

Segment Rule: Conditional. Is only present if stored on the EXDOC database.

Data Item: *Name:* Location Qualifier, *Element:* LOC 3227

Data Rule: Is set to 30 (Country of Production).

Data Item: *Name:* Product Source Country, *Element:* LOC C517/3225

Data Rule: Is set to the value stored for this data element in EXDOC.

5.7.3.16 Reason 18 (Reissue): GR0 LOC (Role – Transit Country)

Segment Rule: Conditional. Is only present if stored on the EXDOC database.

Segment Rule: Subject to above, repeatable.

Data Item: *Name:* Location Qualifier, *Element:* LOC 3227
Data Rule: Is set to 49 (Country of Transit).

Data Item: *Name:* Transit Country, *Element:* LOC C517/3225
Data Rule: Is set to the value stored for this data element in EXDOC.

5.7.3.17 Reason 18 (Reissue): GR0 LOC (Role – Certificate Required Location)

Segment Rule: Conditional. Is present if stored on the EXDOC database.

Data Item: *Name:* Location Qualifier, *Element:* LOC 3227
Data Rule: Is set to 91 (Place of Document Issue).

Data Item: *Name:* Certificate Required Location, *Element:* LOC C517/3225
Data Rule: Is set to the value stored for this data element in EXDOC.

5.7.3.18 Reason 18 (Reissue): GR0 LOC (Role – Print Region)

Segment Rule: Conditional. Is present if stored on the EXDOC database.

Data Item: *Name:* Location Qualifier, *Element:* LOC 3227
Data Rule: Is set to 48 (Region of Production)

Data Item: *Name:* Print Region, *Element:* LOC C517/3225
Data Rule: Is set to the value stored for this data element in EXDOC.

5.7.3.19 Reason 18 (Reissue): GR0 RFF (Role – Exporter Reference)

Segment Rule: Mandatory. Is always sent to enable unique identification of the message in the Exporter System.

Data Item: *Name:* Reference Qualifier, *Element:* RFF C506/1153
Data Rule: Is set to ABE (Declarant's Reference).

Data Item: *Name:* Exporter Reference, *Element:* RFF C506/1154
Data Rule: Is set to the value stored for this data element in EXDOC.

5.7.3.20 Reason 18 (Reissue): GR0 RFF (Role – EPN)

Segment Rule: Conditional. Is only present if stored on the EXDOC database.

Data Item: *Name:* Reference Qualifier, *Element:* RFF C506/1153
Data Rule: Is set to EP (Export Permit Number).

Data Item: *Name:* Exporter Reference, *Element:* RFF C506/1154
Data Rule: Is set to the value stored for this data element in EXDOC.

5.7.3.21 Reason 18 (Reissue): GR0 RFF (Role – ECN/EDN)

Segment Rule: Conditional. Is only present if stored on the EXDOC database.

Data Item: *Name:* Reference Qualifier, *Element:* RFF C506/1153
Data Rule: Is set to AAE (Goods Declaration Number).

Data Item: *Name:* ECN or EDN, *Element:* RFF C506/1154
Data Rule: Is set to the value stored for this data element in EXDOC.

5.7.3.22 Reason 18 (Reissue): GR0 FTX (Role – Exporter Declaration)

Segment Rule: Conditional. Is only present if stored on the EXDOC database.

Data Item: *Name:* Text Subject Qualifier, *Element:* FTX 4451

Data Rule: Is set to DCL (Declaration).

Data Item: *Name:* Exporter Declaration, *Element:* FTX C108/4440

Data Rule: Is set to the value stored for this data element in EXDOC.

5.7.3.23 Reason 18 (Reissue): GR0 FTX (Role – Inspector Comments)

Segment Rule: Conditional. Is only present if stored on the EXDOC database.

Data Item: *Name:* Text Subject Qualifier, *Element:* FTX 4451

Data Rule: Is set to AAY (Certification Statements).

Data Item: *Name:* Inspector Comments, *Element:* FTX C108/4440

Data Rule: Is set to the value stored for this data element in EXDOC.

5.7.3.24 Reason 18 (Reissue): GR0 FTX (Role – Notify Party Text)

Segment Rule: Conditional. Is only present if stored on the EXDOC database.

Data Item: *Name:* Text Subject Qualifier, *Element:* FTX 4451

Data Rule: Is set to AAG (Notify Party).

Data Item: *Name:* Notify Party Text, *Element:* FTX C108/4440

Data Rule: Is set to the value stored for this data element in EXDOC.

5.7.3.25 Reason 18 (Reissue): GR0 FTX (Role – Letter of Credit Text)

Segment Rule: Conditional. Is only present if stored on the EXDOC database.

Data Item: *Name:* Text Subject Qualifier, *Element:* FTX 4451

Data Rule: Is set to AAW (Letter of Credit).

Data Item: *Name:* Letter of Credit Text, *Element:* FTX C108/4440

Data Rule: Is set to the value stored for this data element in EXDOC.

5.7.3.26 Reason 18 (Reissue): GR0 FTX (Role – Additional Information)

Segment Rule: Conditional. Is only present if stored on the EXDOC database.

Data Item: *Name:* Text Subject Qualifier, *Element:* FTX 4451

Data Rule: Is set to ACB (Additional Information).

Data Item: *Name:* Additional Information Text, *Element:* FTX C108/4440

Data Rule: Is set to the value stored for this data element in EXDOC.

5.7.3.27 Reason 18 (Reissue): GR0 FTX (Role – Origin/Catching Zone)

Segment Rule: Conditional. Is only present if stored on the EXDOC database.

Data Item: *Name:* Text Subject Qualifier, *Element:* FTX 4451

Data Rule: Is set to OCZ (Origin/Catching Zone).

Data Item: *Name:* Origin/Catching Zone Text, *Element:* FTX C108/4440

Data Rule: Is set to the value stored for this data element in EXDOC.

5.7.3.28 Reason 18 (Reissue): GR0 FTX (Role – Lot Number)

Segment Rule: Conditional. Is only present if stored on the EXDOC database.

Data Item: *Name:* Text Subject Qualifier, *Element:* FTX 4451

Data Rule: Is set to MKS (Additional marks/numbers information).

Data Item: *Name:* Lot Number Text, *Element:* FTX C108/4440

Data Rule: Is set to the value stored for this data element in EXDOC.

5.7.3.29 Reason 18 (Reissue): GR0 FTX (Role – Amended Information)

Segment Rule: Conditional. Only present if stored on the EXDOC Database.

Data Item: *Name:* Text Subject Qualifier, *Element:* FTX 4451

Data Rule: Is set to CHG (Change information).

Data Item: *Name:* Amended Information, *Element:* FTX C108/4440

Data Rule: Is set to the value stored for this data element in EXDOC.

5.7.3.30 Reason 18 (Reissue): GR0 FTX (Role – Embargo Message)

Segment Rule: Conditional. Is only present if stored on the EXDOC database.

Data Item: *Name:* Text Subject Qualifier, *Element:* FTX 4451

Data Rule: Is set to CCI (Customs Clearance Instructions).

Data Item: *Name:* Embargo Message, *Element:* FTX C108/4440

Data Rule: Is set to the value stored for this data element in EXDOC.

5.7.3.31 Reason 18 (Reissue): GR0 FTX (Role – Notice)

Segment Rule: Conditional. Only present if errors or warnings are current for the RFP.

Data Item: *Name:* Text Subject Qualifier, *Element:* FTX 4451

Data Rule: Is set to AAO (Error Description).

Data Item: *Name:* Notice, *Element:* FTX C108/4440

Data Rule: Is set to an error or warning message as described by Section 6.

5.7.3.32 Reason 18 (Reissue): GR0 FTX (Role – Average Age of Animals)

Segment Rule: Conditional. Only present if stored on the EXDOC Database.

Data Item: *Name:* Text Subject Qualifier, *Element:* FTX 4451

Data Rule: Is set to ACF (Additional attribute information).

Data Item: *Name:* Average age of animals, *Element:* FTX C108/4440

Data Rule: Is set to the value stored for this data element in EXDOC.

5.7.3.33 Reason 18 (Reissue): GR0 FTX (Role – AMLC Quota Year)

Segment Rule: Conditional. Required if Commodity Type is set to 'M' (Meat) or 'D' (Dairy).

Segment Rule: No Repeats allowed.

Data Item: *Name:* Text Subject Qualifier, *Element:* FTX 4451
Data Rule: Must equal ABW (Free Format Text).

Data Item: *Name:* AMLC Quota Year, *Element:* FTX C108/4440
Data Rule: Must be blank if AMLC Quota Indicator is N (No) or it must be supplied if AMLC Quota Indicator is Y (Yes).
Maximum of 1 occurrence of this data item allowed.
The value must be one of the following:
current year,
current year + 1,
current year -1 to current year,
current year to current year +1,
current year +1 to current year +2.
The format must be 'CCYY' or 'CCYY-YY'.

5.7.3.34 Reason 18 (Reissue): GRO FTX (Role – Quota Type)

Segment Rule: Conditional. Is only present if stored on the EXDOC database.

Data Item: *Name:* Text Subject Qualifier, *Element:* FTX 4451
Data Rule: Is set to QUT (Quotation instruction/information).

Data Item: *Name:* Quota Type Text, *Element:* FTX C108/4440
Data Rule: Is set to the value stored for this data element in EXDOC.

5.7.3.35 Reason 18 (Reissue): GRO MEA (Role – Transshipment Storage Temperature)

Segment Rule: Conditional. Is only present if stored on the EXDOC database.

Data Item: *Name:* Measure Application Qualifier, *Element:* MEA 6311
Data Rule: Is set to TE (Temperature).

Data Item: *Name:* Measure Dimension Coded, *Element:* MEA C502/6313
Data Rule: Is set to ADE (Shipping Tolerance).

Data Item: *Name:* Measure Unit Qualifier, *Element:* MEA C174/6411
Data Rule: Is set to CEL (Degree Celsius) or FAH (Degree Fahrenheit).

Data Item: *Name:* Transshipment Storage Temperature, *Element:* MEA C174/6314
Data Rule: Is set to the value stored for this data element in EXDOC.

5.7.3.36 Reason 18 (Reissue): GRO MOA (Role – FOB Currency Unit)

Segment Rule: Conditional. Is only present if Customs Agent Indicator equals Y.

Data Item: *Name:* Monetary Amount Qualifier, *Element:* MOA C516/5025
Data Rule: Is set to 63 (Free On Board Value).

Data Item: *Name:* FOB Currency Unit, *Element:* MOA C516/6345
Data Rule: Is set to the value stored for this data element in EXDOC.

5.7.3.37 Reason 18 (Reissue): GRO GIS (Role – Certificate Print Indicator)

Segment Rule: Mandatory.

Data Item: *Name:* Certificate Print Indicator, *Element:* GIS C529/7365

Data Rule: Is set to the value stored for this data element in EXDOC.

Data Item: *Name: Code List Responsible Agency, Element: GIS C529/3055*
Data Rule: Is set to AQ

Data Item: *Name: Code List Qualifier, Element: GIS C529/7187*
Data Rule: Is set to PHC.

5.7.3.38 Reason 18 (Reissue): GR0 GIS (Role – Separate Certificate Container Indicator)

Segment Rule: Mandatory.

Data Item: *Name: Separate Certificate Container Indicator, Element: GIS C529/7365*
Data Rule: Is set to the value stored for this data element in EXDOC.

Data Item: *Name: Code List Responsible Agency, Element: GIS C529/3055*
Data Rule: Is set to AQ

Data Item: *Name: Code List Qualifier, Element: GIS C529/7187*
Data Rule: Is set to SC.

5.7.3.39 Reason 18 (Reissue): GR0 GIS (Role – Separate Certificate Marks Indicator)

Segment Rule: Mandatory

Data Item: *Name: Separate Certificate Marks Indicator, Element: GIS C529/7365*
Data Rule: Is set to the value stored for this data element in EXDOC..

Data Item: *Name: Code List Responsible Agency, Element: GIS C529/3055*
Data Rule: Is set to AQ

Data Item: *Name: Code List Qualifier, Element: GIS C529/7187*
Data Rule: Is set to SM.

5.7.3.40 Reason 18 (Reissue): GR0 GIS (Role – Separate Certificate Packer Indicator)

Segment Rule: Mandatory.

Data Item: *Name: Separate Certificate Packer Indicator, Element: GIS C529/7365*
Data Rule: Is set to the value stored for this data element in EXDOC.

Data Item: *Name: Code List Responsible Agency, Element: GIS C529/3055*
Data Rule: Is set to AQ

Data Item: *Name: Code List Qualifier, Element: GIS C529/7187*
Data Rule: Is set to SP.

5.7.3.41 Reason 18 (Reissue): GR0 GIS (Role – Ship Stores Indicator)

Segment Rule: Mandatory.

Data Item: *Name: Ship Stores Indicator, Element: GIS C529/7365*
Data Rule: Is set to Y (Yes) or N (No).

Data Item: *Name: Code List Responsible Agency, Element: GIS C529/3055*
Data Rule: Is set to AQ.

Data Item: *Name: Code List Qualifier, Element: GIS C529/7187*
Data Rule: Is set to SST.

5.7.3.42 Reason 18 (Reissue): GR0 GIS (Role – RFP Forward Status)

Segment Rule: Conditional. Is only present if Forwardee EDI User Identifier is present.

Data Item: *Name: RFP Forward Status, Element: GIS C529/7365*
Data Rule: Is set to an RFP Compliance Code.

Data Item: *Name: Code List Responsible Agency, Element: GIS C529/3055*
Data Rule: Is set to AQ.

Data Item: *Name: Code List Qualifier, Element: GIS C529/7187*
Data Rule: Is set to FW.

5.7.3.43 Reason 18 (Reissue): GR0 GIS (Role – AMLC Quota Indicator)

Segment Rule: Conditional. Is only present if stored on the EXDOC database.

Data Item: *Name: AMLC Quota Indicator, Element: GIS C529/7365*
Data Rule: Is set to Y (Yes) if AMLC Quota Year is supplied or N (No) if AMLC Quota Year is blank.

Data Item: *Name: Code List Responsible Agency, Element: GIS C529/3055*
Data Rule: Is set to AQ

Data Item: *Name: Code List Qualifier, Element: GIS C529/7187*
Data Rule: Is set to QI.

5.7.3.44 Reason 18 (Reissue): GR0 GIS (Role – Customs Agent Indicator)

Segment Rule: Mandatory.

Data Item: *Name: Customs Agent Indicator, Element: GIS C529/7365*
Data Rule: Is set to Y (Yes) or N (No).

Data Item: *Name: Code List Responsible Agency, Element: GIS C529/3055*
Data Rule: Is set to AQ.

Data Item: *Name: Code List Qualifier, Element: GIS C529/7187*
Data Rule: Is set to ACS.

5.7.3.45 Reason 18 (Reissue): GR0 GIS (Role – Declaration Estimate Indicator)

Segment Rule: Conditional. Is only present if Customs Agent Indicator equals Y.

Data Item: *Name: Declaration Estimate Indicator, Element: GIS C529/7365*
Data Rule: Is set to a Declaration Estimate Indicator Code (see Appendix E for valid code values).

Data Item: *Name: Code List Responsible Agency, Element: GIS C529/3055*
Data Rule: Is set to AQ.

Data Item: *Name: Code List Qualifier, Element: GIS C529/7187*

Data Rule: Is set to DCT.

5.7.3.46 Reason 18 (Reissue): GR0 GIS (Role – Declaration of Compliance Indicator)

Segment Rule: Conditional. Is only present if stored on the EXDOC database.

Data Item: *Name:* Declaration of Compliance Indicator, *Element:* GIS C529/7365

Data Rule: Is set to Y (Yes) or N (No).

Data Item: *Name:* Code List Responsible Agency, *Element:* GIS C529/3055

Data Rule: Is set to AQ.

Data Item: *Name:* Code List Qualifier, *Element:* GIS C529/7187

Data Rule: Is set to DOC.

5.7.3.47 Reason 18 (Reissue): GR0 GIS (Role – True and Complete Indicator)

Segment Rule: Conditional. Is only present if stored on the EXDOC database.

Data Item: *Name:* True and Complete Indicator, *Element:* GIS C529/7365

Data Rule: Is set to Y (Yes) or N (No).

Data Item: *Name:* Code List Responsible Agency, *Element:* GIS C529/3055

Data Rule: Is set to AQ.

Data Item: *Name:* Code List Qualifier, *Element:* GIS C529/7187

Data Rule: Is set to TAC.

5.7.3.48 Reason 18 (Reissue): GR0 GIS (Role – Imported Product Flag)

Segment Rule: Conditional. Is only present if stored on the EXDOC database.

Data Item: *Name:* Imported Product Flag, *Element:* GIS C529/7365

Data Rule: Is set to Y (Yes) or N (No).

Data Item: *Name:* Code List Responsible Agency, *Element:* GIS C529/3055

Data Rule: Is set to AQ.

Data Item: *Name:* Code List Qualifier, *Element:* GIS C529/7187

Data Rule: Is set to IPF.

5.7.3.49 Reason 18 (Reissue): GR0 GIS (Role – Product Use Indicator)

Segment Rule: Conditional. Is only present if stored on the EXDOC database.

Data Item: *Name:* Product Use Indicator, *Element:* GIS C529/7365

Data Rule: Is set to a Product Use Indicator Code (see Appendix E for valid code values).

Data Item: *Name:* Code List Responsible Agency, *Element:* GIS C529/3055

Data Rule: Is set to AQ.

Data Item: *Name:* Code List Qualifier, *Element:* GIS C529/7187

Data Rule: Is set to PUI.

5.7.3.50 Reason 18 (Reissue): GR0 GIS (Role – Label Approval Indicator)

Segment Rule: Conditional. Only present if stored on the EXDOC Database.

Data Item: *Name:* Label Approval Indicator, *Element:* GIS C529/7365

Data Rule: Is set to Y (Yes) or N (No)

Data Item: *Name:* Code List Responsibility Agency, *Element:* GIS C529/3055

Data Rule: Is set to AQ

Data Item: *Name:* Code List Qualifier, *Element:* GIS C529/7187

Data Rule: Is set to LAI.

5.7.3.51 Reason 18 (Reissue): GR1 DOC (Role – Import Permit Number)

Segment Rule: Conditional. Is only present if stored on the EXDOC database.

Data Item: *Name:* Document Name, *Element:* DOC C002/1001

Data Rule: Is set to 911 (Import Licence).

Data Item: *Name:* Import Permit Number, *Element:* DOC C503/1004

Data Rule: Is set to the value stored for this data element in EXDOC.

5.7.3.52 Reason 18 (Reissue): GR1 DTM (Role – Import Permit Date)

Segment Rule: Conditional. Is only present if stored on the EXDOC database.

Data Item: *Name:* Date/time/period Qualifier, *Element:* DTM C507/2005

Data Rule: Is set to 137 (Document Date).

Data Item: *Name:* Import Permit Date, *Element:* DTM C507/2380

Data Rule: Is set to the value stored for this data element in EXDOC.

Data Item: *Name:* Date/time/period Format Qualifier, *Element:* DTM C507/2379

Data Rule: Is set to 102 (ccyymmdd).

5.7.3.53 Reason 18 (Reissue): GR1 DOC (Role – Recommendation Letter Number)

Segment Rule: Conditional. Is only present if stored on the EXDOC database.

Data Item: *Name:* Document Name, *Element:* DOC C002/1001

Data Rule: Is set to 916 (Related Document).

Data Item: *Name:* Recommendation Letter Number, *Element:* DOC C503/1004

Data Rule: Is set to the value stored for this data element in EXDOC.

5.7.3.54 Reason 18 (Reissue): GR1 DTM (Role – Recommendation Letter Date)

Segment Rule: Conditional. Is only present if stored on the EXDOC database.

Data Item: *Name:* Date/time/period Qualifier, *Element:* DTM C507/2005

Data Rule: Is set to 242 (Document Preparation Date).

Data Item: *Name:* Recommendation Letter Date, *Element:* DTM C507/2380

Data Rule: Is set to the value stored for this data element in EXDOC.

Data Item: *Name:* Date/time/period Format Qualifier, *Element:* DTM C507/2379

Data Rule: Is set to 102 (ccyymmdd).

5.7.3.55 Reason 18 (Reissue): GR2 PNA (Role – Owner Exporter Number)

Segment Rule: Mandatory.

Data Item: *Name:* Party Qualifier, *Element:* PNA 3035

Data Rule: Is set to EX (Exporter).

Data Item: *Name:* Owner Exporter Number, *Element:* PNA C206/7402

Data Rule: Is set to the value stored for this data element in EXDOC.

5.7.3.56 Reason 18 (Reissue): GR3 CTA (Role – Forwarder EDI User Identifier)

Segment Rule: Conditional. Is only present if stored on the EXDOC database.

Data Item: *Name:* Contact Function, *Element:* CTA 3139

Data Rule: Is set to AG (Agent).

Data Item: *Name:* Forwarder EDI User Identifier, *Element:* CTA C056/3413

Data Rule: Is set to the value stored for this data element in EXDOC.

5.7.3.57 Reason 18 (Reissue): GR2 PNA (Role – Consignee Name)

Segment Rule: Conditional. Is only present if stored on the EXDOC database.

Data Item: *Name:* Party Qualifier, *Element:* PNA 3035

Data Rule: Is set to CN (Consignee).

Data Item: *Name:* Consignee Reference Number, *Element:* PNA C206/7402

Data Rule: Is set to the value stored for this data element in EXDOC.

Data Item: *Name:* Name Component Qualifier, *Element:* PNA C816/3405

Data Rule: Is set to 10 (Full Name).

Data Item: *Name:* Consignee Name, *Element:* PNA C816/3398

Data Rule: Is set to the value stored for this data element in EXDOC.

5.7.3.58 Reason 18 (Reissue): GR2 ADR (Role – Consignee Address)

Segment Rule: Conditional. Is only present if stored on the EXDOC database.

Data Item: *Name:* Address Format, *Element:* ADR C090/3477

Data Rule: Is set to 5 (Unstructured Street Address).

Data Item: *Name:* Consignee Street, *Element:* ADR C090/3286

Data Rule: Is set to the value stored for this data element in EXDOC.

Data Item: *Name:* Consignee City, *Element:* ADR 3164

Data Rule: Is set to the value stored for this data element in EXDOC.

Data Item: *Name:* Consignee Postcode, *Element:* ADR 3251

Data Rule: Is set to the value stored for this data element in EXDOC.

Data Item: *Name:* Consignee Country, *Element:* ADR 3207

Data Rule: Is set to the value stored for this data element in EXDOC.

Data Item: *Name: Consignee State, Element: ADR C819/3228*
Data Rule: Is set to the value stored for this data element in EXDOC.

5.7.3.59 Reason 18 (Reissue): GR2 FTX (Role – Consignee TRACES Approval ID)

Segment Rule: Conditional. Is only present if stored on the EXDOC database.

Data Item: *Name: Text Subject Qualifier, Element: FTX 4451*
Data Rule: Is set to ZZZ (Mutually defined).

Data Item: *Name: Text function, coded, Element: FTX 4453*
Data Rule: Is set to 4 (No action required)

Data Item: *Name: Free text identification, Element: FTX C107/4441*
Data Rule: Is set to TRACESCONSIGNEEID

Data Item: *Name: Code list qualifier, Element: FTX C107/1131*
Data Rule: Is set to 160 (Party identifier)

Data Item: *Name: Code list responsible agency, coded, Element: FTX C107/3055*
Data Rule: Is set to AQ.

Data Item: *Name: Consignee TRACES Approval ID, Element: FTX C108/4440*
Data Rule: Is set to the value stored for this data element in EXDOC. .

Data Item: *Name: Language, coded, Element: FTX 3453*
Data Rule: Is blank.

5.7.3.60 Reason 18 (Reissue): GR3 CTA (Role – Consignee Contact Details)

Segment Rule: Conditional. Is only present if the subordinate Consignee Phone Number (COM) segment is also present.

Data Item: *Name: Contact Function, Element: CTA 3139*
Data Rule: Is set to CN (Consignee).

5.7.3.61 Reason 18 (Reissue): GR3 COM (Role – Consignee Phone Number)

Segment Rule: Conditional. Is only present if stored on the EXDOC database.

Data Item: *Name: Consignee Phone Number, Element: COM C076/3148*
Data Rule: Free format text. Must be non-blank.

Data Item: *Name: Communication Number, Element: COM C076/3155*
Data Rule: Is set to TE (Telephone).

5.7.3.62 Reason 18 (Reissue): GR2 PNA (Role – Consignee Representative Name)

Segment Rule: Conditional. Is only present if stored on the EXDOC database.

Data Item: *Name: Party Qualifier, Element: PNA 3035*
Data Rule: Is set to CX (Consignee's Agent).

Data Item: *Name: Name Component Qualifier, Element: PNA C816/3405*
Data Rule: Is set to 10 (Full Name).

Data Item: *Name:* Consignee Representative Name, *Element:* PNA C816/3398
Data Rule: Is set to the value stored for this data element in EXDOC.

5.7.3.63 Reason 18 (Reissue): GR3 CTA (Role – Consignee Representative Name)

Segment Rule: Conditional. Is only present if stored on the EXDOC database.

Data Item: *Name:* Party Qualifier, *Element:* CTA 3139
Data Rule: Is set to AG (Agent).

Data Item: *Name:* Consignee Representative Name, *Element:* CTA C056/3412
Data Rule: Is set to the value stored for this data element in EXDOC.

5.7.3.64 Reason 18 (Reissue): GR2 PNA (Role – Person Responsible for Consignment)

Segment Rule: Conditional. Is only present if stored on the EXDOC database.

Data Item: *Name:* Party Qualifier, *Element:* PNA 3035
Data Rule: Is set to AL.

Data Item: *Name:* Person Responsible Name, *Element:* PNA C816/3398
Data Rule: Is set to the value stored for this data element in EXDOC.

5.7.3.65 Reason 18 (Reissue): GR2 ADR (Role – Person Responsible Address)

Segment Rule: Conditional. Is only present if stored on the EXDOC database.

Data Item: *Name:* Address Format, *Element:* ADR C090/3477
Data Rule: Is set to 5 (Unstructured Street Address).

Data Item: *Name:* Person Responsible Street, *Element:* ADR C090/3286
Data Rule: Is set to the value stored for this data element in EXDOC.

Data Item: *Name:* Person Responsible City, *Element:* ADR 3164
Data Rule: Is set to the value stored for this data element in EXDOC.

Data Item: *Name:* Person Responsible Postcode, *Element:* ADR 3251
Data Rule: Is set to the value stored for this data element in EXDOC.

Data Item: *Name:* Person Responsible Country, *Element:* ADR 3207
Data Rule: Is set to the value stored for this data element in EXDOC.

5.7.3.66 Reason 18 (Reissue): GR3 CTA (Role – Person Responsible Contact Details)

Segment Rule: Conditional. Is only present if the subordinate Person Responsible Phone Number (COM) segment is also present.

Data Item: *Name:* Contact Function, *Element:* CTA 3139
Data Rule: Is set to AL.

5.7.3.67 Reason 18 (Reissue): GR3 COM (Role – Person Responsible Phone Number)

Segment Rule: Conditional. Is only present if stored on the EXDOC database.

Data Item: *Name:* Person Responsible Phone Number, *Element:* COM C076/3148
Data Rule: Free format text. Must be non-blank.

Data Item: *Name: Communication Number, Element: COM C076/3155*
Data Rule: Is set to TE (Telephone).

5.7.3.68 Reason 18 (Reissue): GR2 PNA (Role – Place of Destination)

Segment Rule: Conditional. Is only present if stored on the EXDOC database.

Data Item: *Name: Party Qualifier, Element: PNA 3035*
Data Rule: Is set to GG.

Data Item: *Name: Consignee Reference Number, Element: PNA C206/7402*
Data Rule: Is set to the value stored for this data element in EXDOC.

Data Item: *Name: Name Component Qualifier, Element: PNA C816/3405*
Data Rule: Is set to 10 (Full Name).

Data Item: *Name: Place of Destination Name, Element: PNA C816/3398*
Data Rule: Is set to the value stored for this data element in EXDOC.

5.7.3.69 Reason 18 (Reissue): GR2 ADR (Role – Place of Destination Address)

Segment Rule: Conditional. Is only present if stored on the EXDOC database.

Data Item: *Name: Address Format, Element: ADR C090/3477*
Data Rule: Is set to 5 (Unstructured Street Address).

Data Item: *Name: Place of Destination Street, Element: ADR C090/3286*
Data Rule: Is set to the value stored for this data element in EXDOC.

Data Item: *Name: Place of Destination City, Element: ADR 3164*
Data Rule: Is set to the value stored for this data element in EXDOC.

Data Item: *Name: Place of Destination Postcode, Element: ADR 3251*
Data Rule: Is set to the value stored for this data element in EXDOC.

Data Item: *Name: Place of Destination Country, Element: ADR 3207*
Data Rule: Is set to the value stored for this data element in EXDOC.

5.7.3.70 Reason 18 (Reissue): GR3 CTA (Role – Place of Destination Contact Details)

Segment Rule: Conditional. Is only present if the subordinate Place of Destination Phone Number (COM) segment is also present.

Data Item: *Name: Contact Function, Element: CTA 3139*
Data Rule: Is set to GG.

5.7.3.71 Reason 18 (Reissue): GR3 COM (Role – Place of Destination Phone Number)

Segment Rule: Conditional. Is only present if stored on the EXDOC database.

Data Item: *Name: Place of Destination Phone Number, Element: COM C076/3148*
Data Rule: Free format text. Must be non-blank.

Data Item: *Name: Communication Number, Element: COM C076/3155*
Data Rule: Is set to TE (Telephone).

5.7.3.72 Reason 18 (Reissue): GR2 PNA (Role – Transferee Exporter Number)

Segment Rule: Conditional. Is only present if stored on the EXDOC database.

Data Item: *Name:* Party Qualifier, *Element:* PNA 3035

Data Rule: Is set to TT (Transfer To).

Data Item: *Name:* Transferee Exporter Number, *Element:* PNA C206/7402

Data Rule: Is set to the value stored for this data element in EXDOC.

5.7.3.73 Reason 18 (Reissue): GR3 CTA (Role – Transferee EDI User Identifier)

Segment Rule: Conditional. Is only present if stored on the EXDOC database.

Data Item: *Name:* Contact Function, *Element:* CTA 3139

Data Rule: Is set to AG (Agent).

Data Item: *Name:* Transferee EDI User Identifier, *Element:* CTA C056/3413

Data Rule: Is set to the value stored for this data element in EXDOC.

5.7.3.74 Reason 18 (Reissue): GR4 TDT (Role – Transport Details)

Segment Rule: Conditional. Is only present if stored on the EXDOC database.

Data Item: *Name:* Transport Stage Qualifier, *Element:* TDT 8051

Data Rule: Is set to 12 (At Departure).

Data Item: *Name:* Voyage/Flight Number, *Element:* TDT 8028

Data Rule: Is set to the value stored for this data element in EXDOC.

Data Item: *Name:* Transport Mode, *Element:* TDT C220/8067

Data Rule: Is set to the value stored for this data element in EXDOC.

Data Item: *Name:* Shipping Company or Carrier Name, *Element:* TDT C040/3128

Data Rule: Is set to the value stored for this data element in EXDOC.

Data Item: *Name:* Vessel Name, *Element:* TDT C222/8212

Data Rule: Is set to the value stored for this data element in EXDOC.

5.7.3.75 Reason 18 (Reissue): GR4 DTM (Role – Departure Date)

Segment Rule: Conditional. Is only present if stored on the EXDOC database.

Data Item: *Name:* Date/time/period Qualifier, *Element:* DTM C507/2005

Data Rule: Is set to 136 (Departure Date).

Data Item: *Name:* Departure Date, *Element:* DTM C507/2380

Data Rule: Is set to the value stored for this data element in EXDOC.

Data Item: *Name:* Date/time/period Format Qualifier, *Element:* DTM C507/2379

Data Rule: Is set to 102 (ccyymmdd).

5.7.3.76 Reason 18 (Reissue): GR6 EQD (Role – Vessel Hold)

Segment Rule: Conditional. Is only present if stored on the EXDOC database.

Data Item: *Name:* Equipment Identifier, *Element:* EQD 8053

Data Rule: Is set to VH (Vessel Hold).

5.7.3.77 Reason 18 (Reissue): GR7 SEL (Role – Vessel Hold Seals)

Segment Rule: Conditional. Is only present if stored on the EXDOC database.

Data Item: *Name:* Start Seal Number, *Element:* SEL 9308

Data Rule: Is set to the value stored for this data element in EXDOC.

Data Item: *Name:* End Seal Number, *Element:* SEL 9308

Data Rule: Optional.

Data Rule: Is set to the value stored for this data element in EXDOC.

5.7.3.78 Reason 18 (Reissue): GR8 PRC (Role – Inspection Process)

Segment Rule: Conditional. Is only present if stored on the EXDOC database.

Data Item: *Name:* Process Type Identification, *Element:* PRC C242/7187

Data Rule: Is set to IN for Inspection Process (see Appendix E for valid codes).

Data Item: *Name:* Code List Qualifier, *Element:* PRC C242/1131

Data Rule: Is set to PP (Product Process).

Data Item: *Name:* Code List Responsible Agency, *Element:* PRC C242/3055

Data Rule: Is set to AQ.

5.7.3.79 Reason 18 (Reissue): GR8 DTM (Role – Inspection Requested Date)

Segment Rule: Conditional. Is only present if stored on the EXDOC database.

Data Item: *Name:* Date/time/period Qualifier, *Element:* DTM C507/2005

Data Rule: Is set to 318 (Request Date).

Data Item: *Name:* Inspection Requested Date, *Element:* DTM C507/2380

Data Rule: Is set to the value stored for this data element in EXDOC.

Data Item: *Name:* Date/time/period Format Qualifier, *Element:* DTM C507/2379

Data Rule: Is set to 204 (ccyymmddhmmss).

5.7.3.80 Reason 18 (Reissue): GR8 DTM (Role – RFP Authorised Start Date)

Segment Rule: Conditional. Is only present if stored on the EXDOC database.

Data Item: *Name:* Date/time/period Qualifier, *Element:* DTM C507/2005

Data Rule: Is set to 194 (Start Date).

Data Item: *Name:* RFP Authorised Start Date, *Element:* DTM C507/2380

Data Rule: Is set to the value stored for this data element in EXDOC.

Data Item: *Name:* Date/time/period Format Qualifier, *Element:* DTM C507/2379

Data Rule: Is set to 102 (ccyymmdd).

5.7.3.81 Reason 18 (Reissue): GR8 DTM (Role – RFP Authorised End Date)

Segment Rule: Conditional. Is only present if stored on the EXDOC database.

Data Item: *Name:* Date/time/period Qualifier, *Element:* DTM C507/2005

Data Rule: Is set to 119 (Test Performed Date).

Data Item: *Name:* RFP Authorised End Date, *Element:* DTM C507/2380

Data Rule: Is set to the value stored for this data element in EXDOC.

Data Item: *Name:* Date/time/period Format Qualifier, *Element:* DTM C507/2379

Data Rule: Is set to 102 (ccyymmdd).

5.7.3.82 Reason 18 (Reissue): GR9 PNA (Role – RFP Authorisation Establishment Number)

Segment Rule: Conditional. Is only present if stored on the EXDOC database.

Data Item: *Name:* Party Qualifier, *Element:* PNA 3035

Data Rule: Is set to FO (Party Performing Inspection).

Data Item: *Name:* Establishment Number, *Element:* PNA C206/7402

Data Rule: Is set to the value stored for this data element in EXDOC.

5.7.3.83 Reason 18 (Reissue): GR9 PNA (Role – RFP Authorising Officer Identifier)

Segment Rule: Conditional. Is only present if stored on the EXDOC database.

Data Item: *Name:* Party Qualifier, *Element:* PNA 3035

Data Rule: Is set to AV (Authorising Official).

Data Item: *Name:* RFP Authorising Officer Identifier, *Element:* PNA C206/7402

Data Rule: Is set to 'XXXXXXXX' if an Authorised AQA User Identifier is stored for this data element on the EXDOC database, otherwise is set to the value stored for this data element on the EXDOC database.

Data Rule: The data stored in this field should never be displayed to the user or on any printed report.

5.7.3.84 Reason 18 (Reissue): GR8 PRC (Role – Ships Hold Inspection Process)

Segment Rule: Conditional. Is only present if stored on the EXDOC database.

Data Item: *Name:* Process Type Identification, *Element:* PRC C242/7187

Data Rule: Must equal SH (Ships Hold Inspection).

Data Item: *Name:* Code List Qualifier, *Element:* PRC C242/1131

Data Rule: Is set to PP (Product Process).

Data Item: *Name:* Code List Responsible Agency, *Element:* PRC C242/3055

Data Rule: Is set to AQ.

5.7.3.85 Reason 18 (Reissue): GR8 IMD (Role – Compartments)

Segment Rule: Conditional. Is only present if stored on the EXDOC database.

Data Item: *Name:* Compartment Identification, *Element:* IMD C273/7009

Data Rule: Must equal CM (Compartment).

Data Item: *Name:* Compartments, *Element:* IMD C273/7008

Data Rule: Is set to the value stored for this data element in EXDOC.

5.7.3.86 Reason 18 (Reissue): GR8 IMD (Role – Inspect Port)

Segment Rule: Conditional. Is only present if stored on the EXDOC database.

Data Item: *Name:* Inspection Port Identification, *Element:* IMD C273/7009
Data Rule: Must equal IP (Inspection Port).

Data Item: *Name:* Inspection Port, *Element:* IMD C273/7008
Data Rule: Is set to the value stored for this data element in EXDOC.

5.7.3.87 Reason 18 (Reissue): GR8 DTM (Role – Ships Hold Inspection Date)

Segment Rule: Conditional. Is only present if stored on the EXDOC database.

Data Item: *Name:* Date/time/period Qualifier, *Element:* DTM C507/2005
Data Rule: Must equal 351 (Inspection Date).

Data Item: *Name:* Ships Hold Inspection Date, *Element:* DTM C507/2380
Data Rule: Is set to the value stored for this data element in EXDOC.

Data Item: *Name:* Date/time/period Format Qualifier, *Element:* DTM C507/2379
Data Rule: Must equal 102 (ccyymmdd).

5.7.3.88 Reason 18 (Reissue): GR8 PRC (Role – Storage Process)

Segment Rule: Conditional. Is only present if stored on the EXDOC database.

Data Item: *Name:* Process Type Identification, *Element:* PRC C242/7187
Data Rule: Is set to ST for Storage Process (see Appendix E for valid codes).

Data Item: *Name:* Code List Qualifier, *Element:* PRC C242/1131
Data Rule: Is set to PP (Product Process).

Data Item: *Name:* Code List Responsible Agency, *Element:* PRC C242/3055
Data Rule: Is set to AQ.

5.7.3.89 Reason 18 (Reissue): GR9 PNA (Role – Storage Establishment Number)

Segment Rule: Conditional. Is only present if stored on the EXDOC database.

Data Item: *Name:* Party Qualifier, *Element:* PNA 3035
Data Rule: Is set to MP (Manufacturing Plant).

Data Item: *Name:* Establishment Number, *Element:* PNA C206/7402
Data Rule: Is set to the value stored for this data element in EXDOC.

5.7.3.90 Reason 18 (Reissue): GR9 PNA (Role – Approved Certifier)

Segment Rule: Conditional. Only present if stored on the EXDOC Database.

Data Item: *Name:* Party Qualifier, *Element:* PNA 3035
Data Rule: Is set to PQ(Certifying Party).

Data Item: *Name:* Approved Certifier, *Element:* PNA C206/7402
Data Rule: Is set to the value stored for this data element in EXDOC.

5.7.3.91 Reason 18 (Reissue): GR11 LIN (Role – Line Identifier)

Segment Rule: Conditional. Is only present if stored on the EXDOC database.

Data Item: *Name:* Line Number, *Element:* LIN 1082

Data Rule: Is set to the value stored for this data element in EXDOC.

5.7.3.92 Reason 18 (Reissue): GR11 MEA (Role – Line Net Quantity)

Segment Rule: Conditional. Is only present if stored on the EXDOC database.

Data Item: *Name:* Measure Application Qualifier, *Element:* MEA 6311

Data Rule: Is set to AAA (Line Item Measurement).

Data Item: *Name:* Measure Dimension Coded, *Element:* MEA C502/6313

Data Rule: Is set to SQ (Shipped Quantity).

Data Item: *Name:* Net Unit, *Element:* MEA C174/6411

Data Rule: Is set to the value stored for this data element in EXDOC.

Data Item: *Name:* Net Amount, *Element:* MEA C174/6314

Data Rule: Is set to the value stored for this data element in EXDOC.

5.7.3.93 Reason 18 (Reissue): GR11 MEA (Role – Line Imperial Net Weight)

Segment Rule: Conditional. Is only present if stored on the EXDOC database.

Data Item: *Name:* Measure Application Qualifier, *Element:* MEA 6311

Data Rule: Is set to AAI (Item Weight).

Data Item: *Name:* Measure Dimension Coded, *Element:* MEA C502/6313

Data Rule: Is set to AAL (Net Weight).

Data Item: *Name:* Measure Unit Qualifier, *Element:* MEA C174/6411

Data Rule: Is set to the value stored for this data element in EXDOC.

Data Item: *Name:* Line Imperial Net Weight Amount, *Element:* MEA C174/6314

Data Rule: Is set to the value stored for this data element in EXDOC.

5.7.3.94 Reason 18 (Reissue): GR11 MEA (Role – Line Metric Gross Weight)

Segment Rule: Conditional. Is only present if stored on the EXDOC database.

Data Item: *Name:* Measure Application Qualifier, *Element:* MEA 6311

Data Rule: Is set to AAI (Item Weight).

Data Item: *Name:* Measure Dimension Coded, *Element:* MEA C502/6313

Data Rule: Is set to AAE (Gross Weight).

Data Item: *Name:* Measure Unit Qualifier, *Element:* MEA C174/6411

Data Rule: Is set to the value stored for this data element in EXDOC.

Data Item: *Name:* Line Metric Gross Weight Amount, *Element:* MEA C174/6314

Data Rule: Is set to the value stored for this data element in EXDOC.

5.7.3.95 Reason 18 (Reissue): GR11 MEA (Role – Drained Weight)

Segment Rule: Conditional. Is only present if stored on the EXDOC database.

Data Item: *Name:* Measure Application Qualifier, *Element:* MEA 6311
Data Rule: Is set to AAI (Item Weight).

Data Item: *Name:* Measure Dimension Coded, *Element:* MEA C502/6313
Data Rule: Is set to AAF (Net Weight).

Data Item: *Name:* Measure Unit Qualifier, *Element:* MEA C174/6411
Data Rule: Is set to the value stored for this data element in EXDOC.

Data Item: *Name:* Drained Weight Amount, *Element:* MEA C174/6314
Data Rule: Is set to the value stored for this data element in EXDOC.

5.7.3.96 Reason 18 (Reissue): GR11 MEA (Role – Line Customs Weight)

Segment Rule: Conditional. Only present if stored on the EXDOC Database.

Data Item: *Name:* Measure Application Qualifier, *Element:* MEA 6311
Data Rule: Is set to AAF (Customs Line Item Measurement).

Data Item: *Name:* Measure Dimension Coded, *Element:* MEA C502/6313
Data Rule: Is set to SQ (Shipped Quantity).

Data Item: *Name:* Weight Unit, *Element:* MEA C174/6411
Data Rule: Is set to the value stored for this data element in Exdoc.

Data Item: *Name:* Weight Amount, *Element:* MEA C174/6314
Data Rule: Is set to the value stored for this data element in Exdoc.

5.7.3.97 Reason 18 (Reissue): GR11 MEA (Role – Percentage of milk protein)

Segment Rule: Conditional. Is only present if stored on the EXDOC database.

Data Item: *Name:* Measure Application Qualifier, *Element:* MEA 6311
Data Rule: Is set to equal MP (Milk Protein).

Data Item: *Name:* Measure Unit Qualifier, *Element:* MEA C174/6411
Data Rule: Is set to P1 (Percentage).

Data Item: *Name:* Percentage of milk fat, *Element:* MEA C174/6314
Data Rule: Is set to the value stored for this data element in EXDOC.

5.7.3.98 Reason 18 (Reissue): GR11 MEA (Role – Percentage of milk fat)

Segment Rule: Conditional. Is only present if stored on the EXDOC database.

Data Item: *Name:* Measure Application Qualifier, *Element:* MEA 6311
Data Rule: Is set to MF (Milk Fat).

Data Item: *Name:* Measure Unit Qualifier, *Element:* MEA C174/6411
Data Rule: Is set to P1 (Percentage).

Data Item: *Name:* Percentage of milk fat, *Element:* MEA C174/6314
Data Rule: Is set to the value stored for this data element in EXDOC.

5.7.3.99 Reason 18 (Reissue): GR11 MEA (Role – Total weight of milk protein in mixtures)

Segment Rule: Conditional. Is only present if stored on the EXDOC database.

Data Item: *Name:* Measure Application Qualifier, *Element:* MEA 6311
Data Rule: Is set to MP (Milk Protein).

Data Item: *Name:* Measure Dimension, coded, *Element:* MEA C502/6313
Data Rule: Is set to AAL (Net Weight)

Data Item: *Name:* Measure Unit Qualifier, *Element:* MEA C174/6411
Data Rule: Is set to KGM (Kilograms).

Data Item: *Name:* Total weight of milk protein in Mixtures, *Element:* MEA C174/6314
Data Rule: Is set to the value stored for this data element in EXDOC.

5.7.3.100 Reason 18 (Reissue): GR11 MEA (Role – Total weight of milk fat in mixtures)

Segment Rule: Conditional. Is only present if stored on the EXDOC database.

Data Item: *Name:* Measure Application Qualifier, *Element:* MEA 6311
Data Rule: Is set to MF (Milk Fat).

Data Item: *Name:* Measure Dimension, coded, *Element:* MEA C502/6313
Data Rule: Is set to AAL (Net Weight)

Data Item: *Name:* Measure Unit Qualifier, *Element:* MEA C174/6411
Data Rule: Is set to KGM (Kilograms).

Data Item: *Name:* Percentage of milk fat, *Element:* MEA C174/6314
Data Rule: Is set to the value stored for this data element in EXDOC.

5.7.3.101 Reason 18 (Reissue): GR11 MEA (Role – BeefVeal Weight)

Segment Rule: Conditional. Is only present if stored on the EXDOC database.

Data Item: *Name:* Measure Application Qualifier, *Element:* MEA 6311
Data Rule: Is set to AAI (Item Weight).

Data Item: *Name:* Measure Dimension Coded, *Element:* MEA C502/6313
Data Rule: Is set to ACG (Chargeable Weight).

Data Item: *Name:* Measure Unit Qualifier, *Element:* MEA C174/6411
Data Rule: Is set to the value stored for this data element in EXDOC.

Data Item: *Name:* BeefVeal Weight Amount, *Element:* MEA C174/6314
Data Rule: Is set to the value stored for this data element in EXDOC.

5.7.3.102 Reason 18 (Reissue): GR11 MEA (Role – Chemical Lean Percentage)

Segment Rule: Conditional. Is only present if stored on the EXDOC database.

Data Item: *Name:* Measure Application Qualifier, *Element:* MEA 6311
Data Rule: Is set to CH (Chemistry).

Data Item: *Name:* Measure Unit Qualifier, *Element:* MEA C174/6411

Data Rule: Is set to P1 (Percentage).

Data Item: *Name:* Chemical Lean Percentage *Element:* MEA C174/6314
Data Rule: Is set to the value stored for this data element in EXDOC.

5.7.3.103 Reason 18 (Reissue): GR11 PIA (Role – Product Code)

Segment Rule: Conditional. Is only present if stored on the EXDOC database.

Data Item: *Name:* Product Identification Function Qualifier, *Element:* PIA 4347
Data Rule: Is set to 5 (Product Identification).

Data Item: *Name:* Product Code, *Element:* PIA C212/7140
Data Rule: Is set to the value stored for this data element in EXDOC.

Data Item: *Name:* Product Code Type, *Element:* PIA C212/7143
Data Rule: Is set to CC (Industry Commodity Code).

5.7.3.104 Reason 18 (Reissue): GR11 PIA (Role – Cut Type)

Segment Rule: Conditional. Is only present if stored on the EXDOC database.

Data Item: *Name:* Product Identification Function Qualifier, *Element:* PIA 4347
Data Rule: Is set to 5 (Product Identification).

Data Item: *Name:* Cut Code, *Element:* PIA C212/7140
Data Rule: Is set to value stored for this data item in EXDOC.

Data Item: *Name:* Cut Code Type, *Element:* PIA C212/7143
Data Rule: Is set to BP (Buyer's Part Number).

5.7.3.105 Reason 18 (Reissue): GR11 PIA (Role – EAN 13 Number)

Segment Rule: Conditional. Is only present if stored on the EXDOC database.

Data Item: *Name:* Product Identification Function Qualifier, *Element:* PIA 4347
Data Rule: Is set to 1 (Additional Identification).

Data Item: *Name:* EAN – 13 Number, *Element:* PIA C212/7140
Data Rule: Is set to value stored for this data item in EXDOC.

Data Item: *Name:* Product Code Type, *Element:* PIA C212/7143
Data Rule: Is set to CC (Industry Commodity Code).

5.7.3.106 Reason 18 (Reissue): GR11 PIA (Role – AHECC Code)

Segment Rule: Conditional. Is only present if stored on the EXDOC database.

Data Item: *Name:* Product Identification Function Qualifier, *Element:* PIA 4347
Data Rule: Is set to 5 (Product Identification).

Data Item: *Name:* AHECC Code, *Element:* PIA C212/7140
Data Rule: Is set to the value stored for this data element in EXDOC.

Data Item: *Name:* Product Code Type, *Element:* PIA C212/7143
Data Rule: Is set to HS (Harmonised System).

5.7.3.107 Reason 18 (Reissue): GR11 PIA (Role – Dominant Product)

Segment Rule: Conditional. Only present if stored on the EXDOC Database.

Data Item: *Name:* Product Identification Function Qualifier, *Element:* PIA 4347

Data Rule: Is set to 5 (Product Identification).

Data Item: *Name:* Dominant Product, *Element:* PIA C212/7140

Data Rule: Is set to the value stored for this data element in EXDOC.

Data Item: *Name:* Dominant Product Type, *Element:* PIA C212/7143

Data Rule: Is set to CG (Commodity Grouping).

5.7.3.108 Reason 18 (Reissue): GR11 PIA (Role – Additional Products)

Segment Rule: Conditional. Only present if stored on the EXDOC Database.

Data Item: *Name:* Product Identification Function Qualifier, *Element:* PIA 4347

Data Rule: Is set to 5 (Product Identification).

Data Item: *Name:* Additional Products, *Element:* PIA C212/7140

Data Rule: Is set to the value stored for this data element in EXDOC.

Data Item: *Name:* Additional Products Type, *Element:* PIA C212/7143

Data Rule: Is set to SG (Standard Group of Products).

5.7.3.109 Reason 18 (Reissue): GR11 IMD (Role – RFP Line Item Description)

Segment Rule: Conditional. Is only present if stored on the EXDOC database.

Data Item: *Name:* Item Description Identification, *Element:* IMD C273/7009

Data Rule: Is set to IN (Inspection).

Data Item: *Name:* RFP Line Item Description, *Element:* IMD C273/7008

Data Rule: Is set to the value stored for this data element in EXDOC.

5.7.3.110 Reason 18 (Reissue): GR11 IMD (Role – Exporter Defined Product Description)

Segment Rule: Conditional. Is only present if stored on the EXDOC database.

Note: If allowed and present, the exporter supplied Certificate description overrides the description normally generated by EXDOC from the product code, cut code, packaging codes and measurements, additional product description, quality qualification, location qualification and label approval number. The product code, cut code, packaging codes and measurements are always required to verify eligibility of product for export. However, when an exporter description is supplied, the following non-coded components of product definition must not be supplied – additional product description, quality qualification, location qualification and label approval number. These components, if relevant to the export, are assumed to be included in the exporter supplied description.

Data Item: *Name:* Item Description Identification, *Element:* IMD C273/7009

Data Rule: Is set to UHC (User Defined Certificate).

Data Item: *Name:* Certificate Product Description, *Element:* IMD C273/7008

Data Rule: Is set to the value stored for this data element in EXDOC.

5.7.3.111 Reason 18 (Reissue): GR11 IMD (Role – Generated Product Description)

Segment Rule: Conditional. Is only present if stored on the EXDOC database.

Note: The segment is not sent if the RFP is an Order RFP and there is insufficient information to describe product. If not an Order RFP, this product description will be sent if no Exporter Defined Description has been supplied.

Data Item: *Name:* Item Description Identification, *Element:* IMD C273/7009
Data Rule: GHCn (System Generated Certificate), where 'n' is 1 for the first segment holding description text, or 2 for an additional segment if required.

Data Item: *Name:* Certificate Product Description, *Element:* IMD C273/7008
Data Rule: Is set with up to the first 175 characters stored for this data element in EXDOC. If system generated and the product description is over 175 characters, an additional IMD is sent with the remaining characters.

5.7.3.112 Reason 18 (Reissue): GR11 IMD (Role – Additional Product Description)

Segment Rule: Conditional. Is only present if stored on the EXDOC database.

Data Item: *Name:* Item Description Identification, *Element:* IMD C273/7009
Data Rule: Is set to AD (Additional).

Data Item: *Name:* Additional Product Description, *Element:* IMD C273/7008
Data Rule: Is set to the value stored for this data element in EXDOC.

5.7.3.113 Reason 18 (Reissue): GR11 IMD (Role – EAN Description)

Segment Rule: Conditional. Is only present if stored on the EXDOC database.

Data Item: *Name:* Item Description Identification, *Element:* IMD C273/7009
Data Rule: Is set to ED (EAN Description)

Data Item: *Name:* EAN Description, *Element:* IMD C273/7008
Data Rule: Is set to the value stored for this data element in EXDOC.

5.7.3.114 Reason 18 (Reissue): GR11 IMD (Role – Product Condition)

Segment Rule: Conditional. Is only present if stored on the EXDOC database.

Segment Rule: Subject to above, repeatable.

Data Item: *Name:* Item characteristic, *Element:* IMD C272/7081
Data Rule: Must equal 203 (Condition).

Data Item: *Name:* Item Description Identification, *Element:* IMD C273/7009
Data Rule: Must equal CND (Condition).

Data Item: *Name:* CND Product Condition, *Element:* IMD C273/7008
Data Rule: Is set to the value(s) stored for this data element in EXDOC.

5.7.3.115 Reason 18 (Reissue): GR11 IMD (Role – Product Part)

Segment Rule: Conditional. Is only present if stored on the EXDOC database.

Data Item: *Name:* Item Description Identification, *Element:* IMD C273/7009
Data Rule: Must equal PVP (Product Part).

Data Item: *Name:* PVP Product Part, *Element:* IMD C273/7008
Data Rule: Is set to the value(s) stored for this data element in EXDOC.

5.7.3.116 Reason 18 (Reissue): GR11 IMD (Role – Product Quality Qualification)

Segment Rule: Conditional. Is only present if stored on the EXDOC database.

Data Item: *Name:* Item Description Identification, *Element:* IMD C273/7009
Data Rule: Is set to QQ (Quality Qualifier).

Data Item: *Name:* Product Description Quality Qualification, *Element:* IMD C273/7008
Data Rule: Is set to the value stored for this data element in EXDOC.

5.7.3.117 Reason 18 (Reissue): GR11 IMD (Role – Product Location Qualification)

Segment Rule: Conditional. Is only present if stored on the EXDOC database.

Data Item: *Name:* Item Description Identification, *Element:* IMD C273/7009
Data Rule: Is set to LQ (Location Qualifier).

Data Item: *Name:* Product Description Location Qualification, *Element:* IMD C273/7008
Data Rule: Is set to the value stored for this data element in EXDOC.

5.7.3.118 Reason 18 (Reissue): GR11 IMD (Role – Nature of Commodity)

Segment Rule: Conditional. Only present if stored on the EXDOC Database.

Data Item: *Name:* Item Description Identification, *Element:* IMD C273/7009
Data Rule: Must equal NC (Nature of Commodity)

Data Item: *Name:* Nature of Commodity, *Element:* C273/7008
Data Rule: Must equal a Nature of Commodity (see Appendix E for Nature of Commodity Codes).

5.7.3.119 Reason 18 (Reissue): GR11 IMD (Role – Treatment Type)

Segment Rule: Conditional. Only present if stored on the EXDOC Database.

Data Item: *Name:* Item Description Identification, *Element:* IMD C273/7009
Data Rule: Must equal TT (Treatment Type)

Data Item: *Name:* Treatment Type, *Element:* C273/7008
Data Rule: Must equal a Treatment Type (see Appendix E for Treatment Type Codes).

5.7.3.120 Reason 18 (Reissue): GR11 RFF (Role – Label Approval Number)

Segment Rule: Conditional. Is only present if stored on the EXDOC database.

Data Item: *Name:* Reference Qualifier, *Element:* RFF C506/1153
Data Rule: Is set to AFF (Marking/Label Reference).

Data Item: *Name:* Label Approval Number, *Element:* RFF C506/1154
Data Rule: Is set to the value stored for this data element in EXDOC.

5.7.3.121 Reason 18 (Reissue): GR11 GIN (Role – Batch Code)

Segment Rule: Conditional. Is only present if stored on the EXDOC database.

Data Item: *Name:* Identity Number Qualifier, *Element:* GIN 7405

Data Rule: Is set to BX (Batch Number).

Data Item: *Name:* Batch Code, *Element:* GIN C208/7402

Data Rule: Is set to the value stored for this data element in EXDOC.

5.7.3.122 Reason 18 (Reissue): GR11 RFF (Role – Export Scheme Code)

Segment Rule: Conditional. Is only present if stored on the EXDOC database.

Data Item: *Name:* Reference Qualifier, *Element:* RFF C506/1153

Data Rule: Is set to AGW (Scheme/Plan Number).

Data Item: *Name:* Export Scheme Code, *Element:* RFF C506/1154

Data Rule: Is set to the value stored for this data element in EXDOC.

5.7.3.123 Reason 18 (Reissue): GR11 RFF (Role – AMLC Quota Approval Reference)

Segment Rule: Conditional. Is only present if stored on the EXDOC database.

Data Item: *Name:* Reference Qualifier, *Element:* RFF C506/1153

Data Rule: Is set to RE (Release Number).

Data Item: *Name:* AMLC Quota Approval Reference, *Element:* RFF C506/1154

Data Rule: Is set to the value stored for this data element in EXDOC.

5.7.3.124 Reason 18 (Reissue): GR11 ATT (Role – Label Approval Indicator)

Segment Rule: Conditional. Only present if stored on the EXDOC Database.

Data Item: *Name:* Attribute Function Qualifier, Element ATT 9017

Data Rule: Must equal 10

Data Item: *Name:* Label Approval Indicator, Element: ATT C956/9019

Data Rule: Must equal one of Y (Yes) or N (No). Yes means label approval number will be supplied.

Data Item: *Name:* Coded Attribute Type, Element ATT C956/1131

Data Rule: Must equal LAI.

Data Item: *Name:* Code List Responsible Agency, *Element:* ATT C956/3055

Data Rule: Must equal AQ

5.7.3.125 Reason 18 (Reissue): GR11 ATT (Role – Ungraded Product Indicator)

Segment Rule: Conditional. Only present if stored on the EXDOC Database.

Data Item: *Name:* Attribute Function Qualifier, Element ATT 9017

Data Rule: Must equal 10

Data Item: *Name:* Ungraded Product Indicator, Element: ATT C956/9019

Data Rule: Must equal one of Y (Yes) or N (No). Yes means Product is ungraded

Data Item: Name: Coded Attribute Type, Element ATT C956/1131

Data Rule: Must equal UPI

Data Item: *Name:* Code List Responsible Agency, *Element:* ATT C956/3055

Data Rule: Must equal AQ

5.7.3.126 Reason 18 (Reissue): GR11 ATT (Role – Halal Product Indicator)

Segment Rule: Conditional. Only present if stored on the EXDOC Database.

Data Item: *Name:* Attribute Function Qualifier, Element ATT 9017

Data Rule: Must equal 10

Data Item: Name: Halal Product Indicator, Element: ATT C956/9019

Data Rule: Must equal one of Y (Yes) or N (No). Yes means that the product is Halal approved.

Data Item: Name: Coded Attribute Type, Element ATT C956/1131

Data Rule: Must equal HPI.

Data Item: *Name:* Code List Responsible Agency, *Element:* ATT C956/3055

Data Rule: Must equal AQ

5.7.3.127 Reason 18 (Reissue): GR11 ATT (Role – Final Consumer)

Segment Rule: Conditional. Only present if stored on the EXDOC Database.

Data Item: *Name:* Attribute Function Qualifier, Element ATT 9017

Data Rule: Must equal 10

Data Item: Name: Final Consumer, Element: ATT C956/9019

Data Rule: Must equal one of Y (Yes) or N (No). Yes means the product is for the Final Consumer.

Data Item: Name: Coded Attribute Type, Element ATT C956/1131

Data Rule: Must equal FCI.

Data Item: *Name:* Code List Responsible Agency, *Element:* ATT C956/3055

Data Rule: Must equal AQ

5.7.3.128 Reason 18 (Reissue): GR11 ATT (Role – Fish Water Indicator)

Segment Rule: Conditional. Only present if stored on the EXDOC Database.

Data Item: *Name:* Attribute Function Qualifier, Element ATT 9017

Data Rule: Must equal 10

Data Item: Name: Fish Water Indicator, Element: ATT C956/9019

Data Rule: Must equal one of F (Fresh water) or S (Salt water).

Data Item: Name: Coded Attribute Type, Element ATT C956/1131

Data Rule: Must equal FWI.

Data Item: *Name:* Code List Responsible Agency, *Element:* ATT C956/3055

Data Rule: Must equal AQ

5.7.3.129 Reason 18 (Reissue): GR11 DTM (Role – Durability Start Date)

Segment Rule: Conditional. Is only present if stored on the EXDOC database.

Data Item: *Name:* Date/time/period Qualifier, *Element:* DTM C507/2005

Data Rule: Is set to 194 (Start Date).

Data Item: *Name:* Durability Start Date, *Element:* DTM C507/2380

Data Rule: Is set to the value stored for this data element in EXDOC.

Data Item: *Name:* Date/time/period Format Qualifier, *Element:* DTM C507/2379

Data Rule: Is set to 102 (ccyymmdd).

5.7.3.130 Reason 18 (Reissue): GR11 DTM (Role – Durability End Date)

Segment Rule: Conditional. Is only present if stored on the EXDOC database.

Data Item: *Name:* Date/time/period Qualifier, *Element:* DTM C507/2005

Data Rule: Is set to 206 (End Date).

Data Item: *Name:* Durability End Date, *Element:* DTM C507/2380

Data Rule: Is set to the value stored for this data element in EXDOC.

Data Item: *Name:* Date/time/period Format Qualifier, *Element:* DTM C507/2379

Data Rule: Is set to 102 (ccyymmdd).

5.7.3.131 Reason 18 (Reissue): GR11 DTM (Role – Salting Date)

Segment Rule: Conditional. Is only present if stored on the EXDOC database.

Data Item: *Name:* Date/time/period Qualifier, *Element:* DTM C507/2005

Data Rule: Must equal 9 (Processing date).

Data Item: *Name:* Salting Date, *Element:* DTM C507/2380

Data Rule: Is set to the value stored for this data element in EXDOC.

Data Item: *Name:* Date/time/period Format Qualifier, *Element:* DTM C507/2379

Data Rule: Is set to 102 (ccyymmdd).

5.7.3.132 Reason 18 (Reissue): GR11 DTM (Role – Catch Start Date)

Segment Rule: Conditional. Only present if stored on the EXDOC Database.

Data Item: *Name:* Date/time/period Qualifier, *Element:* DTM C507/2005

Data Rule: Is set to 163 (Processing Start Date)

Data Item: *Name:* Catch Start Date, *Element:* DTM C507/2380

Data Rule: Is set to the value stored for this data element in EXDOC

Data Item: *Name:* Date/time/period Format Qualifier, *Element:* DTM C507/2379

Data Rule: Is set to 102 (ccyymmdd).

5.7.3.133 Reason 18 (Reissue): GR11 DTM (Role – Catch End Date)

Segment Rule: Conditional. Only present if stored on the EXDOC Database.

Data Item: *Name:* Date/time/period Qualifier, *Element:* DTM C507/2005

Data Rule: Is set to 164 (Processing End Date)

Data Item: *Name:* Catch End Date, *Element:* DTM C507/2380

Data Rule: Is set to the value stored for this data element in EXDOC

Data Item: *Name:* Date/time/period Format Qualifier, *Element:* DTM C507/2379

Data Rule: Is set to 102 (ccyymmdd).

5.7.3.134 Reason 18 (Reissue): GR11 LOC (Role – Product Source State)

Segment Rule: Conditional. Is only present if stored on the EXDOC database.

Data Item: *Name:* Place/Location Qualifier, *Element:* LOC 3227

Data Rule: Is set to ZZZ (Product Source State).

Data Item: *Name:* Product Source State, *Element:* LOC C517/3225

Data Rule: Is set to the value stored for this data element in EXDOC.

5.7.3.135 Reason 18 (Reissue): GR11 LOC (Role – Product Country of Origin)

Segment Rule: Conditional. Is only present if stored on the EXDOC database.

Data Item: *Name:* Place/Location Qualifier, *Element:* LOC 3227

Data Rule: Is set to 27 (Country of origin).

Data Item: *Name:* Product Country of Origin, *Element:* LOC C517/3225

Data Rule: Is set to the value stored for this data element in EXDOC.

5.7.3.136 Reason 18 (Reissue): GR11 FTX (Role – Additional Declaration Text)

Segment Rule: Conditional. Is only present if stored on the EXDOC database.

Data Item: *Name:* Text Subject Qualifier, *Element:* FTX 4451

Data Rule: Is set to AAZ (Additional Declaration).

Data Item: *Name:* Additional Declaration Text, *Element:* FTX C108/4440

Data Rule: Is set to the value stored for this data element in EXDOC.

5.7.3.137 Reason 18 (Reissue): GR11 FTX (Role – Coded Statement)

Segment Rule: Conditional. Is only present if stored on the EXDOC database.

Data Item: *Name:* Text Subject Qualifier, *Element:* FTX 4451

Data Rule: Must equal ZZZ (Coded Statement).

Data Item: *Name:* Statement Number, *Element:* FTX C108/4440

Data Rule: Is set to the value stored for this data element in EXDOC.

5.7.3.138 Reason 18 (Reissue): GR11 FTX (Role – Free Text Statement)

Segment Rule: Conditional. Is only present if stored on the EXDOC database.

Data Item: *Name:* Text Subject Qualifier, *Element:* FTX 4451
Data Rule: Must equal AAY (Free Text Statement).

Data Item: *Name:* Statement Text, *Element:* FTX C108/4440
Data Rule: Is set to the value stored for this data element in EXDOC.

5.7.3.139 Reason 18 (Reissue): GR11 FTX (Role – Import Authority Code)

Segment Rule: Conditional. Is only present if stored on the EXDOC database.

Data Item: *Name:* Text Subject Qualifier, *Element:* FTX 4451
Data Rule: Must equal ABL (Government Information).

Data Item: *Name:* Import Authority Code, *Element:* FTX C108/4440
Data Rule: Is set to the value stored for this data element in EXDOC.

5.7.3.140 Reason 18 (Reissue): GR11 FTX (Role – Client Line Item Identifier)

Segment Rule: Conditional. Is only present if stored on the EXDOC database.

Data Item: *Name:* Text Subject Qualifier, *Element:* FTX 4451
Data Rule: Must equal LIN (Line Item Information).

Data Item: *Name:* Client Line Item Identifier, *Element:* FTX C108/4440
Data Rule: Is set to the value stored for this data element in EXDOC.

5.7.3.141 Reason 18 (Reissue): GR11 MOA (Role – FOB Amount)

Segment Rule: Conditional. Is only present if stored on the EXDOC database.

Data Item: *Name:* Monetary Amount Qualifier, *Element:* MOA C516/5025
Data Rule: Is set to 63 (Free On Board Value).

Data Item: *Name:* FOB Amount, *Element:* MOA C516/5004
Data Rule: Is set to a monetary amount.

5.7.3.142 Reason 18 (Reissue): GR12 DOC (Role – Extra Certificate)

Segment Rule: Conditional. Is only present if stored on the EXDOC database.

Data Item: *Name:* Document Name, *Element:* DOC C002/1001
Data Rule: Is set to 852 (Sanitary Certificate).

Data Item: *Name:* Extra Certificate Template, *Element:* DOC C002/1000
Data Rule: Is set to the value stored for this data element in EXDOC.

Data Item: *Name:* Document Status, *Element:* DOC C503/1373
Data Rule: Is set to 9 (To be printed).

5.7.3.143 Reason 18 (Reissue): GR12 DOC (Role – Assigned Primary Certificate)

Segment Rule: Conditional. Is only present if stored on the EXDOC database.

Segment Rule: This segment may be repeated in situations where the CRF is used for the RFP and an RFP line is split across different primary certificates.

Data Item: *Name:* Document Name, *Element:* DOC C002/1001

- Data Rule: Is set to 852 (Primary Sanitary Certificate)
- Data Item: *Name: Certificate Template & Endorsement, Element: DOC C002/1000*
Data Rule: Is set to an assigned Certificate Template & Endorsement Code.
- Data Item: *Name: Certificate Number, Element: DOC C503/1004*
Data Rule: Is set to an assigned Certificate Number.
- Data Item: *Name: Document Status, Element: DOC C503/1373*
Data Rule: Is set to 1 (Accepted).

5.7.3.144 Reason 18 (Reissue): GR12 DOC (Role – Assigned Secondary Certificate)

Segment Rule: Conditional. Is only present if stored on the EXDOC database.

- Data Item: *Name: Document Name, Element: DOC C002/1001*
Data Rule: Is set to 3 (Associated Sanitary Certificate)
- Data Item: *Name: Certificate Template & Endorsement, Element: DOC C002/1000*
Data Rule: Is set to an assigned Certificate Template & Endorsement Code.
- Data Item: *Name: Certificate Number, Element: DOC C503/1004*
Data Rule: Is set to an assigned Certificate Number.
- Data Item: *Name: Document Status, Element: DOC C503/1373*
Data Rule: Is set to 1 (Accepted).

5.7.3.145 Reason 18 (Reissue): GR12 DOC (Role – Related Export Permit Number)

Segment Rule: Conditional. Is only present if stored on the EXDOC database.

- Data Item: *Name: Document Name, Element: DOC C002/1001*
Data Rule: Is set to 841 (Goods Control Certificate).
- Data Item: *Name: Related Export Permit Number, Element: DOC C503/1004*
Data Rule: Is set to the value stored for this data element in EXDOC.
- Data Item: *Name: Document Source, Element: DOC C503/1366*
Data Rule: Is set to an Export Permit Type (see Appendix E for Export Permit Type Codes).

5.7.3.146 Reason 18 (Reissue): GR12 DTM (Role – Related Export Permit Date)

Segment Rule: Conditional. Is only present if stored on the EXDOC database.

- Data Item: *Name: Date/time/period Qualifier, Element: DTM C507/2005*
Data Rule: Is set to 137 (Document Date).
- Data Item: *Name: Related Export Permit Date, Element: DTM C507/2380*
Data Rule: Is set to the value stored for this data element in EXDOC.
- Data Item: *Name: Date/time/period Format Qualifier, Element: DTM C507/2379*
Data Rule: Is set to 102 (ccyyymmdd).

5.7.3.147 Reason 18 (Reissue): GR13 PNA (Role – AMLC Performance Exporter Number)

Segment Rule: Conditional. Is only present if stored on the EXDOC database.

Data Item: *Name:* Party Qualifier, *Element:* PNA 3035

Data Rule: Is set to EX (Exporter).

Data Item: *Name:* AMLC Performance Exporter Number, *Element:* PNA C206/7402

Data Rule: Is set to the value stored for this data element in EXDOC..

5.7.3.148 Reason 18 (Reissue): GR15 PAC (Role – Packaging Details)

Segment Rule: Conditional. Is only present if stored on the EXDOC database.

Note: Once the RFP has attained a formal status, at least one PAC/PCI/MEA segment group will be present to identify outer packaging. Additional PAC/MEA groups may be present if intermediate or inner packaging is described.

Data Item: *Name:* Package Quantity, *Element:* PAC 7224

Data Rule: Is set to the value stored for this data element in EXDOC.

Data Item: *Name:* Packaging Level, *Element:* PAC C531/7075

Data Rule: Is set to the value stored for this data element in EXDOC.

Data Item: *Name:* Package Type, *Element:* PAC C202/7065

Data Rule: Is set to the value stored for this data element in EXDOC.

Data Item: *Name:* Code List Responsible Agency, *Element:* PAC C202/3055

Data Rule: Is set to AQ.

5.7.3.149 Reason 18 (Reissue): GR15 PCI (Role – Shipping Marks)

Segment Rule: Conditional. Is only present if stored on the EXDOC database.

Data Item: *Name:* Shipping Marks, *Element:* PCI C210/7102

Data Rule: Is set to the value stored for this data element in EXDOC.

5.7.3.150 Reason 18 (Reissue): GR15 MEA (Role – Package Measurement)

Segment Rule: Conditional. Is only present if stored on the EXDOC database.

Data Item: *Name:* Measure Application Qualifier, *Element:* MEA 6311

Data Rule: Is set to AAU (Package Weight).

Data Item: *Name:* Measure Dimension Coded, *Element:* MEA C502/6313

Data Rule: Is set to AAL (Net Weight).

Data Item: *Name:* Package Weight Accuracy, *Element:* MEA C502/6321

Data Rule: Is set to the value stored for this data element in EXDOC.

Data Item: *Name:* Package Unit, *Element:* MEA C174/6411

Data Rule: Is set to the value stored for this data element in EXDOC.

Data Item: *Name:* Package Unit Amount, *Element:* MEA C174/6314

Data Rule: Is set to the value stored for this data element in EXDOC.

5.7.3.151 Reason 18 (Reissue): GR16 EQD (Role – Container)

Segment Rule: Conditional. Is only present if stored on the EXDOC database.

Data Item: *Name:* Equipment Identifier, *Element:* EQD 8053

Data Rule: Is set to CN (Container).

Data Item: *Name:* Container Number, *Element:* EQD C237/8260

Data Rule: Is set to the value stored for this data element in EXDOC.

5.7.3.152 Reason 18 (Reissue): GR16 MEA (Role – IMA1 Net Weight)

Segment Rule: Conditional. Is only present if stored on the EXDOC database.

Data Item: *Name:* Measure Application Qualifier, *Element:* MEA 6311

Data Rule: Is set to WT (Weight).

Data Item: *Name:* Measure Dimension Coded, *Element:* MEA C502/6313

Data Rule: Is set to AAC (Net weight).

Data Item: *Name:* IMA1 Net Weight Amount, *Element:* MEA C174/6314

Data Rule: Is set to the value stored for this data element in EXDOC.

5.7.3.153 Reason 18 (Reissue): GR16 MEA (Role – IMA1 Gross Weight)

Segment Rule: Conditional. Is only present if stored on the EXDOC database.

Data Item: *Name:* Measure Application Qualifier, *Element:* MEA 6311

Data Rule: Is set to WT (Weight).

Data Item: *Name:* Measure Dimension Coded, *Element:* MEA C502/6313

Data Rule: Is set to AAE (Gross Weight).

Data Item: *Name:* IMA1 Gross Weight Amount, *Element:* MEA C174/6314

Data Rule: Is set to the value stored for this data element in EXDOC.

5.7.3.154 Reason 18 (Reissue): GR16 IMD (Role – IMA1 Product Description)

Segment Rule: Conditional. Is only present if stored on the EXDOC database.

Data Item: *Name:* Item Description Identification, *Element:* IMD C273/7009

Data Rule: Is set to IMA1 (IMA1 Product Description).

Data Item: *Name:* IMA1 Product Description, *Element:* IMD C273/7008

Data Rule: Is set to the value stored for this data element in EXDOC.

5.7.3.155 Reason 18 (Reissue): GR16 GIN (Role – IMA1 Serial Number)

Segment Rule: Conditional. Is only present if stored on the EXDOC database.

Data Item: *Name:* Identity Number Qualifier, *Element:* GIN 7405

Data Rule: Is set to BN (Serial Number).

Data Item: *Name:* IMA1 Serial Number, *Element:* GIN C208/7402

Data Rule: Is set to the value stored for this data element in EXDOC.

5.7.3.156 Reason 18 (Reissue): GR16 GIN (Role – IMA1 Invoice Number)

Segment Rule: Conditional. Is only present if stored on the EXDOC database.

Data Item: *Name:* Identity Number Qualifier, *Element:* GIN 7405
Data Rule: Is set to IL (Invoice Number).

Data Item: *Name:* IMA1 Invoice Number, *Element:* GIN C208/7402
Data Rule: Is set to the value stored for this data element in EXDOC.

5.7.3.157 Reason 18 (Reissue): GR16 DTM (Role – IMA1 Invoice Date)

Segment Rule: Conditional. Is only present if stored on the EXDOC database.

Data Item: *Name:* Date/time/period Qualifier, *Element:* DTM C507/2005
Data Rule: Is set to 3 (Invoice date).

Data Item: *Name:* IMA1 Invoice Date, *Element:* DTM C507/2380
Data Rule: Is set to the value stored for this data element in EXDOC.

Data Item: *Name:* Date/time/period Format Qualifier, *Element:* DTM C507/2379
Data Rule: Is set to 102 (ccyymmdd).

5.7.3.158 Reason 18 (Reissue): GR16 FTX (Role – IMA1 Quota Year)

Segment Rule: Conditional. Is only present if stored on the EXDOC database.

Data Item: *Name:* Text Subject Qualifier, *Element:* FTX 4451
Data Rule: Is set to AAI (General Information).

Data Item: *Name:* IMA1 Quota Year, *Element:* FTX C108/4440
Data Rule: Is set to the value stored for this data element in EXDOC.

5.7.3.159 Reason 18 (Reissue): GR17 SEL (Role – Container Seal)

Segment Rule: Conditional. Is only present if stored on the EXDOC database.

Data Item: *Name:* Seal Number, *Element:* SEL 9308
Data Rule: Is set to the value stored for this data element in EXDOC.

5.7.3.160 Reason 18 (Reissue): GR18 PRC (Role – Treatment)

Segment Rule: Conditional. Is only present if stored on the EXDOC database.

Data Item: *Name:* Process Type Identification, *Element:* PRC C242/7187
Data Rule: Must equal TR (Treatment).

Data Item: *Name:* Code List Qualifier, *Element:* PRC C242/1131
Data Rule: Is set to PP (Product Process).

Data Item: *Name:* Code List Responsible Agency, *Element:* PRC C242/3055
Data Rule: Is set to AQ.

5.7.3.161 Reason 18 (Reissue): GR18 IMD (Role – Treatment Information)

Segment Rule: Conditional. Is only present if stored on the EXDOC database.

Data Item: *Name:* Item characteristic, *Element:* IMD 7081

Data Rule: Is set to 25 (End Treatment).

Data Item: *Name:* Treatment Code, *Element:* IMD C273/7009

Data Rule: Is set to the value stored for this data element in EXDOC.

Data Item: *Name:* Treatment Information, *Element:* IMD C273/7008

Data Rule: Is set to the value stored for this data element in EXDOC.

5.7.3.162 Reason 18 (Reissue): GR18 IMD (Role – Treatment Active Ingredient)

Segment Rule: Conditional. Is only present if stored on the EXDOC database.

Segment Rule: Subject to above, repeatable.

Data Item: *Name:* Item Description Identification, *Element:* IMD C273/7009

Data Rule: Must equal TAI (Treatment Active Ingredient).

Data Item: *Name:* TAI Treatment Active Ingredient, *Element:* IMD C273/7008

Data Rule: Is set to the value stored for this data element in EXDOC.

5.7.3.163 Reason 18 (Reissue): GR18 MEA (Role – Treatment Concentration)

Segment Rule: Conditional. Is only present if stored on the EXDOC database.

Data Item: *Name:* Measure Application Qualifier, *Element:* MEA 6311

Data Rule: Must equal CH (Chemistry).

Data Item: *Name:* Measure Unit Qualifier, *Element:* MEA C174/6411

Data Rule: Is set to the value stored for this data element in EXDOC.

Data Item: *Name:* Treatment Concentration amount, *Element:* MEA C174/6314

Data Rule: Is set to the value stored for this data element in EXDOC.

5.7.3.164 Reason 18 (Reissue): GR18 MEA (Role – Treatment Duration)

Segment Rule: Conditional. Is only present if stored on the EXDOC database.

Data Item: *Name:* Measure Application Qualifier, *Element:* MEA 6311

Data Rule: Must equal ABV (Unit of Time).

Data Item: *Name:* Measure Dimension Coded, *Element:* MEA C502/6313

Data Rule: Must equal TN (Time Period).

Data Item: *Name:* Measure Unit Qualifier, *Element:* MEA C174/6411

Data Rule: Is set to the value stored for this data element in EXDOC.

Data Item: *Name:* Treatment Duration amount, *Element:* MEA C174/6314

Data Rule: Is set to the value stored for this data element in EXDOC.

5.7.3.165 Reason 18 (Reissue): GR18 MEA (Role – Treatment Temperature)

Segment Rule: Conditional. Is only present if stored on the EXDOC database.

Data Item: *Name:* Measure Application Qualifier, *Element:* MEA 6311

Data Rule: Must equal TE (Temperature).

Data Item: *Name:* Measure Dimension Coded, *Element:* MEA C502/6313

Data Rule: Must equal TC (Temperature).

Data Item: *Name:* Measure Unit Qualifier, *Element:* MEA C174/6411

Data Rule: Is set to the value stored for this data element in EXDOC.

Data Item: *Name:* Treatment Temperature value, *Element:* MEA C174/6314

Data Rule: Is set to the value stored for this data element in EXDOC.

5.7.3.166 Reason 18 (Reissue): GR18 DTM (Role – Treatment Date)

Segment Rule: Conditional. Is only present if stored on the EXDOC database.

Data Item: *Name:* Date/time/period Qualifier, *Element:* DTM C507/2005

Data Rule: Is set to 194 (Start Date).

Data Item: *Name:* Process Start Date, *Element:* DTM C507/2380

Data Rule: Is set to the value stored for this data element in EXDOC.

Data Item: *Name:* Date/time/period Format Qualifier, *Element:* DTM C507/2379

Data Rule: Is set to 102 (ccyymmdd).

5.7.3.167 Reason 18 (Reissue): GR18 DTM (Role – Treatment End Date)

Segment Rule: Conditional. Is only present if stored on the EXDOC database.

Data Item: *Name:* Date/time/period Qualifier, *Element:* DTM C507/2005

Data Rule: Is set to 206 (End Date).

Data Item: *Name:* Process Start Date, *Element:* DTM C507/2380

Data Rule: Is set to the value stored for this data element in EXDOC.

Data Item: *Name:* Date/time/period Format Qualifier, *Element:* DTM C507/2379

Data Rule: Is set to 102 (ccyymmdd).

5.7.3.168 Reason 18 (Reissue): GR18 PRC (Role – Harvest Process)

Segment Rule: Conditional. Is only present if stored on the EXDOC database.

Data Item: *Name:* Process Type Identification, *Element:* PRC C242/7187

Data Rule: Must equal HA (Harvest).

Data Item: *Name:* Code List Qualifier, *Element:* PRC C242/1131

Data Rule: Is set to PP (Product Process).

Data Item: *Name:* Code List Responsible Agency, *Element:* PRC C242/3055

Data Rule: Is set to AQ.

5.7.3.169 Reason 18 (Reissue): GR18 DTM (Role – Harvest Start Date)

Segment Rule: Conditional. Is only present if stored on the EXDOC database.

Data Item: *Name:* Date/time/period Qualifier, *Element:* DTM C507/2005

Data Rule: Is set to 194 (Start Date).

Data Item: *Name:* Process Start Date, *Element:* DTM C507/2380

Data Rule: Is set to the value stored for this data element in EXDOC.

Data Item: *Name:* Date/time/period Format Qualifier, *Element:* DTM C507/2379
Data Rule: Is set to 102 (ccyymmdd).

5.7.3.170 Reason 18 (Reissue): GR18 DTM (Role – Harvest End Date)

Segment Rule: Conditional. Is only present if stored on the EXDOC database.

Data Item: *Name:* Date/time/period Qualifier, *Element:* DTM C507/2005
Data Rule: Is set to 206 (End Date).

Data Item: *Name:* Process End Date, *Element:* DTM C507/2380
Data Rule: Is set to the value stored for this data element in EXDOC.

Data Item: *Name:* Date/time/period Format Qualifier, *Element:* DTM C507/2379
Data Rule: Is set to 102 (ccyymmdd).

5.7.3.171 Reason 18 (Reissue): GR18 DTM (Role – Depuration Date)

Segment Rule: Conditional. Is only present if stored on the EXDOC database.

Data Item: *Name:* Date/time/period Qualifier, *Element:* DTM C507/2005
Data Rule: Must equal 9 (Processing Date).

Data Item: *Name:* Depuration Date, *Element:* DTM C507/2380
Data Rule: Is set to the value stored for this data element in EXDOC.

Data Item: *Name:* Date/time/period Format Qualifier, *Element:* DTM C507/2379
Data Rule: Must equal 102 (ccyymmdd).

5.7.3.172 Reason 18 (Reissue): GR18 LOC (Role – Harvest Area/Lease Number)

Segment Rule: Conditional. Is only present if stored on the EXDOC database.

Data Item: *Name:* Place/Location Qualifier, *Element:* LOC 3227
Data Rule: Must be equal to 48 (Region of production).

Data Item: *Name:* Harvesting Area, *Element:* LOC C517/3225
Data Rule: Is set to the value stored for this data element in EXDOC.

Data Item: *Name:* Lease Number, *Element:* LOC C519/3223
Data Rule: Is set to the value stored for this data element in EXDOC.

5.7.3.173 Reason 18 (Reissue): GR19 PNA (Role – Depuration Plant Number)

Segment Rule: Conditional. Is only present if stored on the EXDOC database.

Data Item: *Name:* Party Qualifier, *Element:* PNA 3035
Data Rule: Must equal SK (Plant).

Data Item: *Name:* Depuration Plant Number, *Element:* PNA C206/7402
Data Rule: Is set to the value stored for this data element in EXDOC.

5.7.3.174 Reason 18 (Reissue): GR18 PRC (Role – Production Process)

Segment Rule: Conditional. Is only present if stored on the EXDOC database.

Data Item: *Name: Process Type Identification, Element: PRC C242/7187*
Data Rule: Is set to the value stored for this data element in EXDOC.

Data Item: *Name: Code List Qualifier, Element: PRC C242/1131*
Data Rule: Is set to PP (Product Process).

Data Item: *Name: Code List Responsible Agency, Element: PRC C242/3055*
Data Rule: Is set to AQ.

5.7.3.175 Reason 18 (Reissue): GR18 DTM (Role – Process Start Date)

Segment Rule: Conditional. Is only present if stored on the EXDOC database.

Data Item: *Name: Date/time/period Qualifier, Element: DTM C507/2005*
Data Rule: Is set to 194 (Start Date).

Data Item: *Name: Process Start Date, Element: DTM C507/2380*
Data Rule: Is set to the value stored for this data element in EXDOC.

Data Item: *Name: Date/time/period Format Qualifier, Element: DTM C507/2379*
Data Rule: Is set to 102 (ccyymmdd).

5.7.3.176 Reason 18 (Reissue): GR18 DTM (Role – Process End Date)

Segment Rule: Conditional. Is only present if stored on the EXDOC database.

Data Item: *Name: Date/time/period Qualifier, Element: DTM C507/2005*
Data Rule: Is set to 206 (End Date).

Data Item: *Name: Process End Date, Element: DTM C507/2380*
Data Rule: Is set to the value stored for this data element in EXDOC.

Data Item: *Name: Date/time/period Format Qualifier, Element: DTM C507/2379*
Data Rule: Is set to 102 (ccyymmdd).

5.7.3.177 Reason 18 (Reissue): GR19 PNA (Role – Process Establishment Number/Name)

Segment Rule: Conditional. Is only present if stored on the EXDOC database.

Data Item: *Name: Party Qualifier, Element: PNA 3035*
Data Rule: Is set to MP (Manufacturing Plant).

Data Item: *Name: Establishment Number, Element: PNA C206/7402*
Data Rule: Is set to the value stored for this data element in EXDOC.

Data Item: *Name: Name Component Qualifier, Element: PNA C816/3405*
Data Rule: Set to 10 (Full Name).

Data Item: *Name: Establishment Name, Element: PNA C816/3398*
Data Rule: Is set to the value stored for this data element in EXDOC.

5.7.3.178 Reason 18 (Reissue): GR19 ADR (Role – Processing Establishment Address)

Segment Rule: Conditional. Is only present if stored on the EXDOC database.

Data Item: *Name: Address Format, Element: ADR C090/3477*

Data Rule: Is set to the value stored for this data element in EXDOC.

Data Item: *Name: Establishment Street, Element: ADR C090/3286*
Data Rule: Is set to the value stored for this data element in EXDOC.

Data Item: *Name: Establishment City, Element: ADR 3164*
Data Rule: Is set to the value stored for this data element in EXDOC.

Data Item: *Name: Establishment Postcode, Element: ADR 3251*
Data Rule: Is set to the value stored for this data element in EXDOC.

Data Item: *Name: Establishment State, Element: ADR C819/3228*
Data Rule: Is set to the value stored for this data element in EXDOC.

5.7.3.179 Reason 18 (Reissue): GR20 CTA (Role – Processing Establishment Contact Details)

Segment Rule: Conditional. Is only present if stored on the EXDOC database.

Data Item: *Name: Contact Function, Element: CTA 3139*
Data Rule: Set to ZZZ.

5.7.3.180 Reason 18 (Reissue): GR20 COM (Role – Processing Establishment Phone Number)

Segment Rule: Conditional. Is only present if stored on the EXDOC database.

Data Item: *Name: Establishment Phone Number, Element: COM C076/3148*
Data Rule: Is set to the value stored for this data element in EXDOC.

Data Item: *Name: Communication Number, Element: COM C076/3155*
Data Rule: Set to TE (Telephone).

5.7.3.181 Reason 18 (Reissue): UNT

Segment Rule: Mandatory. See 4.5 for UNT processing details.

5.8 Forward RFP Advice

5.8.1 Function

The function of this message is to provide a copy of an RFP following a request by an Owner EDI User to forward the RFP to another EDI User. Once successfully forwarded, the requesting EDI User loses control of RFP and amendments can only be made by the Forwardee EDI User, which becomes the Owner EDI User.

5.8.2 Message

SANCRT, with RFP Reason 80 (Forward Advice).

5.8.3 Processing

EXDOC extracts all information that is stored for the RFP on the EXDOC database for transmission in this type of message. The segments sent are defined in the Message/Segment Summary at Appendix B.

Processing of each specific segment is as defined in Reissue RFP.

5.9 Copy RFP Request

5.9.1 Function

The function of this message is to request a copy of an RFP from the EXDOC system. Copy requests can be submitted at any time, but are restricted to the current Owner EDI User for the RFP.

Copy requests are acknowledged via the Copy RFP Advice message or, if invalid, the RFP Acknowledge message.

5.9.2 Message

SANCRT, with RFP Reason 31 (Copy).

5.9.3 Processing

The following validation is performed by the EXDOC system on this type of message. Segments not listed are not required and not allowed.

5.9.3.1 Reason 31 (Copy): UNH

Segment Rule: Mandatory. See 4.4 for UNH processing details.

5.9.3.2 Reason 31 (Copy): GR0 BGM (Role – RFP Identification)

Segment Rule: Mandatory.

Data Item: *Name:* Commodity Type, *Element:* BGM C002/1001

Data Rule: Optional. If present, must equal the Commodity Type Code stored for the RFP on the EXDOC database.

Data Item: *Name:* Code List Responsible Agency, *Element:* BGM C002/3055

Data Rule: Must equal AQ

Data Item: *Name:* Priority, *Element:* BGM C002/1000

Data Rule: Must equal 9 (Normal).

Data Item: *Name:* RFP Number, *Element:* BGM 1004

Data Rule: Conditional. If not present, Exporter Reference and Owner Exporter Number must be present.

Data Rule: The RFP Number must exist in EXDOC.

Data Item: *Name:* RFP Reason, *Element:* BGM 1225

Data Rule: Must equal 31 (Copy).

Data Item: *Name:* RFP Response Type, *Element:* BGM 4343

Data Rule: Not Required.

Data Rule: Must be null.

5.9.3.3 Reason 31 (Copy): GR0 RFF (Role – Exporter Reference)

Segment Rule: Conditional. If not present, RFP Number must be present.

Data Item: *Name:* Reference Qualifier, *Element:* RFF C506/1153

Data Rule: Must equal ABE (Declarant's Reference).

Data Item: *Name:* Exporter Reference, *Element:* RFF C506/1154

Data Rule: Must equal the Exporter Reference stored for the RFP on the EXDOC database.

5.9.3.4 Reason 31 (Copy): GR2 PNA (Role – Owner Exporter Number)

Segment Rule: Conditional. If not present, RFP Number must be present.

Data Item: *Name:* Party Qualifier, *Element:* PNA 3035

Data Rule: Must equal EX (Exporter).

Data Item: *Name:* Owner Exporter Number, *Element:* PNA C206/7402

Data Rule: Must equal the Owner Exporter Number stored for the RFP on the EXDOC database.

5.9.3.5 Reason 31 (Copy): UNT

Segment Rule: Mandatory. See 4.5 for UNT processing details.

5.10 Copy RFP Advice

5.10.1 Function

The function of this message is to provide a copy of an RFP following a Copy Request from the exporter.

5.10.2 Message

SANCRT, with RFP Reason 7 (Copy Advice).

5.10.3 Processing

EXDOC extracts all information that is stored for the RFP on the EXDOC database for transmission in this type of message. The segments sent are defined in the Message/Segment Summary at Appendix B.

Processing of each specific segment is as defined in Reissue RFP, with the exception of the BGM, which is used to accept the Copy Request as defined below.

5.10.3.1 Reason 7 (Copy Advice): GR0 BGM (Role – RFP Identification)

Segment Rule: Mandatory.

Data Item: *Name:* Commodity Type, *Element:* BGM C002/1001
Data Rule: Is set to the Commodity Type Code stored for the RFP on the EXDOC database.

Data Item: *Name:* Code List Responsible Agency, *Element:* BGM C002/3055
Data Rule: Is set to AQ.

Data Item: *Name:* Priority, *Element:* BGM C002/1000
Data Rule: Is set to 9 (Normal).

Data Item: *Name:* RFP Number, *Element:* BGM 1004
Data Rule: Conditional.
Data Rule: Is set to the requested RFP Number.

Data Item: *Name:* RFP Reason, *Element:* BGM 1225
Data Rule: Is set to 7 (Copy Advice).

Data Item: *Name:* RFP Response Type, *Element:* BGM 4343
Data Rule: Is set to AP (Accepted).

5.11 Transfer RFP

5.11.1 Function

The function of this message is to request the transfer of an RFP at INIT, INSP, FINL or HCRD status from the current owner exporter to another exporter, or to cancel a request to transfer. Transfer requests can be submitted at any time prior to finalisation, but are restricted to the current Owner EDI User for the RFP acting on behalf of the current Owner Exporter.

Transfer requests are acknowledged via the RFP Acknowledgment message. They cause a Transfer RFP Advice message to be sent to the Transferee Exporter. Transfer requests can be cancelled by the Transferor Exporter provided the RFP is in transfer (i.e. a transfer request has been submitted but the Transferee Exporter has not yet accepted or rejected the transfer).

The Transferee Exporter accepts or rejects the transfer using the Accept RFP message, at which point EXDOC will advise the Transferor and Transferee Exporter of the acceptance or rejection via the Accept RFP Advice message.

5.11.2 Message

SANCRT, with RFP Reason 90 (Transfer).

5.11.3 Processing

The following validation is performed by the EXDOC system on this type of message. Segments not listed are not required and not allowed.

5.11.3.1 Reason 90 (Transfer): UNH

Segment Rule: Mandatory. See 4.4 for UNH processing details.

5.11.3.2 Reason 90 (Transfer): GR0 BGM (Role – RFP Identification)

Segment Rule: Mandatory.

Data Item: *Name:* Commodity Type, *Element:* BGM C002/1001
 Data Rule: Must equal the Commodity Type Code stored for the RFP on the EXDOC database.

Data Item: *Name:* Code List Responsible Agency, *Element:* BGM C002/3055
 Data Rule: Must equal AQ

Data Item: *Name:* Priority, *Element:* BGM C002/1000
 Data Rule: Must equal 9 (Normal).

Data Item: *Name:* RFP Number, *Element:* BGM 1004
 Data Rule: The RFP Number must exist in EXDOC.
 Data Rule: The RFP Compliance Code must not equal ORDR, EMHC, SUSP, CANC or COMP.

Data Item: *Name:* RFP Reason, *Element:* BGM 1225
 Data Rule: Must equal 90 (Transfer).

Data Item: *Name:* RFP Response Type, *Element:* BGM 4343
 Data Rule: Not Required.

Data Rule: Must be null.

5.11.3.3 Reason 90 (Transfer): GR0 GIS (Role – Cancel Transfer Indicator)

Segment Rule: Conditional. Must only be present if the RFP is in transfer (i.e. a transfer request has been submitted and the Transferee Exporter has not yet accepted or rejected the transfer).

Data Item: *Name:* Cancel Transfer Indicator, *Element:* GIS C529/7365
Data Rule: Must equal Y (Yes). Y indicates the transfer request is to be cancelled.

Data Item: *Name:* Code List Responsible Agency, *Element:* GIS C529/3055
Data Rule: Must equal AQ

Data Item: *Name:* Code List Qualifier, *Element:* GIS C529/7187
Data Rule: Must equal CT.

5.11.3.4 Reason 90 (Transfer): GR2 PNA (Role – Owner Exporter Number)

Segment Rule: Mandatory.

Data Item: *Name:* Party Qualifier, *Element:* PNA 3035
Data Rule: Must equal EX (Exporter).

Data Item: *Name:* Owner Exporter Number, *Element:* PNA C206/7402
Data Rule: Must equal the Owner Exporter Number stored for the RFP on the EXDOC database.

5.11.3.5 Reason 90 (Transfer): GR2 PNA (Role – Transferee Exporter Number)

Segment Rule: Mandatory.

Data Item: *Name:* Party Qualifier, *Element:* PNA 3035
Data Rule: Must equal TT (Transfer To).

Data Item: *Name:* Transferee Exporter Number, *Element:* PNA C206/7402
Data Rule: Must be a current Exporter Number.
Data Rule: Must not be the current Owner Exporter Number.

5.11.3.6 Reason 90 (Transfer): GR3 CTA (Role – Transferee EDI User Identifier)

Segment Rule: Mandatory.

Data Item: *Name:* Contact Function, *Element:* CTA 3139
Data Rule: Must equal AG (Agent).

Data Item: *Name:* Transferee EDI User Identifier, *Element:* CTA C056/3413
Data Rule: Must be an EDI User Identifier able to operate on behalf of the Transferee Exporter.

Note: May be the current Owner EDI User Identifier for the RFP, allowing the transfer of the RFP between trading names for the one exporter.

5.11.3.7 Reason 90 (Transfer): UNT

Segment Rule: Mandatory. See 4.5 for UNT processing details.

5.12 Transfer RFP Advice

5.12.1 Function

The function of this message is to provide a copy of an RFP to a Transferee Exporter. This follows a request by an Owner EDI User acting on behalf of the Owner Exporter to transfer the RFP to another exporter.

The Transferee Exporter acts on the advice by either accepting or rejecting the transfer using the Accept RFP message, at which point EXDOC will advise the Transferee and Transferor Exporter of the acceptance or rejection via the Accept RFP Advice message.

5.12.2 Message

SANCRT, with RFP Reason 91 (Transfer Advice).

5.12.3 Processing

EXDOC extracts all information that is stored for the RFP on the EXDOC database for transmission in this type of message. The segments sent are defined in the Message/Segment Summary at Appendix B.

Processing of each specific segment is as defined in Reissue RFP.

5.13 Accept RFP

5.13.1 Function

The function of this message is to accept or reject a request for the transfer of an RFP from the current Owner Exporter to another exporter. The Transferee Exporter initiates the message following the decision on the transfer, at which point EXDOC will advise the Transferee and Transferor Exporter of the acceptance or rejection via the Accept RFP Advice message.

Invalid Accept RFP messages are acknowledged by the RFP Acknowledge message.

5.13.2 Message

SANCRRT, with RFP Reason 92 (Accept).

5.13.3 Processing

The following validation is performed by the EXDOC system on this type of message. Segments not listed are not required and not allowed.

5.13.3.1 Reason 92 (Accept Transfer): UNH

Segment Rule: Mandatory. See 4.4 for UNH processing details.

5.13.3.2 Reason 92 (Accept Transfer): GR0 BGM (Role – RFP Identification)

Segment Rule: Mandatory.

Data Item: *Name:* Commodity Type, *Element:* BGM C002/1001
Data Rule: Must equal the Commodity Type Code stored for the RFP on the EXDOC database.

Data Item: *Name:* Code List Responsible Agency, *Element:* BGM C002/3055
Data Rule: Must equal AQ

Data Item: *Name:* Priority, *Element:* BGM C002/1000
Data Rule: Must equal 9 (Normal).

Data Item: *Name:* RFP Number, *Element:* BGM 1004
Data Rule: The RFP Number must exist in EXDOC.

Data Item: *Name:* RFP Reason, *Element:* BGM 1225
Data Rule: Must equal 92 (Accept).

Data Item: *Name:* RFP Response Type, *Element:* BGM 4343
Data Rule: Is set to AP (Accepted) or RE (Rejected).

5.13.3.3 Reason 92 (Accept Transfer): GR0 RFF (Role – Exporter Reference)

Segment Rule: Mandatory.

Data Item: *Name:* Reference Qualifier, *Element:* RFF C506/1153
Data Rule: Must equal ABE (Declarant's Reference).

Data Item: *Name:* Exporter Reference, *Element:* RFF C506/1154
Data Rule: Free format text. Must be unique for the exporter.

Note: The new exporter can elect to retain the existing Exporter Reference Number, however it must be unique to the new exporter.

5.13.3.4 Reason 92 (Accept Transfer): GR2 PNA (Role – Owner Exporter Number)

Segment Rule: Mandatory.

Data Item: *Name:* Party Qualifier, *Element:* PNA 3035

Data Rule: Must equal EX (Exporter).

Data Item: *Name:* Owner Exporter Number, *Element:* PNA C206/7402

Data Rule: Must equal the Transferee Exporter Number stored for the RFP on the EXDOC database.

Note: In addition, the EDI User Identifier of the message must equal the Transferee EDI User Identifier. This identifier is derived from the Interchange Header.

5.13.3.5 Reason 92 (Accept Transfer): UNT

Segment Rule: Mandatory. See 4.5 for UNT processing details.

5.14 Accept RFP Advice

5.14.1 Function

The function of this message is to advise the Transferor Exporter and to confirm to the Transferee Exporter the result of a transfer request. This follows a decision by the Transferee Exporter on the request.

5.14.2 Message

SANCRRT, with RFP Reason 93 (Accept Advice).

5.14.3 Processing

EXDOC extracts status information that is stored for the RFP on the EXDOC database for transmission in this type of message. The segments sent are defined in the Message/Segment Summary at Appendix B.

The BGM is used to relay the decision on the transfer request and an STS to indicate the RFP is no longer in transfer, as defined below.

5.14.3.1 Reason 93 (Accept Transfer Advice): GR0 BGM (Role – RFP Identification)

Segment Rule: Mandatory.

Data Item: *Name:* Commodity Type, *Element:* BGM C002/1001
Data Rule: Is set to the Commodity Type Code stored for the RFP on the EXDOC database.

Data Item: *Name:* Code List Responsible Agency, *Element:* BGM C002/3055
Data Rule: Is set to AQ.

Data Item: *Name:* Priority, *Element:* BGM C002/1000
Data Rule: Is set to 9 (Normal).

Data Item: *Name:* RFP Number, *Element:* BGM 1004
Data Rule: Is set to value stored for this data element in EXDOC.

Data Item: *Name:* RFP Reason, *Element:* BGM 1225
Data Rule: Is set to 93 (Accept Advice).

Data Item: *Name:* RFP Response Type, *Element:* BGM 4343
Data Rule: Is set to AP (Accepted) or RE (Rejected).

5.14.3.2 Reason 93 (Accept Transfer Advice): GR0 DTM (Role – RFP Status Timestamp)

Segment Rule: Mandatory.

Data Item: *Name:* Date/time/period Qualifier, *Element:* DTM C507/2005
Data Rule: Is set to 9 (Processing Date/Time).

Data Item: *Name:* RFP Status Timestamp, *Element:* DTM C507/2380
Data Rule: Is set to the date and time the RFP was last processed.

Data Item: *Name:* Date/time/period Format Qualifier, *Element:* DTM C507/2379
Data Rule: Is set to 204 (ccyymmddhhmmss).

5.14.3.3 Reason 93 (Accept Transfer Advice): GR0 DTM (Role – RFP Lodgement Timestamp)

Segment Rule: Mandatory.

Data Item: *Name:* Date/time/period Qualifier, *Element:* DTM C507/2005

Data Rule: Is set to 137 (Document Date/Time).

Data Item: *Name:* RFP Lodgement Timestamp, *Element:* DTM C507/2380

Data Rule: Is set to the date and time the RFP was initially lodged, either via an Order or Lodge submission.

Data Item: *Name:* Date/time/period Format Qualifier, *Element:* DTM C507/2379

Data Rule: Is set to 204 (ccyymmddhhmmss).

5.14.3.4 Reason 93 (Accept Transfer Advice): GR0 DTM (Role – RFP Last Amend Timestamp)

Segment Rule: Mandatory.

Data Item: *Name:* Date/time/period Qualifier, *Element:* DTM C507/2005

Data Rule: Is set to 7 (Effective Date/Time).

Data Item: *Name:* RFP Last Amend Timestamp, *Element:* DTM C507/2380

Data Rule: Is set to the date and time the RFP was last amended on the EXDOC database.

Data Item: *Name:* Date/time/period Format Qualifier, *Element:* DTM C507/2379

Data Rule: Is set to 204 (ccyymmddhhmmss).

5.14.3.5 Reason 93 (Accept Transfer Advice): GR0 STS (Role – Compliance Status)

Segment Rule: Mandatory.

Data Item: *Name:* Status Type, *Element:* STS C601/9015

Data Rule: Is set to COM (RFP Compliance Status).

Data Item: *Name:* Code List Responsible Agency, *Element:* STS C601/3055

Data Rule: Is set to AQ.

Data Item: *Name:* Status Reason, *Element:* STS C556/9013

Data Rule: Is set to COM (RFP Compliance Status).

Data Item: *Name:* Code List Responsible Agency, *Element:* STS C556/3055

Data Rule: Is set to AQ.

Data Item: *Name:* Status Value, *Element:* STS C556/9012

Data Rule: Is set to an RFP Compliance Status Code (see Appendix E for valid code values).

5.14.3.6 Reason 93 (Accept Transfer Advice): GR0 STS (Role – Transfer Status)

Segment Rule: Mandatory.

Data Item: *Name:* Status Type, *Element:* STS C601/9015

Data Rule: Is set to TRN (Transfer Status).

Data Item: *Name: Code List Responsible Agency, Element: STS C601/3055*
Data Rule: Is set to AQ.

Data Item: *Name: Status Value, Element: STS C556/9013*
Data Rule: Is set to N (Not in Transfer).

Data Item: *Name: Code List Responsible Agency, Element: STS C556/3055*
Data Rule: Is set to AQ.

5.14.3.7 Reason 93 (Accept Transfer Advice): GR0 RFF (Role – Exporter Reference)

Segment Rule: Mandatory.

Data Item: *Name: Reference Qualifier, Element: RFF C506/1153*
Data Rule: Is set to ABE (Declarant's Reference)

Data Item: *Name: Exporter Reference, Element: RFF C506/1154*
Data Rule: Is set to the value stored for this data element in EXDOC.

5.14.3.8 Reason 93 (Accept Transfer Advice): GR0 FTX (Role – RFP Notice)

Segment Rule: Conditional. Is only present if errors or warnings are generated for the SANCRT message.

Data Item: *Name: Text Subject Qualifier, Element: FTX 4451*
Data Rule: Is set to AAO (Error Description)

Data Item: *Name: Notice, Element: FTX C108/4440*
Data Rule: Minimum 1 and maximum 2 repeats.
Data Rule: Is set to an error or warning message as described by Section 6.

5.14.3.9 Reason 93 (Accept Transfer Advice): GR2 PNA (Role – Owner Exporter Number)

Segment Rule: Mandatory.

Data Item: *Name: Party Qualifier, Element: PNA 3035*
Data Rule: Must equal EX (Exporter)

Data Item: *Name: Owner Exporter Number, Element: PNA C206/7402*
Data Rule: Must equal a current exporter number.

5.14.3.10 Reason 93 (Accept Transfer Advice): UNT

Segment Rule: Mandatory. See 4.5 for UNT processing details.

5.15 Certificate Request

5.15.1 Function

The function of this message is to allow an exporter to request a certificate that is sourced from one or more RFPs. Exporters will send this message specifying a separate line for each product containing product identification and quantity. A line in the Cert Request message consists of a combination of RFP lines. Each certificate line specified will become the line printed on the certificate. However, as part of the Cert Request, the RFP lines, which the Cert line is comprised of, must also be specified.

Once a certificate request is received, EXDOC will validate the certificate line items to ensure quantities specified can be appropriately supplied by the combination of RFP line item quantities nominated as the source for each certificate line.

An RFP must have a status of HCRD and a print indicator of "C" before an exporter can use it in a certificate request message. A forwarding of an RFP may occur as a result of a certificate request if the contents of the RFP have been exhausted.

Certificate request messages may not be amended. If a certificate request is lodged and accepted by the department then modifications to any certificate details cannot be made except by departmental staff.

If a certificate request is rejected then the exporter must send a new certificate request message with the updated details. EXDOC will not store any details regarding certificates once a request has been rejected.

Note: A certificate request may result in a forward of an RFP. This can occur because an RFP may be moved to a status of COMP if the certificate request consumes the remainder of the available lines on the RFP. At this point a deferred RFP Ack(11) message will be sent to the forwarder and a Forward RFP Advice (80) message will be sent to the forwardee.

5.15.2 Message

SANCRT, with Reason 9 (Certificate Request)

5.15.3 Processing

The following validation is performed by the EXDOC system on this type of message. Segments not listed are not required and not allowed.

5.15.3.1 Reason 9 (Cert Request): UNH

Segment Rule: Mandatory. See Section 4.4 for UNH processing details.

The only change to the UNH segment to what is listed in Section 4.4 is as follows:

UNH 0057 – Association Assigned Code

This data element is used to identify the version and release of the Exporter Interface System Specification to which messages conform. The code comprises a constant (CR) indicating the Certificate Request role of the message, and a version identifier and release identifier; each specified as 2 alphanumeric characters.

Processing / Incoming: Must equal 'CR0801' indicating Version 8 Release 1 of the Interface Specification.

Processing / Outgoing: Set to 'CR0801' indicating Version 8 Release 1 of the Interface Specification.

5.15.3.2 Reason 9 (Cert Request): GR0 BGM (Role – Certificate Identification)

Segment Rule: Mandatory.

Data Item: Name: Commodity Type, Element: BGM C002/1001

Data Rule: Can only be set to 'G' (Grains) or 'H' (Horticulture).

Data Item: Name: Code List Responsible Agency, Element: BGM C002/3055

Data Rule: Must equal AQ.

Data Item: Name: Certificate Request ID, Element: BGM C106/1004

Data Rule: Must be set to null.

Data Item: Name: Certificate Reason, Element: BGM 1225

Data Rule: Must equal 9 (Cert Request)

Data Item: Name: Certificate Response Type, Element: BGM 4343

Data Rule: Must be null.

5.15.3.3 Reason 9 (Cert. Request): GR0 LOC (Role – Discharge Port)

Segment Rule: Optional. Only a single Discharge Port is allowed.

Data Item: *Name:* Location Qualifier, *Element:* LOC 3227

Data Rule: Must equal 12 (Place/Port of Discharge).

Data Item: *Name:* Discharge Port, *Element:* LOC C517/3225

Data Rule: Must not be an Australian Port Code (see Appendix E for Australian Port Codes).

Data Rule: If Commodity Type is set to 'G' (Grains) or 'H' (Horticulture), must be valid for the selected transport mode (See UNLOCODE for valid transport mode of Discharge Port)

5.15.3.4 Reason 9 (Cert Request): GR0 LOC (Role – Destination City)

Segment Rule: Mandatory.

Data Item: *Name:* Location Qualifier, *Element:* LOC 3227

Data Rule: Must equal 8 (Place of Destination).

Data Item: *Name:* Destination City, *Element:* LOC C517/3225

Data Rule: Free format text.

5.15.3.5 Reason 9 (Cert. Request): GR0 LOC (Role – Certificate Required Location)

Segment Rule: Mandatory. A location must be specified for certificates issued via certificate request function.

Data Item: *Name:* Location Qualifier, *Element:* LOC 3227

Data Rule: Must equal 91 (Place of Document Issue).

Data Item: *Name:* Certificate Required Location, *Element:* LOC C517/3225

Data Rule: Must equal a Print Region Code (see Appendix E for Print Region Codes) or a registered EDI User Identifier.

5.15.3.6 Reason 9 (Cert Request): GR0 RFF (Role – Exporter Cert Reference)

Segment Rule: Mandatory.

Data Item: *Name:* Reference Qualifier, *Element:* RFF C506/1153
Data Rule: Must equal ABE (Declarant's Reference).

Data Item: *Name:* Exporter Certificate Reference, *Element:* RFF C506/1154
Data Rule: Free format text. Must be unique for the exporter.

5.15.3.7 Reason 9 (Cert Request): GR1 DOC (Role – Import Permit Number)

Segment Rule: Conditional. Must be provided if Import Permit details exists on any of the associated RFPs.

Segment Rule: Repeats allowed.

Data Item: *Name:* Document Name, *Element:* DOC C002/1001
Data Rule: Must equal 911 (Import Licence).

Data Item: *Name:* Import Permit Number, *Element:* DOC C503/1004
Data Rule: Free format text. Must be non-blank.
Data Rule: Import Permit Number must exist on one of the associated RFPs.

5.15.3.8 Reason 9 (Cert Request): GR1 DTM (Role – Import Permit Date)

Segment Rule: Optional.

Data Item: *Name:* Date/time/period Qualifier, *Element:* DTM C507/2005
Data Rule: Must equal 137 (Document Date).

Data Item: *Name:* Import Permit Date, *Element:* DTM C507/2380
Data Rule: Must equal a date of the prescribed format.

Data Item: *Name:* Date/time/period Format Qualifier, *Element:* DTM C507/2379
Data Rule: Is set to 102 (ccyymmdd).

5.15.3.9 Reason 9 (Cert. Request): GR2 PNA (Role – Owner Exporter Number)

Segment Rule: Mandatory.

Data Item: *Name:* Party Qualifier, *Element:* PNA 3035
Data Rule: Must equal EX (Exporter).

Data Item: *Name:* Owner Exporter Number, *Element:* PNA C206/7402
Data Rule: Must equal a current exporter number.

5.15.3.10 Reason 9 (Cert. Request): GR2 PNA (Role – Consignee Name)

Segment Rule: Mandatory. A single consignee is required for a certificate.

Data Item: *Name:* Party Qualifier, *Element:* PNA 3035
Data Rule: Must equal CN (Consignee).

Data Item: *Name:* Consignee Reference Number, *Element:* PNA C206/7402
Data Rule: Not allowed if Commodity Type is set to 'G' (Grains and Seeds) or 'H' (Horticulture).

Data Item: *Name:* Name Component Qualifier, *Element:* PNA C816/3405
Data Rule: Must equal 10 (Full Name).

Data Item: *Name: Consignee Name, Element: PNA C816/3398*
Data Rule: Free format text. Must be non-blank.
Data Rule: Must not equal 'TO ORDER'.

5.15.3.11 Reason 9 (Cert. Request): GR2 ADR (Role – Consignee Address)

Segment Rule: Optional. If present, at least one of the optional data elements must be present.

Data Item: *Name: Address Format, Element: ADR C090/3477*
Data Rule: Conditional. Must be present if Consignee Street is present.
Data Rule: Must be 5 (Unstructured Street Address).

Data Item: *Name: Consignee Street, Element: ADR C090/3286*
Data Rule: Optional.
Data Rule: Minimum 1 and maximum 2 repeats.
Data Rule: Free format text. Each repeat must be non-blank.

Data Item: *Name: Consignee City, Element: ADR 3164*
Data Rule: Optional.
Data Rule: For Customs purposes, "unknown" may be used here.
Data Rule: Free format text.

Data Item: *Name: Consignee Postcode, Element: ADR 3251*
Data Rule: Optional.
Data Rule: Free format text. Must be non-blank.

Data Item: *Name: Consignee Country, Element: ADR 3207*
Data Rule: Optional.
Data Rule: If present, must equal a Country Code (see Appendix E for Country Codes).

Data Item: *Name: Consignee State, Element: ADR C819/3228*
Data Rule: Optional.
Data Rule: Free format text. Must be non-blank.

5.15.3.12 Reason 9 (Cert. Request): GR2 FTX (Role – Consignee TRACES Approval ID)

Segment Rule: Conditional. Required if an electronic certificate is to be created for the EU TRACES import system. Otherwise, should not be supplied.

Data Item: *Name: Text Subject Qualifier, Element: FTX 4451*
Data Rule: Must be ZZZ (Mutually defined).

Data Item: *Name: Text function, coded, Element: FTX 4453*
Data Rule: Must equal 4 (No action required)

Data Item: *Name: Free text identification, Element: FTX C107/4441*
Data Rule: Must equal TRACESCONSIGNEEID

Data Item: *Name: Code list qualifier, Element: FTX C107/1131*
Data Rule: Must equal 160 (Party identifier)

Data Item: *Name:* Code list responsible agency, coded, *Element:* FTX C107/3055
Data Rule: Must equal AQ.

Data Item: *Name:* Consignee TRACES Approval ID, *Element:* FTX C108/4440
Data Rule: Minimum 1, maximum 2 repeats. Each repeat must be non-blank. Concatenated repeats must equal a valid EU TRACES Consignee Approval Number.

Data Item: *Name:* Language, coded, *Element:* FTX 3453
Data Rule: Must be blank.

5.15.3.13 Reason 9 (Cert. Request): GR3 CTA (Role – Consignee Contact Details)

Segment Rule: Optional.

Segment Rule: An owner Consignee Name must be present (GR2 PNA).

Data Item: *Name:* Contact Function, *Element:* CTA 3139
Data Rule: Must equal CN (Consignee).

5.15.3.14 Reason 9 (Cert. Request): GR3 COM (Role – Consignee Phone Number)

Segment Rule: Optional.

Segment Rule: An owner Consignee Contact Details must be present (GR3 CTA).

Data Item: *Name:* Consignee Phone Number, *Element:* COM C076/3148
Data Rule: Free format text. Must be non-blank.

Data Item: *Name:* Communication Number, *Element:* COM C076/3155
Data Rule: Must equal TE (Telephone).

5.15.3.15 Reason 9 (Cert. Request): GR3 CTA (Role – Consignee Representative Name)

Data Rule: Not allowed if Commodity Type is set to 'H' (Horticulture) or 'G' (Grains and Seeds).

Data Rule: Subject to above conditional. Must be present if required by the combination of product and destination.

Segment Rule: An owner Consignee Name must be present (GR2 PNA).

Data Item: *Name:* Party Qualifier, *Element:* CTA 3139
Data Rule: Must equal AG (Agent).

Data Item: *Name:* Consignee Representative Name, *Element:* CTA C056/3412
Data Rule: Free format text. Must be non-blank.

5.15.3.16 Reason 9 (Cert Request): GR4 TDT (Role – Transport Details)

Segment Rule: Optional.

Data Item: *Name:* Transport Stage Qualifier, *Element:* TDT 8051
Data Rule: Must equal 12 (At Departure).

Data Item: *Name:* Voyage/Flight Number, *Element:* TDT 8028
Data Rule: Optional if Commodity Type equals 'G' (Grain) and Transport Mode equals 1 (Maritime).

Data Rule: Subject to above, mandatory if Transport Mode equals 1 (Maritime) or 4 (Air), otherwise optional.

Data Rule: Subject to above, mandatory if Certificate is not required, otherwise optional but must be present before the Certificate can be produced.

Data Rule: Free format text. Must be non-blank.

Data Item: *Name:* Transport Mode, *Element:* TDT C220/8067

Data Rule: Must equal a Transport Mode (see Appendix E for Transport Mode Codes).

Data Item: *Name:* Shipping Company or Carrier Name, *Element:* TDT C040/3128

Data Rule: Conditional. Must be present if required by the combination of product and destination.

Data Rule: Subject to above, mandatory if Certificate is not required, otherwise optional but must be present before the Certificate can be produced.

Data Rule: Free format text. Must be non-blank.

Data Item: *Name:* Vessel Name, *Element:* TDT C222/8212

Data Rule: Conditional. Must be present if Transport Mode equals 1 (Maritime), otherwise optional.

Data Rule: Subject to above, mandatory if Certificate is not required, otherwise optional but must be present before the Certificate can be produced.

Data Rule: Free format text. Must be non-blank.

5.15.3.17 Reason 9 (Cert Request): GR4 DTM (Role – Departure Date)

Segment Rule: Conditional. Required if a Transport Details (TDT) segment is present.

Segment Rule: Subject to above, mandatory if Certificate is not required, otherwise optional but must be present before the Certificate can be produced.

Data Item: *Name:* Date/time/period Qualifier, *Element:* DTM C507/2005

Data Rule: Must equal 136 (Departure Date).

Data Item: *Name:* Departure Date, *Element:* DTM C507/2380

Data Rule: Must equal a date of the prescribed format.

Data Item: *Name:* Date/time/period Format Qualifier, *Element:* DTM C507/2379

Data Rule: Must equal 102 (ccyymmdd).

5.15.3.18 Reason 9 (Cert Request): GR11 LIN (Role – Line Identifier)

Segment Rule: Mandatory. At least one LIN must be present. Additional LIN segments are optional to a maximum of 99 lines per Certificate.

Data Item: *Name:* Line Number, *Element:* LIN 1082

Data Rule: Must start at 1, be ascending and contiguous.

5.15.3.19 Reason 9 (Cert Request): GR11 MEA (Role – Line Net Quantity)

Segment Rule: Mandatory.

Data Item: *Name:* Measure Application Qualifier, *Element:* MEA 6311

Data Rule: Must equal AAA (Line Item Measurement).

Data Item: *Name:* Measure Dimension Coded, *Element:* MEA C502/6313

Data Rule: Must equal SQ (Shipped Quantity).

Data Item: *Name: Net Unit, Element: MEA C174/6411*
 Data Rule: If Commodity Type equals 'M' (Meat), must equal a Metric Weight Unit, otherwise must equal a Measurement Unit (see Appendix E for Metric Weight and Measurement Unit Codes).

Data Item: *Name: Net Amount, Element: MEA C174/6314*
 Data Rule: Must be a numeric measurement value.

5.15.3.20 Reason 9 (Cert Request): GR11 PIA (Role – Product Code)

Segment Rule: Mandatory.

Data Item: *Name: Product Identification Function Qualifier, Element: PIA 4347*
 Data Rule: Must equal 5 (Product Identification).

Data Item: *Name: Product Code, Element: PIA C212/7140*
 Data Rule: Must equal an EXDOC Product Code (See Appendix E) valid for the Commodity Type defined by BGM.

Data Rule: Whilst not under the control of the Exporter System, Product Code will be validated by EXDOC to ensure the processing establishments were eligible to produce the product in the nominated period.

Data Item: *Name: Product Code Type, Element: PIA C212/7143*
 Data Rule: Must equal CC (Industry Commodity Code).

5.15.3.21 Reason 9 (Cert Request): GR11 IMD (Role – Exporter Defined Product Description)

Segment Rule: Conditional. Must only be present if allowed by the combination of product and destination.

Segment Rule: Subject to above, optional. If allowed but not present, Certificate Product Description is defaulted to the description generated by EXDOC.

Note: If allowed and present, the exporter supplied Certificate description overrides the description normally generated by EXDOC from the product code, packaging codes and measurements, additional product description, quality qualification, location qualification and label approval number. The product code, packaging codes and measurements are always required to verify eligibility of product for export. However, when an exporter description is supplied, the following non-coded components of product definition must not be supplied – additional product description, quality qualification, location qualification and label approval number. These components, if relevant to the export, are assumed to be included in the exporter supplied description.

Data Item: *Name: Item Description Identification, Element: IMD C273/7009*
 Data Rule: Must equal UHC (User Defined Certificate).

Data Item: *Name: Certificate Product Description, Element: IMD C273/7008*
 Data Rule: Free format text, must be non-blank.

5.15.3.22 Reason 9 (Cert Request): GR11 IMD (Role – Additional Product Description)

Segment Rule: Optional. Can be used to supply additional product description on a Certificate as required by a destination country.

Data Item: *Name: Item Description Identification, Element: IMD C273/7009*

Data Rule: Must equal AD (Additional).

Data Item: *Name:* Additional Product Description, *Element:* IMD C273/7008

Data Rule: Free format text, must be non-blank.

5.15.3.23 Reason 9 (Cert Request): GR12 DOC (Role – Extra Certificate)

Segment Rule: Optional. May only be supplied if Commodity Type is set to 'G' (Grains) or 'H' (Horticulture). Repeats are allowed.

Data Item: *Name:* Document Name, *Element:* DOC C002/1001

Data Rule: Must equal 852 (Sanitary Certificate).

Data Item: *Name:* Extra Certificate Template, *Element:* DOC C002/1000

Data Rule: Must equal a Certificate Template Code valid for the Commodity.

Data Item: *Name:* Document Status, *Element:* DOC C503/1373

Data Rule: Must equal 9 (To be printed).

5.15.3.24 Reason 9 (Cert Request): GR15 PAC (Role – Packaging Details)

Segment Rule: Mandatory. No repeats allowed.

Data Item: *Name:* Package Quantity, *Element:* PAC 7224

Data Rule: Must be zero or empty if Package Type = "VR", otherwise must be non-zero.

Data Item: *Name:* Packaging Level, *Element:* PAC C531/7075

Data Rule: Must equal 3 (Outer).

Data Item: *Name:* Package Type, *Element:* PAC C202/7065

Data Rule: Must equal a Package Type Code (see Appendix E for Package Type Codes).

Data Item: *Name:* Code List Responsible Agency, *Element:* PAC C202/3055

Data Rule: Must equal AQ.

5.15.3.25 Reason 9 (Cert Request): GR22 RFF (Role – RFP Number)

Segment Rule: Mandatory. One or more RFP Numbers representing the source of products may be supplied.

Segment Rule: All RFPs supplied must be at HCRD status.

Segment Rule: Subject to above, RFP Number must be unique for the Certificate Line.

Data Item: *Name:* Reference Qualifier, *Element:* RFF C506/1153

Data Rule: Must equal DM (Document Number).

Data Item: *Name:* RFP Number, *Element:* RFF C506/1154

Data Rule: Must equal a valid RFP Number.

5.15.3.26 Reason 9 (Cert Request): GR23 LIN (Role – RFP Line Number)

Segment Rule: Mandatory. At least one LIN segment must be present. Additional line segments are optional to a maximum of 99.

Segment Rule: An owner RFF (RFP Number) must be present.

Data Item: *Name:* RFP Line Number, *Element:* LIN 1082
Data Rule: Must match a line number stored in EXDOC for the owner RFP Number.

Data Item: *Name:* Sub-line Indicator, *Element:* LIN C829/5495
Data Rule: Must equal 1 (Sub-line information).

5.15.3.27 Reason 9 (Cert Request): GR23 MEA (Role – RFP Line Net Quantity)

Segment Rule: Mandatory. Must be a single quantity specified for each RFP line item being used as a source for the certificate.

Data Item: *Name:* Measure Application Qualifier, *Element:* MEA 6311
Data Rule: Must equal AAA (Line Item Measurement).

Data Item: *Name:* Measure Dimension Coded, *Element:* MEA C502/6313
Data Rule: Must equal SQ (Shipped Quantity).

Data Item: *Name:* Net Unit, *Element:* MEA C174/6411
Data Rule: Must equal a Measurement Unit (see Appendix E for Metric Weight and Measurement Unit Codes).

Data Item: *Name:* Net Amount, *Element:* MEA C174/6314
Data Rule: Must be a numeric measurement value.
Data Rule: Must be greater than zero.

5.15.3.28 Reason 9 (Cert Request): GR23 PAC (Role – RFP Line Packaging Details)

Segment Rule: Mandatory. No repeats allowed.

Data Item: *Name:* Package Quantity, *Element:* PAC 7224
Data Rule: Must be zero or empty if Package Type = "VR", otherwise must be non-zero.

Data Item: *Name:* Packaging Level, *Element:* PAC C531/7075
Data Rule: Must equal 3 (Outer).

Data Item: *Name:* Package Type, *Element:* PAC C202/7065
Data Rule: Must equal a Package Type Code (see Appendix E for Package Type Codes).

Data Item: *Name:* Code List Responsible Agency, *Element:* PAC C202/3055
Data Rule: Must equal AQ.

5.15.3.29 Reason 9 (Cert Request): GR24 EQD (Role – Container)

Segment Rule: Optional. Only present if product is containerised.

Segment Rule: Subject to above, the total number of containers per line and RFP is subject to the combination of product and destination.

Data Item: *Name:* Equipment Identifier, *Element:* EQD 8053
Data Rule: Must equal CN (Container).

Data Item: *Name:* Container Number, *Element:* EQD C237/8260
Data Rule: Must be non-blank with no embedded spaces.

5.15.3.x Reason 9 (Cert Request): GR25 SEL (Role – Container Seal)

Segment Rule: Conditional. May only be supplied if commodity type is 'H' (Horticulture).

Segment Rule: Subject to above, optional. Only present if a seal is applied to the container.

Data Item: *Name:* Seal Number, *Element:* SEL 9308

Data Rule: Free format text. Must be non-blank

5.15.3.30 Reason 9 (Cert Request): UNT

Segment Rule: Mandatory. See 4.5 for UNT processing details.

5.16 Certificate Acknowledgment

5.16.1 Function

The function of this message is to acknowledge the lodgement of a Certificate Request in the EXDOC system, or to reject invalid requests. The acknowledgment includes data items generated by EXDOC during processing of the exporter certificate message, together with any relevant errors and warnings.

5.16.2 Message

SANCRT, with RFP Reason 98 (Certificate Acknowledgment).

5.16.3 Processing

EXDOC supplies the following information in this type of message.

5.16.3.1 Reason 98 (Cert Ack): UNH

Segment Rule: Mandatory. See 5.15.3.1 for UNH processing details.

5.16.3.2 Reason 98 (Cert Ack): GR0 BGM (Role – Certificate Identification)

Segment Rule: Mandatory.

Data Item: *Name:* Commodity Type, *Element:* BGM C002/1001
 Data Rule: Conditional.
 Data Rule: If Certificate exists, is set to the Commodity Type Code stored for the Certificate on the EXDOC database.
 Data Rule: If Certificate does not exist, is set to null.

Data Item: *Name:* Code List Responsible Agency, *Element:* BGM C002/3055
 Data Rule: Is set to AQ.

Data Item: *Name:* Priority, *Element:* BGM C002/1000
 Data Rule: Is set to 9 (Normal).

Data Item: *Name:* Certificate Request ID, *Element:* BGM C106/1004
 Data Rule: Conditional.
 Data Rule: If Certificate created but not yet printed, is set to a Certificate Request Id.
 Data Rule: If Certificate does not exist, is set to null.

Data Item: *Name:* Certificate Reason, *Element:* BGM 1225
 Data Rule: Is set to 98 (Certificate Acknowledge).

Data Item: *Name:* Certificate Response Type, *Element:* BGM 4343
 Data Rule: Is set to AP (Accepted) or RE (Rejected).

5.16.3.3 Reason 98 (Cert Ack): GR0 DTM (Role – Certificate Status Timestamp)

Segment Rule: Conditional. Is not present if the acknowledgment is in response to a failed message or the Certificate does not exist.

Data Item: *Name:* Date/time/period Qualifier, *Element:* DTM C507/2005
 Data Rule: Is set to 9 (Processing Date/Time).

Data Item: *Name:* Certificate Status Timestamp, *Element:* DTM C507/2380

Data Rule: Is set to the date and time the Certificate was last processed.

Data Item: *Name: Date/time/period Format Qualifier, Element: DTM C507/2379*
Data Rule: Is set to 204 (ccyymmddhhmmss).

5.16.3.4 Reason 98 (Cert Ack): GR0 DTM (Role – Certificate Requested Timestamp)

Segment Rule: Conditional. Is not present if the acknowledgment is in response to a failed message or the Certificate does not exist.

Data Item: *Name: Date/time/period Qualifier, Element: DTM C507/2005*
Data Rule: Is set to 137 (Document Date/Time).

Data Item: *Name: Certificate Requested Timestamp, Element: DTM C507/2380*
Data Rule: Is set to the date and time the Certificate was initially requested.

Data Item: *Name: Date/time/period Format Qualifier, Element: DTM C507/2379*
Data Rule: Is set to 204 (ccyymmddhhmmss).

5.16.3.5 Reason 98 (Cert Ack): GR0 STS (Role – Certificate Request Status)

Segment Rule: Conditional. Is not present if the acknowledgment is in response to a failed Certificate Request message.

Data Item: *Name: Status Type, Element: STS C601/9015*
Data Rule: Is set to CRS (Certificate Request Status).

Data Item: *Name: Code List Responsible Agency, Element: STS C601/3055*
Data Rule: Is set to AQ.

Data Item: *Name: Status Reason, Element: STS C556/9013*
Data Rule: Is set to CRS (Certificate Request Status).

Data Item: *Name: Code List Responsible Agency, Element: STS C556/3055*
Data Rule: Is set to AQ.

Data Item: *Name: Status Value, Element: STS C556/9012*
Data Rule: Is set the value stored for this data element in EXDOC.

5.16.3.6 Reason 98 (Cert Ack): GR0 RFF (Role – Exporter Cert Reference)

Segment Rule: Mandatory.

Data Item: *Name: Reference Qualifier, Element: RFF C506/1153*
Data Rule: Is set to ABE (Declarant's Reference).

Data Item: *Name: Exporter Certificate Reference, Element: RFF C506/1154*
Data Rule: Is set to the value stored for this data element in EXDOC.

5.16.3.7 Reason 98 (Cert Ack): GR0 FTX (Role – Notice)

Segment Rule: Conditional. Is only present if error, warning or information notices are generated for the Certificate Request message.

Data Item: *Name: Text Subject Qualifier, Element: FTX 4451*
Data Rule: Is set to AAO (Error Description).

Data Item: *Name:* Notice, *Element:* FTX C108/4440
Data Rule: Minimum 1 and maximum 2 repeats.
Data Rule: Is set to an error or warning message as described in Section 6.

5.16.3.8 Reason 98 (Cert. Ack): GR2 PNA (Role – Owner Exporter Number)

Segment Rule: Conditional. Is not present if acknowledgment is in response to a failed message.
Segment Rule: Subject to above, mandatory.

Data Item: *Name:* Party Qualifier, *Element:* PNA 3035
Data Rule: Is set to EX (Exporter).

Data Item: *Name:* Owner Exporter Number, *Element:* PNA C206/7402
Data Rule: Is set to the value stored for this data element in EXDOC.

5.16.3.9 Reason 98 (Cert Ack): GR11 LIN (Role – Certificate Line Identifier)

Segment Rule: Conditional. Is only present if stored on the EXDOC database.

Data Item: *Name:* Line Number, *Element:* LIN 1082
Data Rule: Is set to the number of the line (certificate line number) on the EXDOC database.

5.16.3.10 Reason 98 (Cert Ack): GR11 PIA (Role – Product Code)

Segment Rule: Conditional. Is not present if the acknowledgment is in response to a failed message.

Data Item: *Name:* Product Identification Function Qualifier, *Element:* PIA 4347
Data Rule: Is set to 5 (Product Identification).

Data Item: *Name:* Product Code, *Element:* PIA C212/7140
Data Rule: Is set to the value stored for this data element in EXDOC.

Data Item: *Name:* Product Code Type, *Element:* PIA C212/7143
Data Rule: Is set to CC (Industry Commodity Code).

5.16.3.11 Reason 98 (Cert Ack): GR11 IMD (Role – Generated Product Description)

Segment Rule: Conditional. Is only present if stored on the EXDOC database.
Note: The segment is not sent if the product description is exporter supplied.

Data Item: *Name:* Item Description Identification, *Element:* IMD C273/7009
Data Rule: Is set to GHCn (System Generated Certificate), where 'n' is 1 for the first segment holding description text, 2 for an additional segment if required.

Data Item: *Name:* Certificate Product Description, *Element:* IMD C273/7008
Data Rule: Is set with up to the first 175 characters stored for this data element in EXDOC. If system generated and the product description is over 175 characters, an additional IMD is sent with the remaining characters.

5.16.3.12 Reason 98 (Cert Ack): GR12 DOC (Role – Extra Certificate)

Segment Rule: Conditional. Is only present if stored on the EXDOC database.

Data Item: *Name: Document Name, Element: DOC C002/1001*
Data Rule: Is set to 852 (Sanitary Certificate).

Data Item: *Name: Extra Certificate Template, Element: DOC C002/1000*
Data Rule: Is set to the value stored for this data element in EXDOC.

Data Item: *Name: Document Status, Element: DOC C503/1373*
Data Rule: Is set to 9 (To be printed).

5.16.3.13 Reason 98 (Cert Ack): GR12 DOC (Role – Assigned Primary Certificate)

Segment Rule: Conditional. Is not present if the acknowledgment is in response to a failed message or the certificate does not exist.

Data Item: *Name: Document Name, Element: DOC C002/1001*
Data Rule: Is set to 852 (Primary Sanitary Certificate)

Data Item: *Name: Certificate Template & Endorsement, Element: DOC C002/1000*
Data Rule: Is set to an assigned Certificate Template & Endorsement Code.

Data Item: *Name: Certificate Number, Element: DOC C503/1004*
Data Rule: Is set to an assigned Certificate Number.

Data Item: *Name: Document Status, Element: DOC C503/1373*
Data Rule: Is set to 1 (Accepted).

5.16.3.14 Reason 98 (Cert Ack): GR12 DOC (Role – Assigned Secondary Certificate)

Segment Rule: Conditional. Where secondary Certificates are assigned, the segment is repeated for each secondary certificate.

Data Item: *Name: Document Name, Element: DOC C002/1001*
Data Rule: Is set to 3 (Associated Sanitary Certificate)

Data Item: *Name: Certificate Template & Endorsement, Element: DOC C002/1000*
Data Rule: Is set to an assigned Certificate Template & Endorsement Code.

Data Item: *Name: Certificate Number, Element: DOC C503/1004*
Data Rule: Is set to an assigned Certificate Number.

Data Item: *Name: Document Status, Element: DOC C503/1373*
Data Rule: Is set to 1 (Accepted).

5.16.3.15 Reason 98 (Cert Ack): UNT

Segment Rule: Mandatory. See 4.5 for UNT processing details.

5.17 Remote Print Acknowledgment

5.17.1 Function

The function of this message is to acknowledge the receipt of remote print files from the EXDOC system. The acknowledgment should contain the message identification number that was received by the exporter as part of the transmission of the remote print file. The remote print file contains a binary print file consisting of a certificate relating to one or more RFPs for the exporter.

5.17.2 Message

SANCRT, with RFP Reason 99 (Remote Print Ack).

5.17.3 Processing

The following validation is performed by the EXDOC system on this type of message. Segments not listed are not required and not allowed.

5.17.3.1 Reason 99 (Remote Print Ack): UNH

Segment Rule: Mandatory. See 4.4 for UNH processing details.

5.17.3.2 Reason 99 (Remote Print Ack): GR0 BGM (Role – Remote Print Identification)

Segment Rule: Mandatory.

Data Item: *Name:* Edi Message Id, *Element:* BGM 1004

Data Rule: Must contain the Edi Message Id received in Remote Print message.

Data Item: *Name:* Reason, *Element:* BGM 1225

Data Rule: Must equal 99 (Transfer).

5.17.3.3 Reason 99 (Remote Print Ack): UNT

Segment Rule: Mandatory. See 4.5 for UNT processing details.

6 Notices

Errors, warnings and information messages issued by EXDOC will be notified to the user in acknowledgment and advice messages in the form of notices. Each notice is formatted into a header group FTX segment as follows:

FTX 4451 Text Subject Qualifier

- set to AAO (Error Description);

FTX 4453 Text function

- Blank (filler);

FTX C107 Text reference

- Blank (filler);

FTX C108/4440

- a single text string containing up to 70 characters of notice information. If the information exceeds 70 characters, a second and third if required, 4440 is used.

The first 4440 data element has the following format:

Line Number	an3	A 2 digit line number containing the data item which is the subject of the notice, prefixed by 'L'. L00 indicates the message relates to the Header (either RFP or Certificate).
Filler Character	a1	Blank.
Notice Code	an5	A 4 digit code identifying the notice, prefixed by 'E' if Error, 'W' if Warning, 'I' if Information or 'C' if a Customs error or warning. (The department reserves the right to allocate new codes, delete codes, or alter the meaning of codes from time to time without prior notification to Exporter System developers or users.)
Filler Character	a1	Blank.
Notice Description	an60	A description of the error, warning or information message issued.

The second and third 4440 data elements, if required, have the following format:

Notice Description	an70	The remainder of a description of the error, warning or information message issued, to a total of 200 characters.
--------------------	------	---

Example notices (illustrating format, not necessarily actual text) are:

L00 W0020 Consignee Name must be present before Certificates can be produced.

L02 E0123 Packer Establishment not registered to perform process for intended destination during nominated period.

Some errors may not trigger an error message from EXDOC.

Appendix A: SANCRT Adaptation & Data Item Mapping

EXDOC (RFP) Adaptation of SANCRT

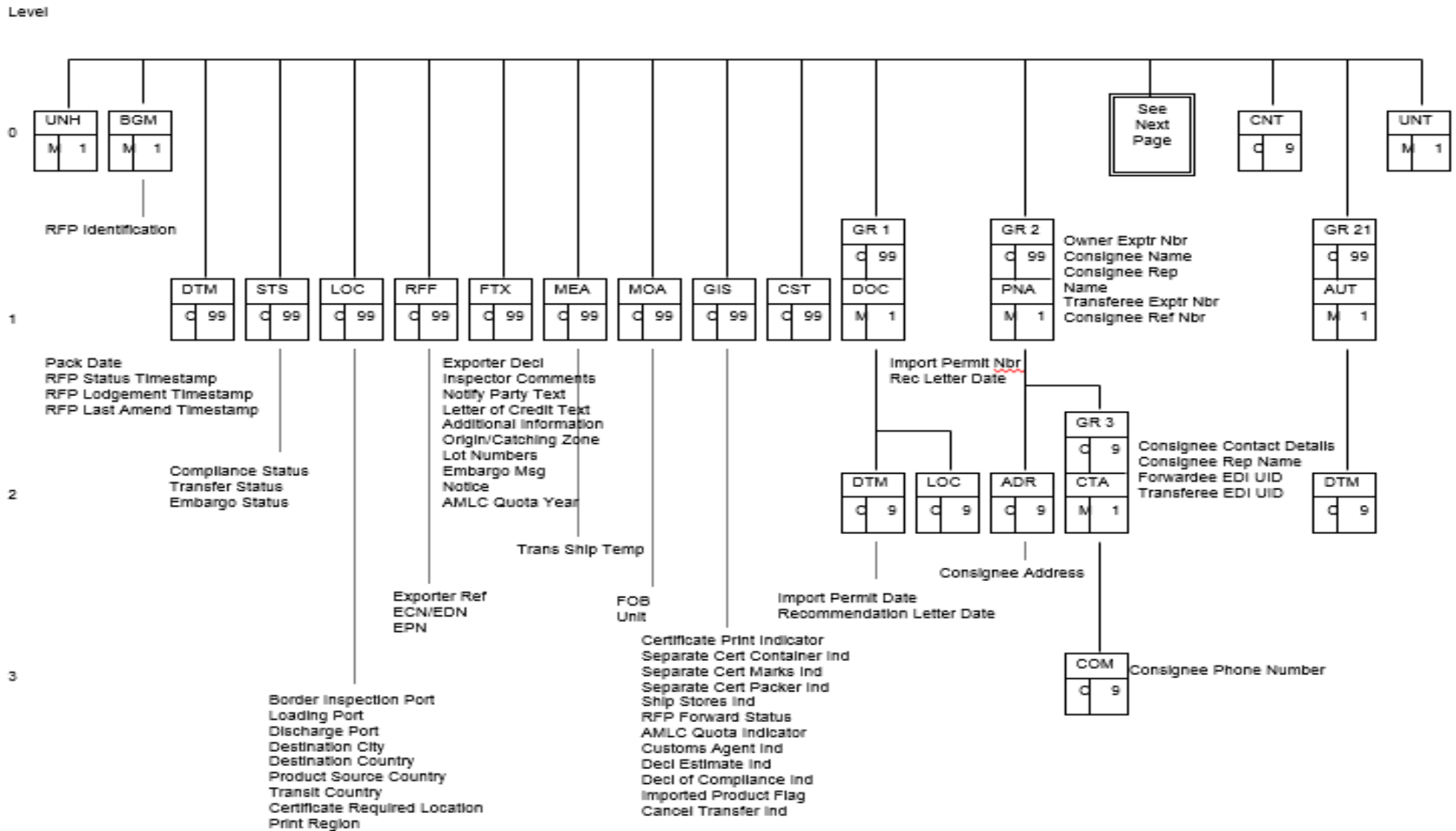


Figure 6 - EXDOC (RFP) Adaptation of SANCRT – Part 1

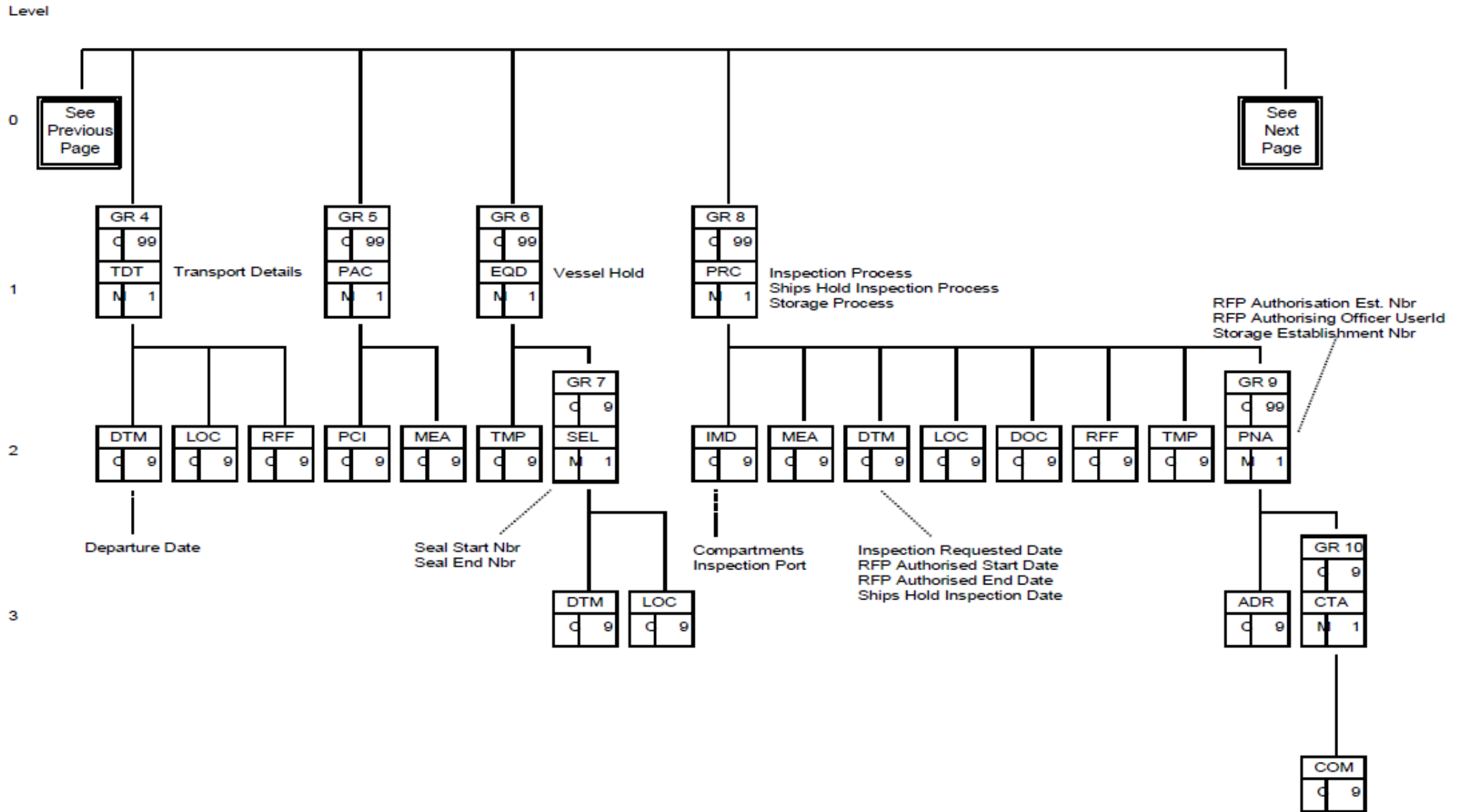


Figure 7 - EXDOC (RFP) Adaptation of SANCRT – Part 2

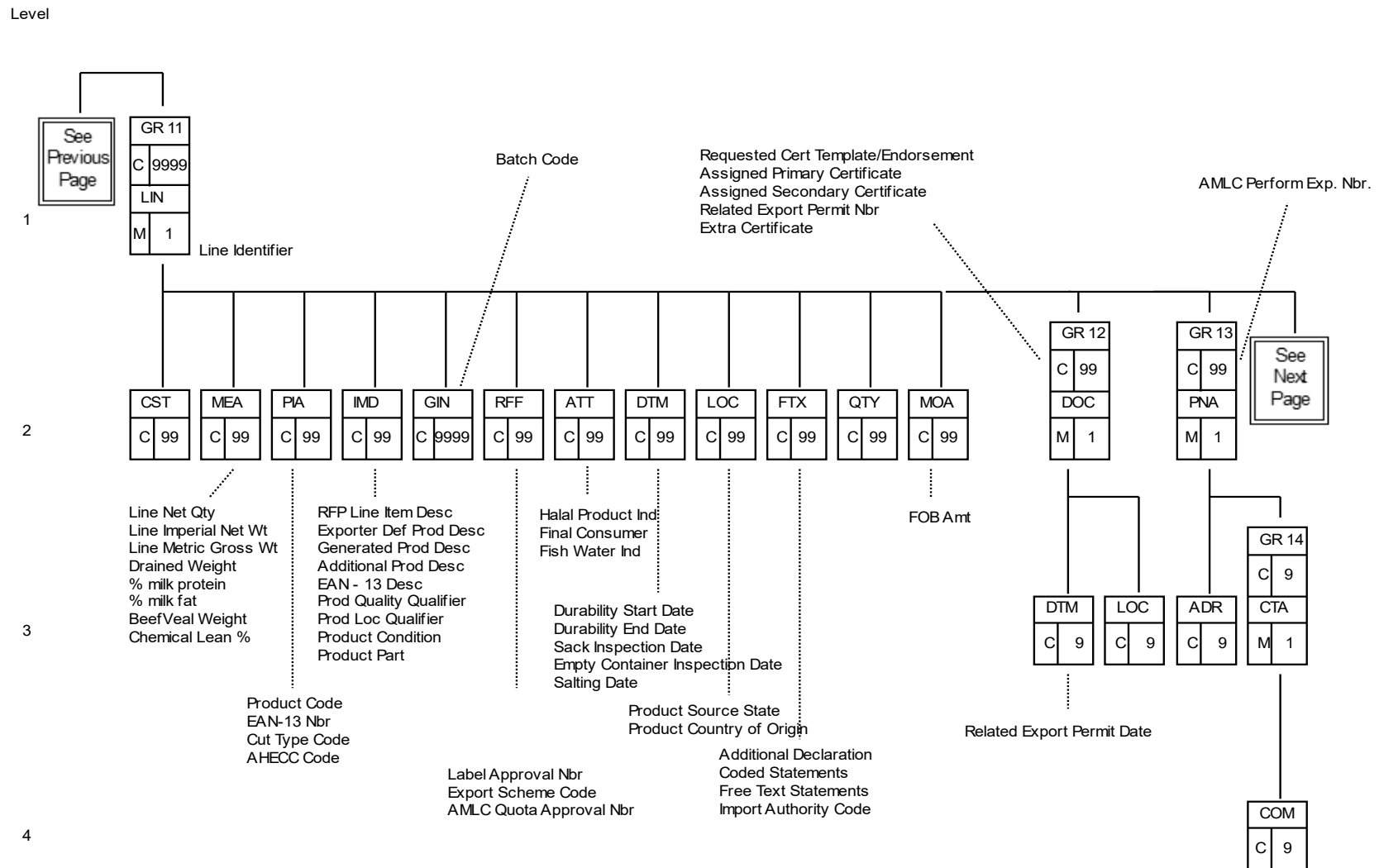


Figure 8 - EXDOC (RFP) Adaptation of SANCRT – Part 3

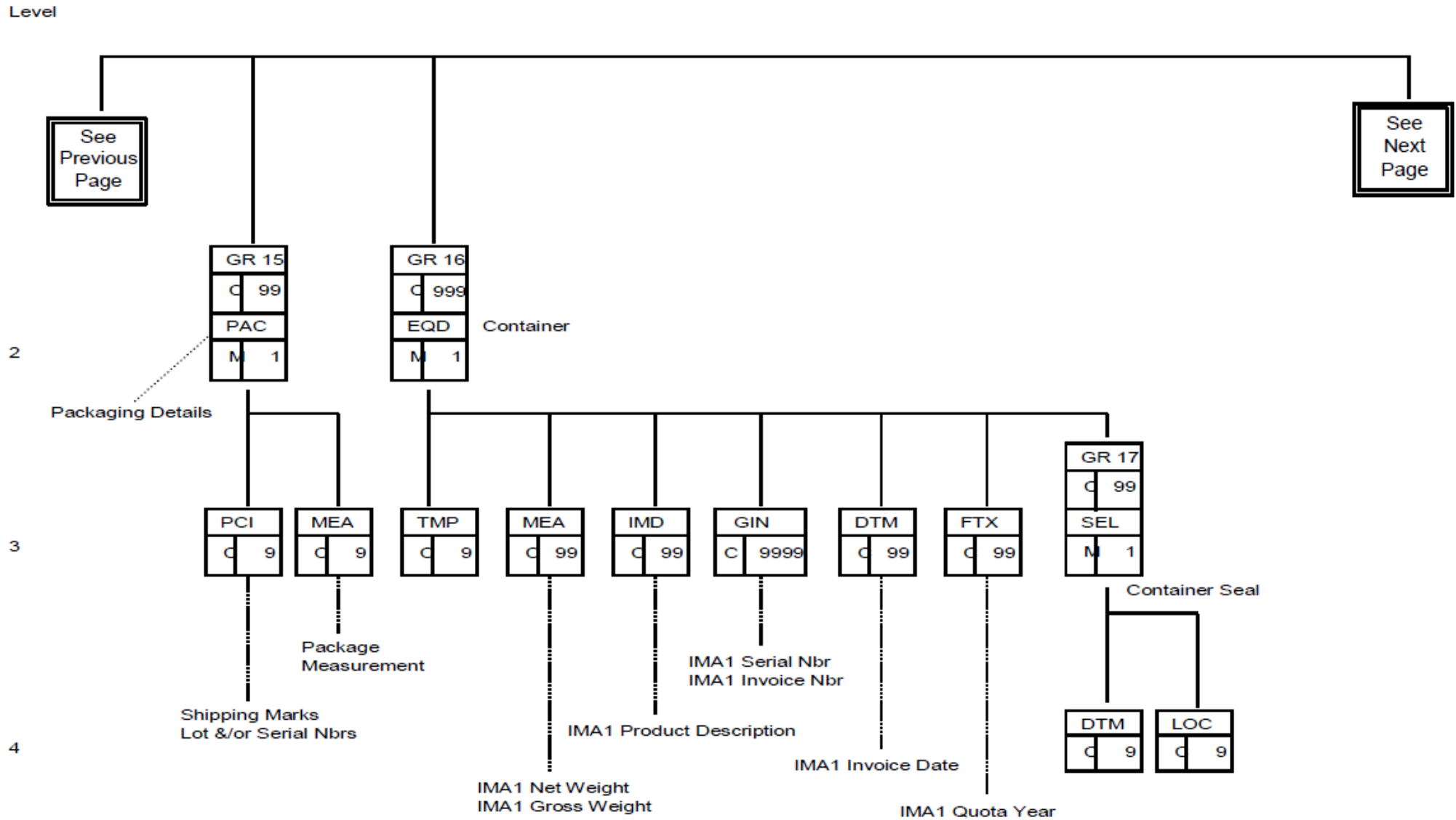


Figure 9 - EXDOC (RFP) Adaptation of SANCRT – Part 4

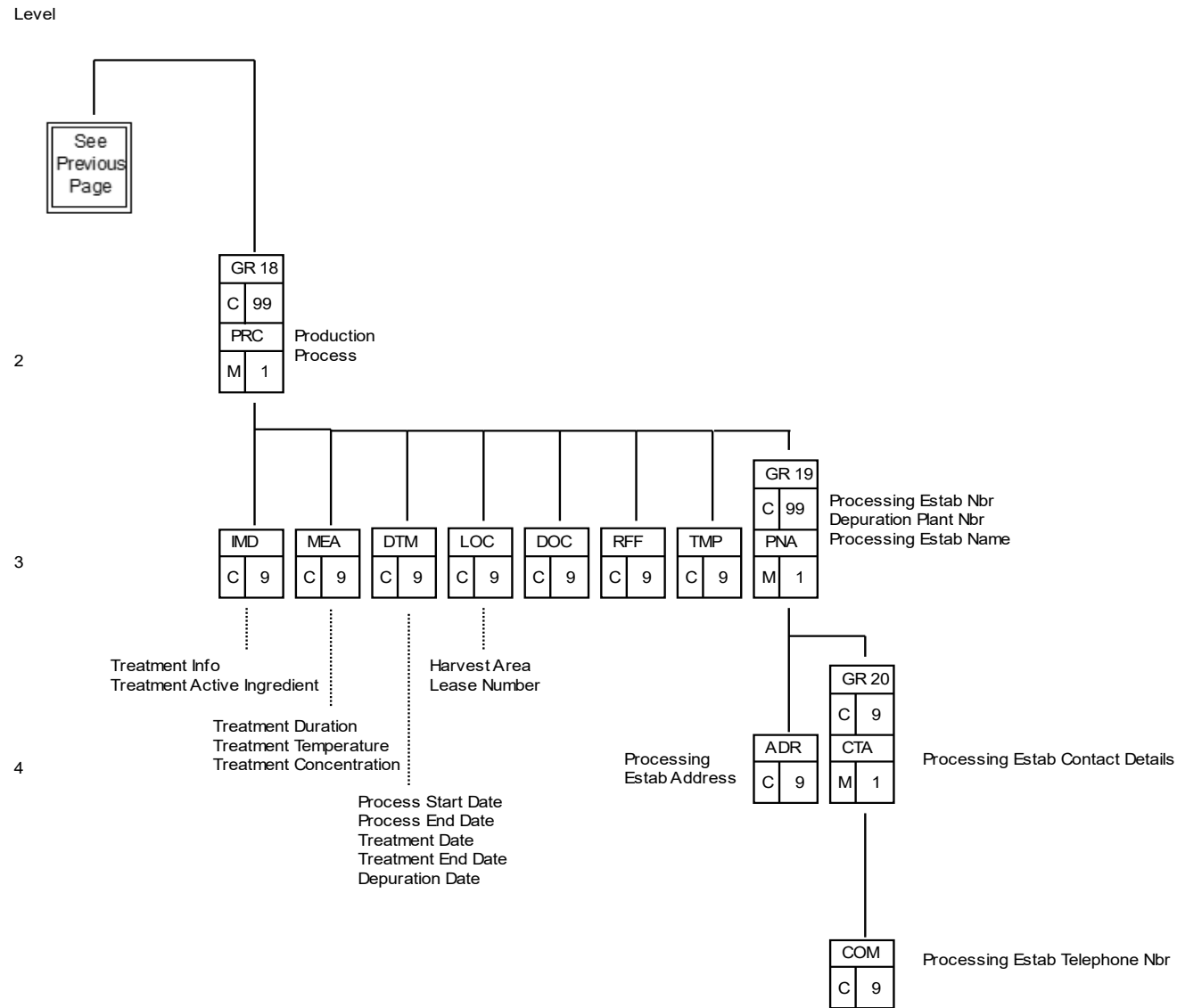


Figure 10 - EXDOC (RFP) Adaptation of SANCRT – Part 5

RFP Data Item Mapping

Data Item			Group	Seg	Element	Description	Value/Comment
		RFP Header					
RFP Identification			HDR GR0	BGM	C002/1001	Commodity Type	e.g. M=Meat, G=Grains
				BGM	C002/1131	Code list qualifier	Filler (must be blank)
				BGM	C002/3055	Code list responsible agency, coded	AQ
				BGM	C002/1000	Priority	9 (Normal), 0(High)
				BGM	C106/1004	RFP number	Value
				BGM	1225	RFP reason	e.g. 13 (Lodge), 4 (Amend), 11 (Update Ack)
				BGM	4343	RFP response type	AP (Accepted), RE (Rejected)
Pack Date			HDR GR0	DTM	C507/2005	Date/time/period qualifier	365 (Packaging Date)
					C507/2380	Pack date	Value, date of prescribed format
					C507/2379	Date/time/period format qualifier	102 (CCYYMMDD)
RFP Status Timestamp			HDR GR0	DTM	C507/2005	Date/time/period qualifier	9 (Processing Date/Time)
				DTM	C507/2380	Date/time/period	Value, date of prescribed format
				DTM	C507/2379	Date/time/period format qualifier	204 (CCYYMMDDHHMMSS)
RFP Lodgement Timestamp			HDR GR0	DTM	C507/2005	Date/time/period qualifier	137 (Document Date/Time)
				DTM	C507/2380	Date/time/period	Value, date of prescribed format
				DTM	C507/2379	Date/time/period format qualifier	204 (CCYYMMDDHHMMSS)
RFP Last Amend Timestamp			HDR GR0	DTM	C507/2005	Date/time/period qualifier	7 (Effective Date/Time)
				DTM	C507/2380	Date/time/period	Value, date of prescribed format
				DTM	C507/2379	Date/time/period format qualifier	204 (CCYYMMDDHHMMSS)
RFP Compliance Status			HDR GR0	STS	C601/9015	Status type, coded	COM (Compliance Status)
				STS	C601/1131	Code list qualifier	Filler (must be blank).
				STS	C601/3055	Code list responsible agency, coded	AQ
				STS	C555	Status Event	Filler (must be blank)
				STS	C556/9013	Status reason, coded	COM (Compliance Status)
				STS	C556/1131	Code list qualifier	Filler (must be blank)
				STS	C556/3055	Code list responsible agency, coded	AQ

Version 9.9

Data Item			Group	Seg	Element	Description	Value/Comment
				STS	C556/9012	Status reason	e.g. ORDR, INIT, INSP, HCRD, COMP
RFP Transfer Status			HDR GR0	STS	C601/9015	Status type, coded	TRN (Transfer Status)
				STS	C601/1131	Code list qualifier	Filler (must be blank).
Processing Establishment Number				STS	C601/3055	Code list responsible agency, coded	AQ
				STS	C555	Status Event	Filler (must be blank)
				STS	C556/9013	Status reason, coded	Y or N
				STS	C556/1131	Code list qualifier	Filler (must be blank)
				STS	C556/3055	Code list responsible agency, coded	AQ
Embargo Status			HDR GR0	STS	C601/9015	Status type, coded	EMB (Embargo Status)
				STS	C601/1131	Code list qualifier	Filler (must be blank).
				STS	C601/3055	Code list responsible agency, coded	AQ
				STS	C555	Status Event	Filler (must be blank)
				STS	C556/9013	Status reason, coded	Values defined by ACS (EMCD, EEIN segments)
				STS	C556/1131	Code list qualifier	Filler (must be blank)
				STS	C556/3055	Code list responsible agency, coded	95 (Australian Customs)
Border Inspection Port			HDR GR0	LOC	3227	Place/location qualifier	43 (Place/port of Inspection)
				LOC	C517/3225	Place/location identification	LOCODE (ccppp)
Loading Port			HDR GR0	LOC	3227	Place/location qualifier	9 (Place/port of Loading)
				LOC	C517/3225	Place/location identification	LOCODE (ppp)
Discharge Port			HDR GR0	LOC	3227	Place/location qualifier	12 (Place/port of Discharge)
				LOC	C517/3225	Place/location identification	LOCODE (ccppp)
Destination City			HDR GR0	LOC	3227	Place/location qualifier	8 (Place of Destination)
				LOC	C517/3225	Place/location identification	Free format text value
Destination Country			HDR GR0	LOC	3227	Place/location qualifier	36 (Country of Ultimate Destination)
				LOC	C517/3225	Place/location identification	LOCODE (cc)
Product Source Country			HDR GR0	LOC	3227	Place/location qualifier	30 (Country of Production)
				LOC	C517/3225	Place/location identification	LOCODE (cc)

Version 9.9

Data Item			Group	Seg	Element	Description	Value/Comment
Transit Country			HDR GR0	LOC	3227	Place/location qualifier	49 (Country of Transit)
					C517/3225	Place/location identification	LOCODE (cc)
Certificate Required Location			HDR GR0	LOC	3227	Place/location qualifier	91 (Place of Document Issue)
				LOC	C517/3225	Place/location identification	LOCODE of city associated with HC ptrs (ppp) OR a registered EDI User Identifier
Print Region			HDR GR0	LOC	3227	Place/location qualifier	48 (Region of Production)
				LOC	C517/3225	Place/location identification	Must equal a Print Region Code (see Appendix E for Print Region Codes)
Exporter Reference			HDR GR0	RFF	C506/1153	Reference qualifier	ABE (Declarant's Reference)
				RFF	C506/1154	Reference number	Value
EPN			HDR GR0	RFF	C506/1153	Reference qualifier	EP (Export Permit Number)
				RFF	C506/1154	Reference number	Value
ECN/EDN			HDR GR0	RFF	C506/1153	Reference qualifier	AAE (Goods Declaration Number)
				RFF	C506/1154	Reference number	Value
Exporter Declaration			HDR GR0	FTX	4451	Text subject qualifier	DCL (Declaration)
				FTX	4453	Text function	Filler (must be blank)
				FTX	C107	Text Reference	Filler (must be blank)
				FTX	C108/4440	Exporter Declaration	Free format text value (locally restricted to 3 repeats)
Inspector Comments			HDR GR0	FTX	4451	Text subject qualifier	AAY (Certification Statements)
					4453	Text Function, Coded	Filler (must be blank)
					C107	Text Reference	Filler (must be blank)
					C108/4440	Inspector comments	Free format text value (non-blank) (1-3 repeats)
Notify Party			HDR GR0	FTX	4451	Text subject qualifier	AAG (Notify Party)
					4453	Text Function, Coded	Filler (must be blank)
					C107	Text Reference	Filler (must be blank)

Version 9.9

Data Item			Group	Seg	Element	Description	Value/Comment
					C108/4440	Notify Party Text	Free format text value (1-5 repeats)
Letter of Credit			HDR GR0	FTX	4451	Text subject qualifier	AAW (Letter of Credit)
					4453	Text Function, Coded	Filler (must be blank)
					C107	Text Reference	Filler (must be blank)
					C108/4440	Letter of Credit Text	Free format text value (1-5 repeats)
Additional Information			HDR GR0	FTX	4451	Text subject qualifier	ACB (Additional Information)
					4453	Text Function, Coded	Filler (must be blank)
					C107	Text Reference	Filler (must be blank)
					C108/4440	Additional Information Text	Free format text value (1-5 repeats)
Origin/Catching Zone			HDR GR0	FTX	4451	Text subject qualifier	OCZ (Origin/Catching Zone)
					4453	Text Function, Coded	Filler (must be blank)
					C107	Text Reference	Filler (must be blank)
					C108/4440	Origin/Catching Zone Text	Free format text value (1-3 repeats)
Lot Number			HDR GR0	FTX	4451	Text Subject Qualifier	MKS (Additional marks/numbers information)
					4453	Text Function	Filler (must be blank)
					C107	Text Reference	Filler (must be blank)
					C108/4440	Lot Number Text	Free format text value (no repeats)
Amended Information			HDR GR0	FTX	4451	Text Subject Qualifier	CHG (Change Information)
					4453	Text Function	Filler (must be blank)
					C107	Text Reference	Filler (must be blank)
					C108/4440	Amended Information Text	Free format text value (non-blank)(8 repeats allowed)
Embargo Message			HDR GR0	FTX	4451	Text subject qualifier	CCI (Customs Clearance Instructions)
				FTX	4453	Text function	Filler (must be blank)
				FTX	C107	Text Reference	Filler (must be blank)
				FTX	C108/4440	Embargo Message	Free format text value (locally restricted to 2 repeats)

Version 9.9

Data Item			Group	Seg	Element	Description	Value/Comment
RFP Notice			HDR GR0	FTX	4451	Text subject qualifier	AAO (Error Description)
				FTX	4453	Text function	Filler (must be blank)
				FTX	C107	Text Reference	Filler (must be blank)
				FTX	C108/4440	RFP Notice	Free format text value (locally restricted to 3 repeats)
Average Age of Animals			HDR GR0	FTX	4451	Text Subject Qualifier	ACF (Additional attribute information).
					4453	Text Function	Filler (must be blank)
					C107	Text Reference	Filler (must be blank)
					C108/4440	Average Age of Animals Text	Free format text value (non-blank)(1 repeat allowed)
AMLC Quota Year			HDR GR0	FTX	4451	Text subject qualifier	ABW
					4453	Text Function, Coded	Filler (must be blank)
					C107	Text Reference	Filler (must be blank)
					C108/4440	AMLC Quota Year	Free format text value (no repeats) 4 or 7 characters long. Value is one of the following: current year, current year + 1, current year -1 to current year, current year to current year +1, current year +1 to current year +2. The format must be 'CCYY' or 'CCYY-YY'
Quota Type			HDR GR0	FTX	4451	Text subject qualifier	QUT
					4453	Text Function, Coded	Filler (must be blank)
					C107	Text Reference	Filler (must be blank)
					C108/4440	Quota Type	Free format text value (no repeats)
Transshipment Storage Temperature			HDR GR0	MEA	6311	Measurement application qualifier	TE (Temperature)
				MEA	C502/6313	Measurement dimension, coded	ADE (Shipping Tolerance)
				MEA	C174/6411	Measure unit qualifier	e.g. CEL, FAH (Recommendation 20)
				MEA	C174/6314	Measurement value	Value
				MEA	C174/6162	Range Minimum	Minimum Transshipment Storage Temperature

Version 9.9

Data Item			Group	Seg	Element	Description	Value/Comment
				MEA	C174/6152	Range Maximum	Maximum Transshipment Storage Temperature
FOB Currency Unit			HDR GR0	MOA	C516/5025	Monetary amount type qualifier	63 (FOB Value)
				MOA	C516/5004	Monetary amount	Filler (must be blank)
				MOA	C516/6345	Currency, coded	Value
Certificate Print Indicator			HDR GR0	GIS	C529/7365	Processing indicator, coded	Codes for Manual, Automatic, Not Required
				GIS	C529/1131	Code list qualifier	Filler (must be blank)
				GIS	C529/3055	Code list responsible agency, coded	AQ
				GIS	C529/7187	Process type identification	Local code PHC (Produce Certificate)
Separate Certificate Container Indicator			HDR GR0	GIS	C529/7365	Processing indicator, coded	Y or N
				GIS	C529/1131	Code list qualifier	Filler (must be blank)
				GIS	C529/3055	Code list responsible agency, coded	AQ
				GIS	C529/7187	Process type identification	Local code SC (Separate Certificate per Container)
Separate Certificate Marks Indicator			HDR GR0	GIS	C529/7365	Processing indicator, coded	Y or N
				GIS	C529/1131	Code list qualifier	Filler (must be blank)
				GIS	C529/3055	Code list responsible agency, coded	AQ
				GIS	C529/7187	Process type identification	Local code SM (Separate Certificate per Marks)
Separate Certificate Packer Indicator			HDR GR0	GIS	C529/7365	Processing indicator, coded	Y or N
				GIS	C529/1131	Code list qualifier	Filler (must be blank)
				GIS	C529/3055	Code list responsible agency, coded	AQ
				GIS	C529/7187	Process type identification	Local code SP (Separate Certificate per Packer)
Ship Stores Indicator			HDR GR0	GIS	C529/7365	Processing indicator, coded	Y or N
				GIS	C529/1131	Code list qualifier	Filler (must be blank)
				GIS	C529/3055	Code list responsible agency, coded	AQ
				GIS	C529/7187	Process type identification	Local code SST (Ship Stores)

Version 9.9

Data Item			Group	Seg	Element	Description	Value/Comment
RFP Forward Status			HDR GR0	GIS	C529/7365	Processing indicator, coded	RFP Compliance Code, e.g. INSP, HCRD, COMP
				GIS	C529/1131	Code list qualifier	Filler (must be blank)
				GIS	C529/3055	Code list responsible agency, coded	AQ
				GIS	C529/7187	Process type identification	Local code FW (Forward at Status)
AMLC Quota Indicator			HDR GR0	GIS	C529/7365	Processing indicator, coded	Y or N
				GIS	C529/1131	Code list qualifier	Filler (must be blank)
				GIS	C529/3055	Code list responsible agency, coded	AQ
				GIS	C529/7187	Process type identification	Local code QI (Quota Indicator)
Customs Agent Indicator			HDR GR0	GIS	C529/7365	Processing indicator, coded	Y or N
				GIS	C529/1131	Code list qualifier	Filler (must be blank)
				GIS	C529/3055	Code list responsible agency, coded	AQ
				GIS	C529/7187	Process type identification	Local code ACS (Customs Agent)
Declaration Estimate Indicator			HDR GR0	GIS	C529/7365	Processing indicator, coded	Codes for Confirming, Non-confirming
				GIS	C529/1131	Code list qualifier	Filler (must be blank)
				GIS	C529/3055	Code list responsible agency, coded	AQ
				GIS	C529/7187	Process type identification	Local code DCT (Declaration Type)
Declaration of Compliance Indicator			HDR GR0	GIS	C529/7365	Processing indicator, coded	Y or N
				GIS	C529/1131	Code list qualifier	Filler (must be blank)
				GIS	C529/3055	Code list responsible agency, coded	AQ
				GIS	C529/7187	Process type identification	Local code DOC (Declaration of Compliance)
True and Complete Indicator			HDR GR0	GIS	C529/7365	Processing indicator, coded	Y or N
				GIS	C529/1131	Code list qualifier	Filler (must be blank)
				GIS	C529/3055	Code list responsible agency, coded	AQ
				GIS	C529/7187	Process type identification	Local code TAC (True and Complete)
Imported Product Flag			HDR GR0	GIS	C529/7365	Processing indicator, coded	Y or N
				GIS	C529/1131	Code list qualifier	Filler (must be blank)
				GIS	C529/3055	Code list responsible agency, coded	AQ

Version 9.9

Data Item		Group	Seg	Element	Description	Value/Comment
			GIS	C529/7187	Process type identification	Local code IPF (Imported Product Flag)
Product Use Indicator		HDR GR0	GIS	C529/7365	Processing indicator, coded	Codes for Product Use
			GIS	C529/1131	Code list qualifier	Filler (must be blank)
			GIS	C529/3055	Code list responsible agency, coded	AQ
			GIS	C529/7187	Process type identification	Local code PUI (Product Use Indicator)
Cancel Transfer Indicator		HDR GR0	GIS	C529/7365	Processing indicator, coded	Y
			GIS	C529/1131	Code list qualifier	Filler (must be blank)
			GIS	C529/3055	Code list responsible agency, coded	AQ
			GIS	C529/7187	Process type identification	Local code CT (Cancel Transfer)
Import Permit Number		HDR GR1	DOC	C002/1001	Document name	911 (Import Licence)
				C503/1004	Import permit number	Free format text value (non-blank)
Import Permit Date		HDR GR1	DTM	C507/2005	Date/time/period qualifier	137 (Document Date)
				C507/2380	Import permit date	Value, date of prescribed format
				C507/2379	Date/time/period format qualifier	102 (CCYYMMDD)
Recommendation Letter Number		HDR GR1	DOC	C002/1001	Document name	916 (Related Document)
				C503/1004	Recommendation Letter number	Free format text value (non-blank)
Recommendation Letter Date		HDR GR1	DTM	C507/2005	Date/time/period qualifier	242 (Document Preparation Date)
				C507/2380	Recommendation Letter date	Value, date of prescribed format
				C507/2379	Date/time/period format qualifier	102 (CCYYMMDD)
Consignee Name		HDR GR2	PNA	3035	Party qualifier	CN (Consignee)
			PNA	C206/7402	Consignee Reference Number	Value
			PNA	C082/3039	Declaring Agent Number	Value
			PNA	3403	Name type, coded	Filler (must be blank)
			PNA	3397	Name status, coded	Filler (must be blank)
			PNA	C816/3405	Name component qualifier	10 (Full Name)
			PNA	C816/3398	Name component	Value
Consignee Address		HDR GR2	ADR	C817	Address Usage	Filler (must be blank)
			ADR	C090/3477	Address format, coded	5 (Unstructured Street Address)

Version 9.9

Data Item			Group	Seg	Element	Description	Value/Comment
				ADR	C090/3286	Consignee Street	Free format text value (non-blank) (locally restricted to 2 repeats)
				ADR	3164	Consignee City	Free format text value (non-blank)
				ADR	3251	Consignee Postcode	Free format text value (non-blank)
				ADR	3207	Consignee Country, coded	Value (LOCODE validated) Must equal a Country Code (Appendix E)
				ADR	C819/3229	Country sub-entity identification	Filler (must be blank)
				ADR	C819/1131	Code list qualifier	Filler (must be blank)
				ADR	C819/3055	Code list responsible agency, coded	Filler (must be blank)
				ADR	C819/3228	Consignee State	Free format text value (non-blank)
Consignee TRACES Approval ID			HDR GR2	FTX	4451	Text subject qualifier	ZZZ (Mutually defined)
				FTX	4453	Text function, coded	4 (No action required)
				FTX	C107/4441	Free text identification	TRACESCONSIGNEEID
				FTX	C107/1131	Code list qualifier	160 (Party identification)
				FTX	C107/3055	Code list responsible agency, coded	AQ
				FTX	C108/4440	Consignee TRACES Approval ID	Value
				FTX	3453	Language, coded	Filler (must be blank)
Consignee Contact Details			HDR GR3	CTA	3139	Contact function	CN (Consignee)
Consignee Phone Number			HDR GR3	COM	C076/3148	Consignee Phone Number	Value
				COM	C076/3155	Communication channel qualifier	TE (Telephone)
Consignee Representative Name			HDR GR2	PNA	3035	Party qualifier	CX (Consignee's Agent)
				PNA	C206	Identification Number	Filler (must be blank)
				PNA	C082	Party Identification Details	Filler (must be blank)
				PNA	3403	Name Type, Coded	Filler (must be blank)
				PNA	3397	Name Status, Coded	Filler (must be blank)
				PNA	C816/3405	Name component qualifier	10 (Full Name)
				PNA	C816/3398	Name Component Details	Value
Consignee Representative Name			HDR GR3	CTA	3139	Contact function	AG (Agent)
				CTA	C056/3413	Department or Employee identification	Filler (must be blank)
				CTA	C056/3412	Department or Employee	Value (free format text)
Person Responsible for Consignment			HDR GR2	PNA	3035	Party qualifier	AL

Version 9.9

Data Item			Group	Seg	Element	Description	Value/Comment
				PNA	C206	Identification Number	Filler (must be blank)
				PNA	C082	Party Identification Details	Filler (must be blank)
				PNA	3403	Name type, coded	Filler (must be blank)
				PNA	3397	Name status, coded	Filler (must be blank)
				PNA	C816/3405	Name component qualifier	10 (Full Name)
				PNA	C816/3398	Name component	Value
Person Responsible Address			HDR GR2	ADR	C817	Address Usage	Filler (must be blank)
				ADR	C090/3477	Address format, coded	5 (Unstructured Street Address)
				ADR	C090/3286	Person Responsible Street	Free format text value (non-blank) (locally restricted to 2 repeats)
				ADR	3164	Person Responsible City	Free format text value (non-blank)
				ADR	3251	Person Responsible Postcode	Free format text value (non-blank)
				ADR	3207	Person Responsible Country, coded	Value (LOCODE validated) Must equal a Country Code (Appendix E)
Person Responsible Contact Details			HDR GR3	CTA	3139	Contact function	AL
Person Responsible Phone Number			HDR GR3	COM	C076/3148	Person Responsible Phone Number	Value
				COM	C076/3155	Communication channel qualifier	TE (Telephone)
Place of Destination			HDR GR2	PNA	3035	Party qualifier	GG (Warehouse)
				PNA	C206/7402	Place of Destination Approval Number	Value
				PNA	C082/3039	Place of Destination Type Identifier	Value. Must be either C or S.
				PNA	3403	Name type, coded	Filler (must be blank)
				PNA	3397	Name status, coded	Filler (must be blank)
				PNA	C816/3405	Name component qualifier	10 (Full Name)
				PNA	C816/3398	Place of Destination Name	Value
Place of Destination Address			HDR GR2	ADR	C817	Address Usage	Filler (must be blank)
				ADR	C090/3477	Address format, coded	5 (Unstructured Street Address)
				ADR	C090/3286	Place of Destination Street	Free format text value (non-blank) (locally restricted to 2 repeats)
				ADR	3164	Place of Destination City	Free format text value (non-blank)
				ADR	3251	Place of Destination Postcode	Free format text value (non-blank)
				ADR	3207	Place of Destination Country, coded	Value (LOCODE validated) Must equal a Country Code (Appendix E)

Version 9.9

Data Item			Group	Seg	Element	Description	Value/Comment
Place of Destination Contact Details			HDR GR3	CTA	3139	Contact function	GG (Warehouse)
Place of Destination Phone Number			HDR GR3	COM	C076/3148	Place of Destination Phone Number	Value
				COM	C076/3155	Communication channel qualifier	TE (Telephone)
Transferee Exporter Number			HDR GR2	PNA	3035	Party qualifier	TT (Transfer To)
				PNA	C206/7402	Identity number	Value
Transferee EDI User Identifier			HDR GR3	CTA	3139	Contact function	AG (Agent)
				CTA	C056/3413	Department or employee id	Value
Transport Details			HDR GR4	TDT	8051	Transport stage qualifier	12 (At Departure)
				TDT	8028	Voyage number, Conveyance reference number	Value
				TDT	C220/8067	Transport mode, Mode of transport, coded	1 (Maritime), 4 (Air), 5 (Mail)
				TDT	C228	Transport Means	Filler (must be blank)
				TDT	C040/3127	Carrier identification	Filler (must be blank)
				TDT	C040/1131	Code list qualifier	Filler (must be blank)
				TDT	C040/3055	Code list responsible agency	Filler (must be blank)
				TDT	C040/3128	Shipping company name, Carrier name	Value
				TDT	8101	Transit Direction	Filler (must be blank)
				TDT	C401	Excess Transportation Information	Filler (must be blank)
				TDT	C222/8213	Id. of means of transport identification	Filler (must be blank)
				TDT	C222/1131	Code list qualifier	Filler (must be blank)
				TDT	C222/3055	Code list responsible agency	Filler (must be blank)
				TDT	C222/8212	Vessel name, Id. of means of transport	Value
Departure Date			HDR GR4	DTM	C507/2005	Date/time/period qualifier	136 (Departure Date/Time)
				DTM	C507/2380	Date/time/period	Value, date of prescribed format
				DTM	C507/2379	Date/time/period format qualifier	102 (CCYYMMDD)
Vessel Hold			HDR GR6	EQD	8053	Equipment identifier	VH (Vessel Hold)
Vessel Hold Seals			HDR GR7	SEL	9308	Seal start number	Value
				SEL	9308	Seal end number	Value

Version 9.9

Data Item			Group	Seg	Element	Description	Value/Comment
Inspection Process			HDR GR8	PRC	C242/7187	Process type identification	Must be IN (Inspection Process)
				PRC	C242/1131	Code list qualifier	PP (Product Process)
				PRC	C242/3055	Code list responsible agency, coded	AQ
Inspection Requested Date			HDR GR8	DTM	C507/2005	Date/time/period qualifier	318 (Request Date)
				DTM	C507/2380	Date/time/period	Value, date of prescribed format
				DTM	C507/2379	Date/time/period format qualifier	204 (CCYYMMDDHHMMSS)
RFP Authorised Start Date			HDR GR8	DTM	C507/2005	Date/time/period qualifier	194 (Authorisation Start Date)
				DTM	C507/2380	Date/time/period	Value, date of prescribed format
				DTM	C507/2379	Date/time/period format qualifier	102 (CCYYMMDD)
RFP Authorised End Date			HDR GR8	DTM	C507/2005	Date/time/period qualifier	119 (Authorisation Date)
				DTM	C507/2380	Date/time/period	Value, date of prescribed format
				DTM	C507/2379	Date/time/period format qualifier	102 (CCYYMMDD)
RFP Authorisation Establishment Number			HDR GR9	PNA	3035	Party qualifier	FO (Party Performing Authorisation)
				PNA	C206/7402	Establishment number	Value
RFP Authorising Officer Identifier			HDR GR9	PNA	3035	Party qualifier	AV (Authorising Official)
				PNA	C206/7402	RFP Authorising Officer Identifier	Value, must equal an Authorised AQA User Identifier
Ships Hold Inspection Process			LIN GR8	PRC	C242/7187	Process type identification	Must equal SH (Ships Hold Inspection).
					C242/1131	Code list qualifier	PP (Production Process)
					C242/3055	Code list responsible agency	AQ
Compartments			LIN GR8	IMD	7077	Item Description Type, Coded	Filler (must be blank)
					7081	Item Characteristic, Coded	Filler (must be blank)
					C273/7009	Compartment Identification	CM (Compartment)
					C273/1131	Code list qualifier	Filler (must be blank)
					C273/3055	Code list responsible agency	Filler (must be blank)
				C273/7008	Compartments	Free format text value (non-blank) (no repeats allowed)	
Inspection Port			LIN GR8	IMD	7077	Item Description Type, Coded	Filler (must be blank)

Version 9.9

Data Item			Group	Seg	Element	Description	Value/Comment
					7081	Item Characteristic, Coded	Filler (must be blank)
					C273/7009	Inspection Port Identification	IP (Inspection Port)
					C273/1131	Code list qualifier	Filler (must be blank)
					C273/3055	Code list responsible agency	Filler (must be blank)
					C273/7008	Inspection Port	Free format text value (non-blank) (no repeats allowed)
Ships Hold Inspection Date			LIN GR8	DTM	C507/2005	Date/time/period qualifier	351 (Inspection Date)
					C507/2380	Sample start date	Value, date of prescribed format
					C507/2379	Date/time/period format qualifier	102 (CCYYMMDD)
Storage Process			HDR GR8	PRC	C242/7187	Process type identification	Must be ST (Storage Process)
				PRC	C242/1131	Code list qualifier	PP (Product Process)
				PRC	C242/3055	Code list responsible agency, coded	AQ
Storage Establishment Number			HDR GR9	PNA	3035	Party qualifier	MP (Manufacturing Plant)
				PNA	C206/7402	Establishment number	Value
Approved Certifier			HDR GR9	PNA	3035	Party Qualifier	PQ (Certifying Party)
					C206/7402	Approved Certifier	Value
		RFP Line					
Line Identifier			LIN GR11	LIN	1082	Line Number	Value
Line Net Quantity			LIN GR11	MEA	6311	Measure application qualifier	AAA (Line Item Measurement)
					C502/6313	Measure dimension coded	SQ (Shipped Quantity)
					C174/6411	Net unit	Value, must equal a measurement unit (Appendix E)
					C174/6314	Net amount	Numeric measurement value
Line Imperial Net Weight			LIN GR11	MEA	6311	Measure application qualifier	AAI (Item Weight)
					C502/6313	Measure dimension coded	AAL (Net Weight)
					C174/6411	Line imperial net weight unit	Value, must equal an imperial weight unit (Appendix E)
					C174/6314	Line imperial net weight amount	Numeric measurement value
Line Metric Gross Weight			LIN GR11	MEA	6311	Measure application qualifier	AAI (Item Weight)

Version 9.9

Data Item			Group	Seg	Element	Description	Value/Comment
					C502/6313	Measure dimension coded	AAE (Gross Weight)
					C174/6411	Line metric gross weight unit	Metric weight unit, eg GRM, KGM
					C174/6314	Line metric gross weight amount	Numeric measurement value
Drained Weight			LIN GR11	MEA	6311	Measure application qualifier	AAI (Item Weight)
					C502/6313	Measure dimension coded	AAF (Net Weight)
					C174/6411	Measure unit qualifier	A valid weight measurement unit (See Appendix E)
					C174/6314	Drained weight amount	Numeric measurement value
Line Customs Weight			LIN GR11	MEA	6311	Measure application qualifier	AAF (Customs Line Item Measurement)
					C502/6313	Measure dimension coded	SQ (Shipped Quantity)
					C174/6411	Weight unit	Value, must equal a measurement unit (Appendix E)
					C174/6314	Weight amount	Numeric measurement value
Percentage of milk protein			LIN GR11	MEA	6311	Measure application qualifier	MP (Milk Protein)
					C502/6313	Property measured	Filler (must be blank)
					C174/6411	Measure unit qualifier	P1 (Percentage)
					C174/6314	Percentage of milk protein	Numeric measurement value
Percentage of milk fat			LIN GR11	MEA	6311	Measure application qualifier	MF (Milk Fat)
					C502/6313	Property measured	Filler (must be blank)
					C174/6411	Measure unit qualifier	P1 (Percentage)
					C174/6314	Percentage of milk fat	Numeric measurement value
Total weight of milk protein in mixtures			LIN GR11	MEA	6311	Measure application qualifier	MP (Milk Protein)
					C502/6313	Property measured	AAL(Net Weight)
					C174/6411	Measure unit qualifier	KGM (Kilograms)
					C174/6314	Percentage of milk protein	Numeric measurement value
Total weight of milk fat in mixtures			LIN GR11	MEA	6311	Measure application qualifier	MF (Milk Fat)
					C502/6313	Property measured	AAL (Net Weight)
					C174/6411	Measure unit qualifier	KGM (Kilograms)
					C174/6314	Percentage of milk fat	Numeric measurement value

Version 9.9

Data Item			Group	Seg	Element	Description	Value/Comment
BeefVeal Weight			LIN GR11	MEA	6311	Measurement application qualifier	AAI (Item Weight)
					C502/6313	Measurement dimension coded	ACG (Chargeable Weight) – local use BeefVeal KG
					C174/6411	Measure unit qualifier	KGM (Kilograms)
					C174/6314	BeefVeal Weight	Amount
Chemical Lean Percentage			LIN GR11	MEA	6311	Measurement application qualifier	CH (Chemistry)
					C502/6313	Property measured	Filler (must be blank)
					C174/6411	Measurement unit qualifier	P1 (Percentage)
					C174/6314	Measurement value	Value
Product Code			LIN GR11	PIA	4347	Product identification function qualifier	5 (Product Identification)
					C212/7140	Product code	Value
					C212/7143	Product code type	CC (Industry Commodity Code)
Cut Code			LIN GR11	PIA	4347	Product identification function qualifier	5 (Product Identification)
				PIA	C212/7140	Item number type	Value
				PIA	C212/7143	Item number type, coded	BP (Buyer's Part Number)
EAN – 13 NUMBER			LIN GR11	PIA	4347	Product identification function qualifier	1 (Additional Identification)
					C212/7140	EAN – 13 number	Valid EAN – 13 code for the product
					C212/7143	Product code type	CC (Industry Commodity Code)
Dominant Product			LIN GR11	PIA	4347	Product identification function qualifier	5 (Product Identification)
					C212/7140	Dominant Product	Value
					C212/7143	Dominant Product type	CG (Commodity Grouping)
Additional Products			LIN GR11	PIA	4347	Product identification function qualifier	5 (Product Identification)
					C212/7140	Additional Products	Value
					C212/7143	Additional Products type	SG (Standard Group of Products)
AHECC Code			LIN GR11	PIA	4347	Product identification function qualifier	5 (Product Identification)
					C212/7140	AHECC Code	Value
					C212/7143	Product code type	HS (Harmonised System)
RFP Line Item Description			LIN GR11	IMD	7077	Item Description Type, Coded	Filler (must be blank)

Version 9.9

Data Item			Group	Seg	Element	Description	Value/Comment
					7081	Item Characteristic, Coded	Filler (must be blank)
					C273/7009	Item description identification	IN (Inspection)
					C273/1131	Code list qualifier	Filler (must be blank)
					C273/3055	Code list responsible agency	Filler (must be blank)
					C273/7008	RFP Line Item Description	Free format text value (non-blank) (2 repeats allowed)
Exporter Defined Product Description			LIN GR11	IMD	7077	Item Description Type, Coded	Filler (must be blank)
					7081	Item Characteristic, Coded	Filler (must be blank)
					C273/7009	Item description identification	UHC (User Defined Certificate)
					C273/1131	Code list qualifier	Filler (must be blank)
					C273/3055	Code list responsible agency	Filler (must be blank)
					C273/7008	Certificate product description	Free format text value (non-blank) (5 repeats allowed)
Generated Certificate Product Description			LIN GR11	IMD	7077	Item Description Type, Coded	Filler (must be blank)
					7081	Item Characteristic, Coded	Filler (must be blank)
					C273/7009	Item description identification	GHC1 or GHC2 (System Generated)
					C273/1131	Code list qualifier	Filler (must be blank)
					C273/3055	Code list responsible agency	Filler (must be blank)
					C273/7008	Certificate product description	Free format text value (non-blank) (5 repeats allowed)
Additional Product Description			LIN GR11	IMD	7077	Item Description Type, Coded	Filler (must be blank)
					7081	Item Characteristic, Coded	Filler (must be blank)
					C273/7009	Item description identification	AD (Additional)
					C273/1131	Code list qualifier	Filler (must be blank)
					C273/3055	Code list responsible agency	Filler (must be blank)
					C273/7008	Additional product description	Free format text value (non-blank) (8 repeats allowed)
EAN – 13 Description			LIN GR11	IMD	7077	Item Description Type, Coded	Filler (must be blank)
					7081	Item Characteristic, Coded	Filler (must be blank)
					C273/7009	Item description identification	ED (EAN Description)
					C273/1131	Code list qualifier	Filler (must be blank)
					C273/3055	Code list responsible agency	Filler (must be blank)

Version 9.9

Data Item			Group	Seg	Element	Description	Value/Comment
					C273/7008	EAN – 13 Description	Free format text value (non-blank) (5 repeats allowed)
Product Condition			LIN GR11	IMD	7077	Item Description Type, Coded	Filler (must be blank)
					C272/7081	Item Characteristic, Coded	203 (Condition)
					C273/7009	Item description identification	CND (Condition)
					C273/1131	Code list qualifier	Filler (must be blank)
					C273/3055	Code list responsible agency	Filler (must be blank)
					C273/7008	Product Condition code	Product Condition code (Appendix E)
Product Part			LIN GR11	IMD	7077	Item Description Type, Coded	Filler (must be blank)
					C272/7081	Item Characteristic, Coded	Filler (must be blank)
					C273/7009	Item description identification	PVP (Product Part)
					C273/1131	Code list qualifier	Filler (must be blank)
					C273/3055	Code list responsible agency	Filler (must be blank)
					C273/7008	Product Part	Product Part code (Appendix E)
Product Quality Qualifier			LIN GR11	IMD	7077	Item Description Type, Coded	Filler (must be blank)
					7081	Item Characteristic, Coded	Filler (must be blank)
					C273/7009	Item description identification	QQ (Quality Qualifier)
					C273/1131	Code list qualifier	Filler (must be blank)
					C273/3055	Code list responsible agency	Filler (must be blank)
					C273/7008	Product description quality qualifier	Free format text value (non-blank), must equal a Quality Qualifier Code (Appendix E)
Product Location Qualifier			LIN GR11	IMD	7077	Item Description Type, Coded	Filler (must be blank)
					7081	Item Characteristic, Coded	Filler (must be blank)
					C273/7009	Item description identification	LQ (Location Qualifier)
					C273/1131	Code list qualifier	Filler (must be blank)
					C273/3055	Code list responsible agency	Filler (must be blank)
					C273/7008	Product description location qualifier	Must equal a Location Qualifier Code (Appendix E)
Nature of Commodity			LIN GR11	IMD	7077	Item Description Type, Coded	Filler (must be blank)
					7081	Item Characteristic, Coded	Filler (must be blank)
					C273/7009	Item description identification	NC (Nature of Commodity)

Version 9.9

Data Item			Group	Seg	Element	Description	Value/Comment
					C273/1131	Code list qualifier	Filler (must be blank)
					C273/3055	Code list responsible agency	Filler (must be blank)
					C273/7008	Nature of Commodity	Must equal a Nature of Commodity Code (Appendix E)
Treatment Type			LIN GR11	IMD	7077	Item Description Type, Coded	Filler (must be blank)
					7081	Item Characteristic, Coded	Filler (must be blank)
					C273/7009	Item description identification	TT (Treatment Type)
					C273/1131	Code list qualifier	Filler (must be blank)
					C273/3055	Code list responsible agency	Filler (must be blank)
					C273/7008	Treatment Type	Must equal a Treatment Type Code (Appendix E)
Batch Code			LIN GR11	GIN	7405	Identity Number Qualifier	BX (Batch number)
					C208/7402	Identity Number	Batch Code
Label Approval Indicator			HDR GR11	ATT	9017	Attribute Function Qualifier	10
					C955	Attribute Type	Filler (must be blank)
				ATT	C956/9019	Label Approval Indicator	Must be Y or N
				ATT	C956/1131	Code Attribute Type	LAI
				ATT	C956/3055	Code list responsible agency, coded	AQ
Ungraded Product Indicator			LIN GR11	ATT	9017	Attribute Function Qualifier	10
					C955	Attribute Type	Filler (must be blank)
					C956/9019	Ungraded Product Indicator	Must be Y or N
					C956/1131	Code Attribute Type	UPI
					C956/3055	Code list responsible agency, coded	AQ
Halal Product Indicator			LIN GR11	ATT	9017	Attribute Function Qualifier	10
					C955	Attribute Type	Filler (must be blank)
					C956/9019	Halal Product Indicator	Must be Y or N
					C956/1131	Code Attribute Type	HPI
					C956/3055	Code list responsible agency, coded	AQ
Final Consumer			LIN GR11	ATT	9017	Attribute Function Qualifier	10
					C955	Attribute Type	Filler (must be blank)
					C956/9019	Final Consumer	Must be Y or N
					C956/1131	Code Attribute Type	FCI

Version 9.9

Data Item		Group	Seg	Element	Description	Value/Comment
				C956/3055	Code list responsible agency, coded	AQ
Fish Water Indicator		LIN GR11	ATT	9017	Attribute Function Qualifier	10
				C955	Attribute Type	Filler (must be blank)
				C956/9019	Fish Water Indicator	Must be F or S
				C956/1131	Code Attribute Type	FWI
				C956/3055	Code list responsible agency, coded	AQ
Durability Start Date		LIN GR11	DTM	C507/2005	Date/time/period qualifier	194 (Start Date)
				C507/2380	Durability start date	Value, date of prescribed format
				C507/2379	Date/time/period format qualifier	102 (CCYYMMDD)
Durability End Date		LIN GR11	DTM	C507/2005	Date/time/period qualifier	206 (End Date)
				C507/2380	Durability end date	Value, date of prescribed format
				C507/2379	Date/time/period format qualifier	102 (CCYYMMDD)
Salting Date		LIN GR11	DTM	C507/2005	Date/time/period qualifier	9 (Processing Date)
				C507/2380	Salting date	Value, date of prescribed format
				C507/2379	Date/time/period format qualifier	102 (CCYYMMDD)
Catch Start Date		LIN GR11	DTM	C507/2005	Date/time/period qualifier	163 (Processing Start Date)
				C507/2380	Catch Start Date	Value, date of prescribed format
				C507/2379	Date/time/period format qualifier	102 (CCYYMMDD)
Catch End Date		LIN GR11	DTM	C507/2005	Date/time/period qualifier	164 (Processing End Date)
				C507/2380	Catch End Date	Value, date of prescribed format
				C507/2379	Date/time/period format qualifier	102 (CCYYMMDD)
Product Source State		LIN GR11	LOC	3227	Place/location qualifier	ZZZ (Product Source State)
				C517/3225	Place/location identification	Free format text value (non-blank). Must equal a State Code (Appendix E) or a comma-delimited list of State Codes.
Product Country of Origin		LIN GR11	LOC	3227	Place/location qualifier	27 (Country)
				C517/3225	Place/location identification	LOCODE (cc)
Additional Declaration Text		LIN GR11	FTX	4451	Text subject qualifier	AAZ (Additional Declaration)

Version 9.9

Data Item			Group	Seg	Element	Description	Value/Comment
					4453	Text Function, Coded	Filler (must be blank)
					C107	Text Reference	Filler (must be blank)
					C108/4440	Additional Declaration Text	Free format text value (1-5 repeats)
Coded Statement			LIN GR11	FTX	4451	Text subject qualifier	ZZZ (Coded Statement)
					4453	Text Function, Coded	Filler (must be blank)
					C107	Text Reference	Filler (must be blank)
					C108/4440	Statement Number	Free format text value (1-5 repeats)
Free Text Statement			LIN GR11	FTX	4451	Text subject qualifier	AAY (Free Text Statement)
					4453	Text Function, Coded	Filler (must be blank)
					C107	Text Reference	Filler (must be blank)
					C108/4440	Statement Text	Free format text value (1-5 repeats)
Import Authority Code			LIN GR11	FTX	4451	Text Subject Qualifier	ABL (Government Information)
					4453	Text Function	Filler (must be blank)
					C107	Text Reference	Filler (must be blank)
					C108/4440	Import Authority Code	Free format text value (1-5 repeats)
Client Line Item Identifier			LIN GR11	FTX	4451	Text Subject Qualifier	LIN (Line Item Information)
					4453	Text Function	Filler (must be blank)
					C107	Text Reference	Filler (must be blank)
					C108/4440	Client Line Item Identifier	Free format text value (1-4 repeats)
FOB Amount			LIN GR11	MOA	C516/5025	Monetary amount qualifier	63 (Free On Board Value)
					C516/5004	FOB amount	Monetary amount
Requested Health Certificate Template/Endorsement			LIN GR12	DOC	C002/1001	Document name	852 (Sanitary Certificate)
					C002/1131	Code list qualifier	Filler (must be blank)
					C002/3055	Code list responsible agency	Filler (must be blank)
					C002/1000	Certificate template & endorsement, coded	Value
					C503/1004	Document/message number	Filler (must be blank)

Version 9.9

Data Item		Group	Seg	Element	Description	Value/Comment
				C503/1373	Document status	19 (Applied For)
Extra Certificate		LIN GR12	DOC	C002/1001	Document name	852 (Sanitary Certificate)
				C002/1131	Code list qualifier	Filler (must be blank)
				C002/3055	Code list responsible agency	Filler (must be blank)
				C002/1000	Extra Certificate Template	Value
				C503/1004	Document/message number	Filler (must be blank)
				C503/1373	Document status	9 (To be printed)
Assigned Primary Certificate		LIN GR12	DOC	C002/1001	Document Name	852 (Primary Sanitary Certificate)
				C002/1131	Code list qualifier	Filler (must be blank)
				C002/3055	Code list responsible agency	Filler (must be blank)
				C002/1000	Certificate template & endorsement.	Value
				C503/1004	Certificate Number	Value: Certificate Number
				C503/1373	Document Statue	1 (Accepted)
Assigned Secondary Certificate		LIN GR12	DOC	C002/1001	Document Name	3 (Associated Sanitary Certificate)
				C002/1131	Code list qualifier	Filler (must be blank)
				C002/3055	Code list responsible agency	Filler (must be blank)
				C002/1000	Certificate template & endorsement.	Value
				C503/1004	Certificate Number	Value: Certificate Number
				C503/1373	Document Statue	1 (Accepted)
Related Export Permit Number		LIN GR12	DOC	C002/1001	Document name	841 (Goods Control Certificate)
				C503/1004	Related export permit number	Free format text value (non-blank)
				C503/1373	Document/message status, coded	Filler (must be blank)
				C503/1366	Document source	Export Permit Type (Appendix E) e.g. AWB (Australian Wheat Board)
Related Export Permit Date		LIN GR12	DTM	C507/2005	Date/time/period qualifier	137 (Document Date)
				C507/2380	Related export permit date	Value, date of prescribed format
				C507/2379	Date/time/period format qualifier	102 (CCYYMMDD)
AMLC Performance Exporter Number		LIN GR13	PNA	3035	Party qualifier	EX (Exporter)
				C206/7402	Identity number	Value: Exporter Number

Version 9.9

Data Item			Group	Seg	Element	Description	Value/Comment
Packaging Details			LIN GR15	PAC	7224	Package quantity	Must be zero or empty if Package Type = "VR" or "MX", otherwise must be non-zero
					C531/7075	Packaging level	1 (Inner), or 2 (Intermediate), or 3 (Outer)
					C202/7065	Package type	Value, must equal a Package Code (Appendix E) e.g. CT=Cartons
					C202/1131	Code list qualifier	Filler (must be blank)
					C202/3055	Code list responsible agency	AQ
Shipping Marks			LIN GR15	PCI	4233	Marking Instructions, Coded	Filler (must be blank)
					C210/7102	Shipping marks	Free format text value (non-blank) (locally restricted to 1 repeat)
Package Measurement			LIN GR15	MEA	6311	Measure application qualifier	AAU (Package Weight)
					C502/6313	Measure dimension coded	AAL (Net Weight)
					C502/6321	Package measure accuracy	3 (Approximate), or 4 (Equal To)
					C174/6411	Package unit	Value, Metric Weight Unit or Measurement Unit (Appendix E)
					C174/6314	Package unit amount	Numeric measurement value
Container Number			LIN GR16	EQD	8053	Equipment identifier	CN (Container)
					C237/8260	Container number	Non-blank with no embedded spaces
IMA1 Net Weight			LIN GR16	MEA	6311	Measure application qualifier	WT (Weight)
					C502/6313	Measure dimension coded	AAC (Net weight)
					C174/6411	Net unit	Filler (must be blank)
					C174/6314	IMA1 Net Weight Amount	Numeric measurement value
IMA1 Gross Weight			LIN GR16	MEA	6311	Measure application qualifier	WT (Weight)
					C502/6313	Measure dimension coded	AAE (Gross weight)
					C174/6411	Net unit	Filler (must be blank)
					C174/6314	IMA1 Gross Weight Amount	Numeric measurement value
IMA1 Product Description			LIN GR16	IMD	7077	Item Description Type, Coded	Filler (must be blank)
					7081	Item Characteristic, Coded	Filler (must be blank)
					C273/7009	Item description identification	IMA1 (IMA1 Product Description)

Version 9.9

Data Item			Group	Seg	Element	Description	Value/Comment
					C273/1131	Code list qualifier	Filler (must be blank)
					C273/3055	Code list responsible agency	Filler (must be blank)
					C273/7008	IMA1 product description	Free format text value (non-blank) (6 repeats allowed)
IMA1 Serial Number			LIN GR16	GIN	7405	Identity Number Qualifier	BN (Serial Number)
					C208/7402	IMA1 Serial Number	Free format text value (non-blank)
IMA1 Invoice Number			LIN GR16	GIN	7405	Identity Number Qualifier	IL (Invoice Number)
					C208/7402	IMA1 Invoice Number	Free format text value (non-blank)
IMA1 Invoice Date			LIN GR16	DTM	C507/2005	Date/time/period qualifier	3 (Invoice Date)
					C507/2380	IMA1 Invoice Date	Value, date of prescribed format
					C507/2379	Date/time/period format qualifier	102 (CCYYMMDD)
IMA1 Quota Year			LIN GR16	FTX	4451	Text subject qualifier	AAI (General Information)
					4453	Text Function, Coded	Filler (must be blank)
					C107	Text Reference	Filler (must be blank)
					C108/4440	IMA1 Quota Year	Free format text value
Container Seal			LIN GR17	SEL	9308	Seal number	Free format text value (non-blank)
				SEL	9308	Seal start number	alphanumeric
				SEL	9308	Seal end number	alphanumeric
Treatment			LIN GR18	PRC	C242/7187	Process type identification	Must equal TR (treatment).
					C242/1131	Code list qualifier	PP (Production Process)
					C242/3055	Code list responsible agency	AQ
Treatment Information			LIN GR18	IMD	7077	Item description Type, Coded	Filler (must be blank)
					7081	Item Characteristic, Coded	Must equal 25 (End Treatment)
					C273/7009	Treatment Code	Must equal a valid Treatment Code
					C273/1131	Code list qualifier	Filler (must be blank)
					C273/3055	Code list responsible agency	Filler (must be blank)
					C273/7008	Treatment Information	Free format text value (non-blank) (8 repeats allowed)
Treatment Active Ingredient			LIN GR18	IMD	7077	Item Description Type, Coded	Filler (must be blank)

Version 9.9

Data Item			Group	Seg	Element	Description	Value/Comment
					C272/7081	Item Characteristic, Coded	Filler (must be blank)
					C273/7009	Item description identification	TAI (Treatment active ingredient)
					C273/1131	Code list qualifier	Filler (must be blank)
					C273/3055	Code list responsible agency	Filler (must be blank)
					C273/7008	Treatment Active Ingredient code	Chemical treatment active ingredient code (Appendix E)
Treatment Concentration			LIN GR18	MEA	6311	Measure application qualifier	CH (Chemistry)
					C502/6313	Measure dimension coded	Filler (must be blank)
					C174/6411	Measure unit qualifier	Treatment Concentration Unit Code (Appendix E) per UN Recommendation 20. eg: A93, GL, KX, H64, H29, etc..
					C174/6314	Treatment Concentration amount	Value of treatment concentration
Treatment Duration			LIN GR18	MEA	6311	Measure application qualifier	ABV (Unit of time)
					C502/6313	Measure dimension coded	TN (Time Period)
					C174/6411	Measure unit qualifier	SEC (Seconds) or MIN (Minutes) or HUR (Hours) or DAY (Days) (per UN Recommendation 20)
					C174/6314	Treatment Duration amount	Value of treatment duration
Treatment Temperature			LIN GR18	MEA	6311	Measure application qualifier	TE (Temperature)
					C502/6313	Measure dimension coded	TC (Temperature)
					C174/6411	Measure unit qualifier	CEL (Degree Celsius) or FAH (Degree Fahrenheit)
					C174/6314	Treatment Temperature value	Value of treatment temperature
Treatment Date			LIN GR18	DTM	C507/2005	Date/time/period qualifier	194 (Start Date)
					C507/2380	Treatment Date	Value, date of prescribed format
					C507/2379	Date/time/period format qualifier	102 (CCYYMMDD)
Treatment End Date			LIN GR18	DTM	C507/2005	Date/time/period qualifier	206 (End Date)
					C507/2380	Treatment End Date	Value, date of prescribed format
					C507/2379	Date/time/period format qualifier	102 (CCYYMMDD)
Harvest Process			LIN GR18	PRC	C242/7187	Process type identification	Must equal HA (Harvest).

Version 9.9

Data Item			Group	Seg	Element	Description	Value/Comment
					C242/1131	Code list qualifier	PP (Production Process)
					C242/3055	Code list responsible agency	AQ
Harvest Start Date			LIN GR18	DTM	C507/2005	Date/time/period qualifier	194 (Start Date)
					C507/2380	Harvest start date	Value, date of prescribed format
					C507/2379	Date/time/period format qualifier	102 (CCYYMMDD)
Harvest End Date			LIN GR18	DTM	C507/2005	Date/time/period qualifier	206 (End Date)
					C507/2380	Harvest end date	Value, date of prescribed format
					C507/2379	Date/time/period format qualifier	102 (CCYYMMDD)
Depuration Date			LIN GR18	DTM	C507/2005	Date/time/period qualifier	9 (Processing Date)
					C507/2380	Depuration date	Value, date of prescribed format
					C507/2379	Date/time/period format qualifier	102 (CCYYMMDD)
Harvest Area/Lease Number			LIN GR18	LOC	3227	Place/location qualifier	48 (Region of Production)
					C517/3225	Place/location identification	Must equal a valid Harvest Area
					C519/3223	Related place/location identification	Conditional element. If provided, must equal a valid Lease Number
Depuration Plant Number			LIN GR18	PNA	3035	Party qualifier	SK (Plant)
					C206/7402	Identity number	Depuration Plant Number
Production Process			LIN GR18	PRC	C242/7187	Process type identification	Value, must equal a Process Type Code other than 'IN' (Appendix E) e.g. SL (Slaughter), PK (Pack)
					C242/1131	Code list qualifier	PP (Production Process)
					C242/3055	Code list responsible agency	AQ
Process Start Date			LIN GR18	DTM	C507/2005	Date/time/period qualifier	194 (Start Date)
					C507/2380	Process start date	Value, date of prescribed format
					C507/2379	Date/time/period format qualifier	102 (CCYYMMDD)
Process End Date			LIN GR18	DTM	C507/2005	Date/time/period qualifier	206 (End Date)
					C507/2380	Process end date	Value, date of prescribed format
					C507/2379	Date/time/period format qualifier	102 (CCYYMMDD)

Version 9.9

Data Item			Group	Seg	Element	Description	Value/Comment
Processing Establishment Number/Name			LIN GR19	PNA	3035	Party qualifier	MP (Manufacturing Plant)
				PNA	C206/7402	Establishment number	Registered Establishment Number
				PNA	C082	Party Identification Details	Free format text value.
				PNA	3403	Name type, coded	Filler (must be blank)
				PNA	3397	Name status, coded	Filler (must be blank)
				PNA	C816/3405	Name component qualifier	10 (Full Name)
				PNA	C816/3398	Name component	Value
Processing Establishment Address			LIN GR19	ADR	C817	Address Usage	Filler (must be blank)
				ADR	C090/3477	Address format, coded	5 (Unstructured Street Address)
				ADR	C090/3286	Establishment Street	Free format text value (non-blank) (locally restricted to 2 repeats)
				ADR	3164	Establishment City	Free format text value (non-blank)
				ADR	3251	Establishment Postcode	Free format text value (non-blank)
				ADR	3207	Establishment Country, coded	LOCODE (cc)
				ADR	C819/3229	Country sub-entity identification	Filler (must be blank)
				ADR	C819/1131	Code list qualifier	Filler (must be blank)
				ADR	C819/3055	Code list responsible agency, coded	Filler (must be blank)
			ADR	C819/3228	Establishment State	Free format text value (non-blank)	
Processing Establishment Contact Details			LIN GR20	CTA	3139	Contact function	ZZZ
Processing Establishment Phone Number			LIN GR20	COM	C076/3148	Establishment Phone Number	Value
				COM	C076/3155	Communication channel qualifier	TE (Telephone)

EXDOC (Certificate Request) Adaptation of SANCRT

Level

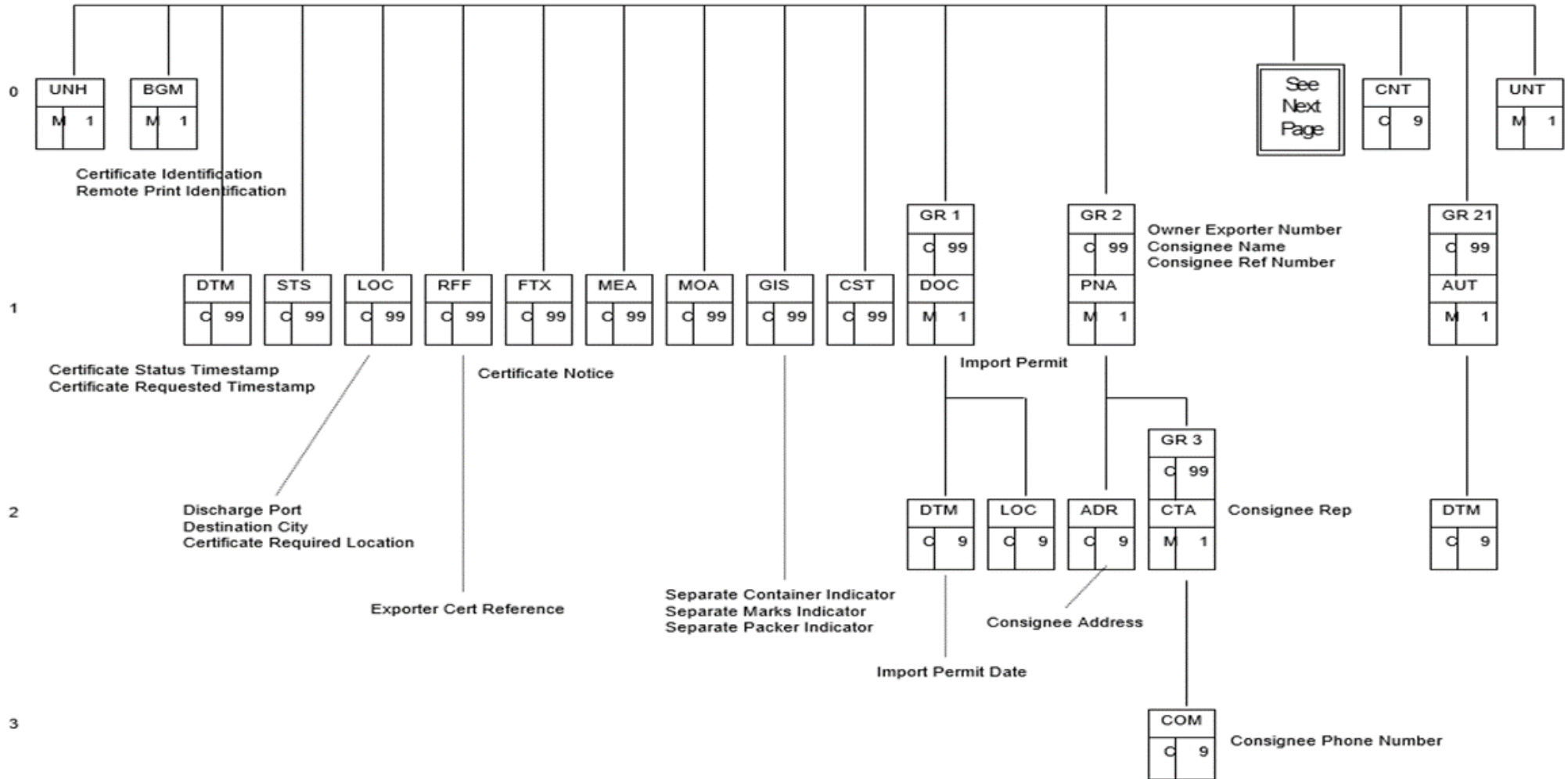


Figure 11 - EXDOC (Certificate Request) Adaptation of SANCRT Part 1

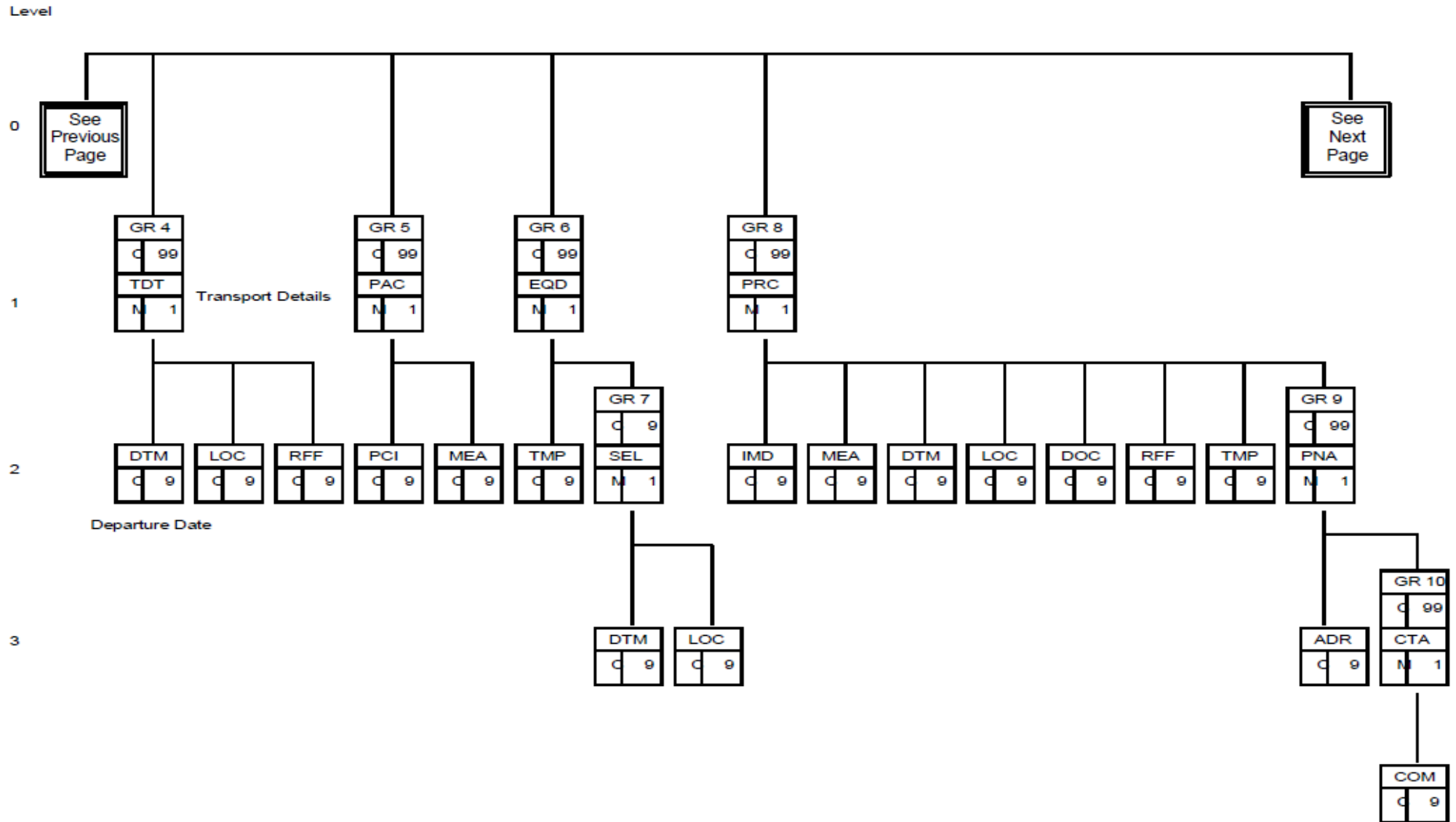


Figure 12 - EXDOC (Certificate Request) Adaptation of SANCRT Part 2

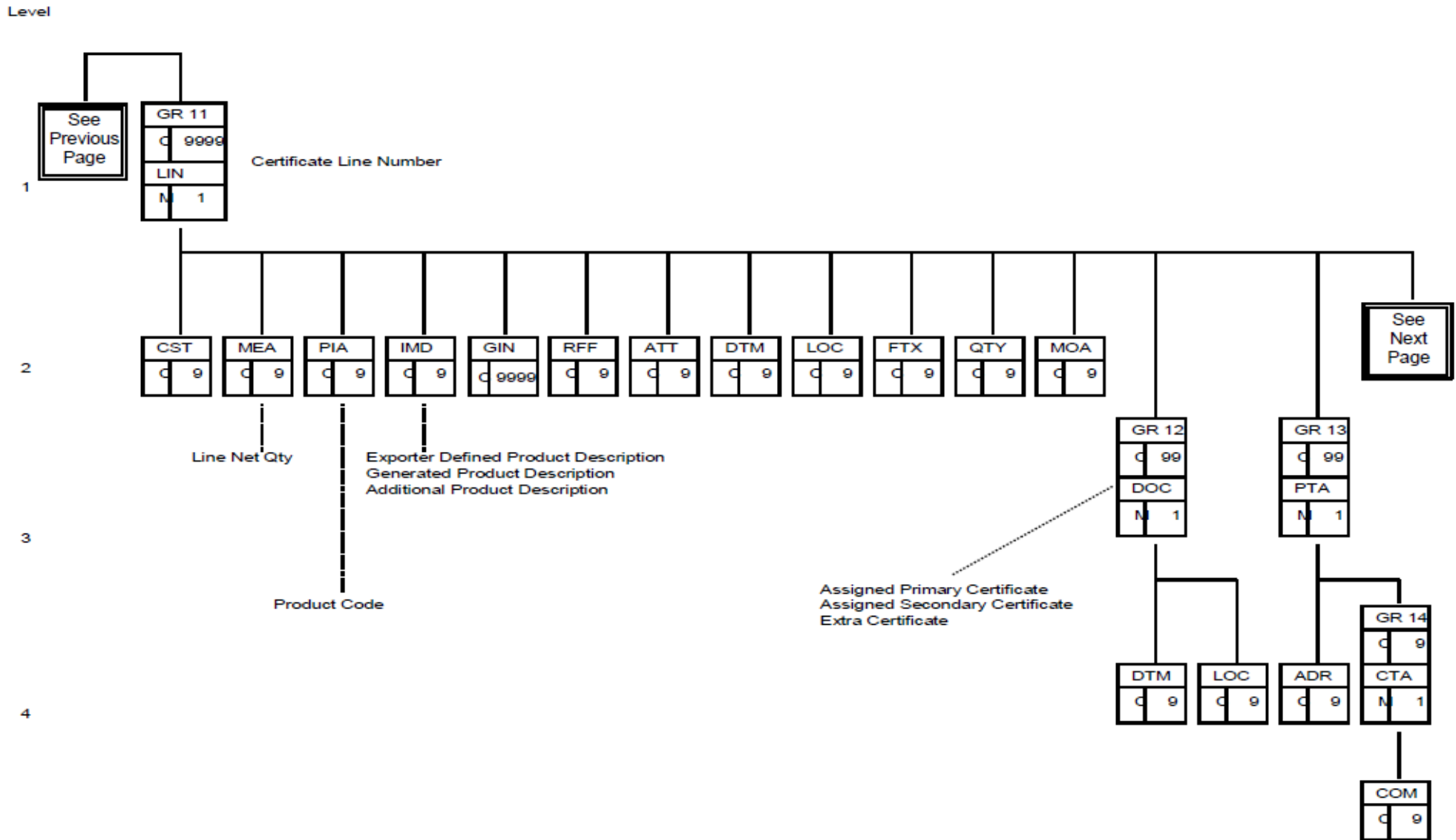


Figure 13 - EXDOC (Certificate Request) Adaptation of SANCRT Part 3

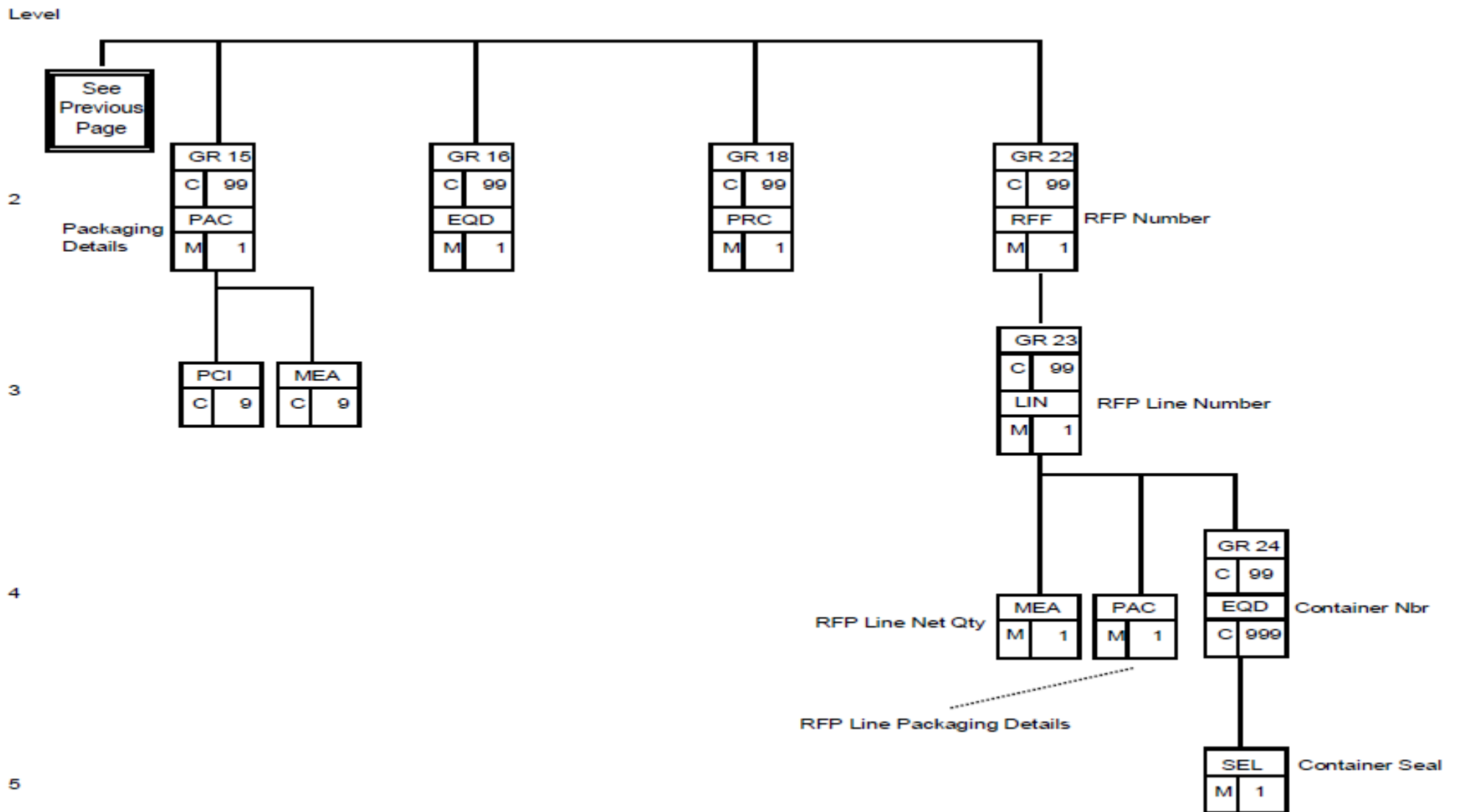


Figure 14 - EXDOC (Certificate Request) Adaptation of SANCRT Part 4

Certificate Request Data Item Mapping

Data Item	Group	Seg	Element	Description	Value/Comment
Certificate Header					
Remote Print Identification	HDR GR0	BGM	C002	Message Name	Filler (must be blank)
		BGM	C106/1004	EDI Message Id	Value
		BGM	1225	Certificate Reason	99 (Remote Print Ack)
Certificate Identification	HDR GR0	BGM	C002/1001	Commodity Type	Can only be set to 'G' (Grains) or 'H' (Horticulture)
		BGM	C002/1131	Code list qualifier	Filler (must be blank)
		BGM	C002/3055	Code list responsible agency, coded	AQ
		BGM	C002/1000	Priority	Must be set to 9
		BGM	C106/1004	Certificate Request ID	Value
		BGM	1225	Certificate reason	e.g. 9 (Cert Request), 98 (Cert Ack)
		BGM	4343	Certificate response type	AP (Accepted), RE (Rejected)
Certificate Status Timestamp	HDR GR0	DTM	C507/2005	Date/time/period qualifier	9 (Processing Date/Time)
		DTM	C507/2380	Date/time/period	Value, date of prescribed format
		DTM	C507/2379	Date/time/period format qualifier	204 (CCYYMMDDHHMMSS)
Certificate Requested Timestamp	HDR GR0	DTM	C507/2005	Date/time/period qualifier	137 (Document Date/Time)
		DTM	C507/2380	Date/time/period	Value, date of prescribed format
		DTM	C507/2379	Date/time/period format qualifier	204 (CCYYMMDDHHMMSS)
Certificate Request Status	HDR GR0	STS	C601/9015	Status type, coded	CRS (Certificate Request Status)
		STS	C601/1131	Code list qualifier	Filler (must be blank).
		STS	C601/3055	Code list responsible agency, coded	AQ
		STS	C555	Status Event	Filler (must be blank)
		STS	C556/9013	Status reason, coded	CRS (Certificate Request Status)
		STS	C556/1131	Code list qualifier	Filler (must be blank)
		STS	C556/3055	Code list responsible agency, coded	AQ
		STS	C556/9012	Status reason	Value. See Appendix E for a list of valid Certificate Request Status Codes
Discharge Port	HDR GR0	LOC	3227	Place/location qualifier	12 (Place/port of Discharge)
		LOC	C517/3225	Place/location identification	LOCODE (ccppp)

Version 9.9

Data Item	Group	Seg	Element	Description	Value/Comment
Destination City	HDR GR0	LOC	3227	Place/location qualifier	8 (Place of Destination)
		LOC	C517/3225	Place/location identification	Free format text value
Certificate Required Location	HDR GR0	LOC	3227	Place/location qualifier	91 (Place of Document Issue)
		LOC	C517/3225	Place/location identification	LOCODE of city associated with HC ptrs (ppp) OR registered EDI User Identifier
Exporter Certificate Reference	HDR GR0	RFF	C506/1153	Reference qualifier	ABE (Declarant's Reference)
		RFF	C506/1154	Reference number	Value
Notice	HDR GR0	FTX	4451	Text subject qualifier	AAO (Error Description)
		FTX	4453	Text Function Coded	Filler (must be blank)
		FTX	C107	Text Reference	Filler (must be blank)
		FTX	C108/4440	Certificate Notice	Free format text value (locally restricted to 2 repeats)
Import Permit Number	HDR GR1	DOC	C002/1001	Document name	911 (Import Licence)
			C503/1004	Import permit number	Free format text value (non-blank)
Import Permit Date	HDR GR1	DTM	C507/2005	Date/time/period qualifier	137 (Document Date)
			C507/2380	Import permit date	Value, date of prescribed format
			C507/2379	Date/time/period format qualifier	102 (CCYYMMDD)
Owner Exporter Number	HDR GR2	PNA	3035	Party Qualifier	EX (Exporter)
		PNA	C206/7402	Owner Exporter Number	Value
Consignee Name	HDR GR2	PNA	3035	Party qualifier	CN (Consignee)
		PNA	C206/7402	Consignee Reference Number	Value
		PNA	C082	Party Identification details	Filler (must be blank)
		PNA	3403	Name type, coded	Filler (must be blank)
		PNA	3397	Name status, coded	Filler (must be blank)
		PNA	C816/3405	Name component qualifier	10 (Full Name)
	PNA	C816/3398	Name component	Value	
Consignee Address	HDR GR2	ADR	C817	Address Usage	Filler (must be blank)
		ADR	C090/3477	Address format, coded	5 (Unstructured Street Address)
		ADR	C090/3286	Consignee Street	Free format text value (non-blank) (locally restricted to 2 repeats)
		ADR	3164	Consignee City	Free format text value (non-blank)

Version 9.9

Data Item	Group	Seg	Element	Description	Value/Comment
		ADR	3251	Consignee Postcode	Free format text value (non-blank)
		ADR	3207	Consignee Country, coded	Value (LOCODE validated) Must equal a Country Code (Appendix E)
		ADR	C819/3229	Country sub-entity identification	Filler (must be blank)
		ADR	C819/1131	Code list qualifier	Filler (must be blank)
		ADR	C819/3055	Code list responsible agency, coded	Filler (must be blank)
		ADR	C819/3228	Consignee State	Free format text value (non-blank)
Consignee TRACES Approval ID	HDR GR2	FTX	4451	Text subject qualifier	ZZZ (Mutually defined)
		FTX	4453	Text function, coded	4 (No action required)
		FTX	C107/4441	Free text identification	TRACESCONSIGNEEID
		FTX	C107/1131	Code list qualifier	160 (Party identification)
		FTX	C107/3055	Code list responsible agency, coded	AQ
		FTX	C108/4440	Consignee TRACES Approval ID	Value
		FTX	3453	Language, coded	Filler (must be blank)
Consignee Contact Details	HDR GR3	CTA	3139	Contact function	CN (Consignee)
Consignee Phone Number	HDR GR3	COM	C076/3148	Consignee Phone Number	Value
		COM	C076/3155	Communication channel qualifier	TE (Telephone)
Transport Details	HDR GR4	TDT	8051	Transport stage qualifier	12 (At Departure)
		TDT	8028	Voyage number, Conveyance reference number	Value
		TDT	C220/8067	Transport mode, Mode of transport, coded	1 (Maritime), 4 (Air), 5 (Mail)
		TDT	C228	Transport Means	Filler (must be blank)
		TDT	C040/3127	Carrier identification	Filler (must be blank)
		TDT	C040/1131	Code list qualifier	Filler (must be blank)
		TDT	C040/3055	Code list responsible agency	Filler (must be blank)
		TDT	C040/3128	Shipping company name, Carrier name	Value
		TDT	8101	Transit Direction	Filler (must be blank)
		TDT	C401	Excess Transportation Information	Filler (must be blank)
		TDT	C222/8213	Id. of means of transport identification	Filler (must be blank)
		TDT	C222/1131	Code list qualifier	Filler (must be blank)
		TDT	C222/3055	Code list responsible agency	Filler (must be blank)
		TDT	C222/8212	Vessel name, Id. of means of transport	Value

Data Item	Group	Seg	Element	Description	Value/Comment
Departure Date	HDR GR4	DTM	C507/2005	Date/time/period qualifier	136 (Departure Date/Time)
		DTM	C507/2380	Date/time/period	Value, date of prescribed format
		DTM	C507/2379	Date/time/period format qualifier	102 (CCYYMMDD)
Certificate Line					
Certificate Line Identifier	LIN GR11	LIN	1082	Line Number	Value
Line Net Quantity	LIN GR11	MEA	6311	Measure application qualifier	AAA (Line Item Measurement)
		MEA	C502/6313	Measure dimension coded	SQ (Shipped Quantity)
		MEA	C174/6411	Net unit	Value, must equal a measurement unit (Appendix E)
		MEA	C174/6314	Net amount	Numeric measurement value
Product Code	LIN GR11	PIA	4347	Product identification function qualifier	5 (Product Identification)
		PIA	C212/7140	Product code	Value
		PIA	C212/7143	Product code type	CC (Industry Commodity Code)
Exporter Defined Product Description	LIN GR11	IMD	7077	Item Description	Filler (must be blank)
			7081	Item Characteristic, Coded	Filler (must be blank)
		IMD	C273/7009	Item description identification	UHC (User Defined Certificate)
		IMD	C273/1131	Code list qualifier	Filler (must be blank)
		IMD	C273/3055	Code list responsible agency	Filler (must be blank)
		IMD	C273/7008	Certificate Product Description	Free format text value (non-blank) (5 repeats allowed)
Additional Product Description	LIN GR11	IMD	7077	Item Description	Filler (must be blank)
		IMD	7081	Item Characteristic, Coded	Filler (must be blank)
		IMD	C273/7009	Item description identification	AD (Additional)
		IMD	C273/1131	Code list qualifier	Filler (must be blank)
		IMD	C273/3055	Code list responsible agency	Filler (must be blank)
		IMD	C273/7008	Additional product description	Free format text value (non-blank) (5 repeats allowed)
Generated Certificate Product Description	LIN GR11	IMD		Item Description	Filler (must be blank)
		IMD		Item Characteristic, Coded	Filler (must be blank)
		IMD	C273/7009	Item description identification	GHC1 or GHC2 (System Generated)

Version 9.9

Data Item	Group	Seg	Element	Description	Value/Comment
		IMD	C273/1131	Code list qualifier	Filler (must be blank)
		IMD	C273/3055	Code list responsible agency	Filler (must be blank)
		IMD	C273/7008	Health certificate product description	Free format text value (non-blank) (5 repeats allowed)
Extra Certificate	LIN GR12	DOC	C002/1001	Document name	852 (Sanitary Certificate)
			C002/1131	Code list qualifier	Filler (must be blank)
			C002/3055	Code list responsible agency	Filler (must be blank)
			C002/1000	Extra Certificate template	Value
			C503/1004	Document/message number	Filler (must be blank)
			C503/1373	Document status	9 (To be printed)
Assigned Primary Certificate	LIN GR12	DOC	C002/1001	Document Name	852 (Primary Sanitary Certificate)
		DOC	C002/1131	Code list qualifier	Filler (must be blank)
		DOC	C002/3055	Code list responsible agency	Filler (must be blank)
		DOC	C002/1000	Health certificate template & endorsement.	Value
		DOC	C503/1004	Certificate Number	Value: Certificate Number
		DOC	C503/1373	Document Statue	1 (Accepted)
Assigned Secondary Certificate	LIN GR12	DOC	C002/1001	Document Name	3 (Associated Sanitary Certificate)
		DOC	C002/1131	Code list qualifier	Filler (must be blank)
		DOC	C002/3055	Code list responsible agency	Filler (must be blank)
		DOC	C002/1000	Health certificate template & endorsement.	Value
		DOC	C503/1004	Certificate Number	Value: Certificate Number
		DOC	C503/1373	Document Statue	1 (Accepted)
Packaging Details	LIN GR15	PAC	7224	Package quantity	Must be zero or empty if Package Type = "VR", otherwise must be non-zero
			C531/7075	Packaging level	3 (Outer)
			C202/7065	Package type	Value, must equal a Package Code (Appendix E) e.g. CT=Cartons
			C202/1131	Code list qualifier	Filler (must be blank)
			C202/3055	Code list responsible agency	AQ
RFP Number	LIN GR22	RFF	C506/1153	Reference Qualifier	DM (Document Number)
		RFF	C506/1154	RFP Number	Value: RFP Number
RFP Line Number	LIN GR23	LIN	1082	RFP Line Number	Value: Valid RFP Line Number

Version 9.9

Data Item	Group	Seg	Element	Description	Value/Comment
		LIN	1229	Action Request / Notification	Filler (must be blank)
		LIN	C212	Item Number Identification	Filler (must be blank)
		LIN	C829/5495	Sub-line indicator	1 (Sub-line information)
RFP Line Net Quantity	LIN GR23	MEA	6311	Measure Application Qualifier	AAA (Line Item Measurement)
		MEA	C502/6313	Measure Dimension Coded	SQ (Shipped Quantity).
		MEA	C174/6411	Net Unit	Must equal a Measurement Unit (See Appendix E for Metric Weight and Measurement Codes).
		MEA	C174/6314	Net Amount	Value
Packaging Details	LIN GR23	PAC	7224	Package quantity	Must be zero or empty if Package Type = "VR", otherwise must be non-zero
			C531/7075	Packaging level	3 (Outer)
			C202/7065	Package type	Value, must equal a Package Code (Appendix E) e.g. CT=Cartons
			C202/1131	Code list qualifier	Filler (must be blank)
			C202/3055	Code list responsible agency	AQ
Container Number	LIN GR24	EQD	8053	Equipment identifier	CN (Container)
			C237/8260	Container number	Non-blank with no embedded spaces
Container Seal	LIN GR25	SEL	9308	Seal Number	Free format text value (non-blank)

Appendix B: Message/Segment Summary

RFP Message/Segment Summary

The segment requirements for each function in the message suite processed by EXDOC are summarised in the table below.

In the table:

M	Mandatory
C	Conditional
O	Optional
Blank	Not required (and not allowed)

Note that, in the case of Lodge, Amend and Delete messages, segments marked Optional may in fact be Conditional or Mandatory depending on factors such as RFP Status, whether the Inspection Establishment is on AQA, and values contained in particular data items at the time of processing (including HC Print Indicator, Destination Country, Product Code and Cut Code). For example, whilst the PNA (Consignee) is marked Optional in some inbound message types, it is Mandatory if the HC Print Indicator is set to Not Required (in which case the department requires full information to enable the RFP to be finalised). Similarly, Consignee Representative, whilst marked Conditional because it is only required for certain destination countries, is Optional if HC Print Indicator is set to Manual, and so on.

The majority of segments in department initiated Reissue, Forward Advice, Copy Advice and Transfer Advice messages are Conditional, reflecting the fact that information may not be known.

Grp	Tag	Role	16 Or dr R FP	13 Lodg RFP	4 Amd RFP	5 MiniAmd RFP	1 Del RFP	11 RFP Ack	18 Re- Issue RFP	80 Fwd RFP Adv	31 Copy RFP Req	7 Copy RFP Adv	90 Tran RFP	91 Tran RFP Adv	92 Acpt RFP	93 Acpt RFP Adv
GR0	UNH		M	M	M	M	M	M	M	M	M	M	M	M	M	M
GR0	BGM	RFP Identification	M	M	M	M	M	M	M	M	M	M	M	M	M	M
GR0	DTM	RFP Status Timestamp						C	M	M		M		M		M
GR0	DTM	RFP Lodgement Timestamp						C	M	M		M		M		M
GR0	DTM	RFP Last Amend Timestamp						C	M	M		M		M		M
GR0	STS	RFP Compliance Status						C	M	M		M		M		M
GR0	STS	RFP Transfer Status						C	M	M		M		M		M
GR0	STS	Embargo Status						C	C	C		C		C		
GR0	LOC	Border Inspection Port	O	C	C				C	C		C		C		
GR0	LOC	Loading Port	O	O	C				C	C		C		C		
GR0	LOC	Discharge Port	O	O	O				C	C		C		C		
GR0	LOC	Destination City	O	O	O				C	C		C		C		
GR0	LOC	Destination Country	O	M					C	C		C		C		
GR0	LOC	Product Source Country	O	O	O				C	C		C		C		
GR0	LOC	Transit Country	O	O	O				C	C		C		C		
GR0	LOC	Certificate Required Location	O	O	O				C	C		C		C		
GR0	LOC	Print Region	O	C	C				C	C		C		C		
GR0	RFF	Exporter Reference	M	M	M		M	C	M	M	C	M		M	M	M
GR0	RFF	EPN						C	C	C		C		C		
GR0	RFF	ECN/EDN	O	O	O			C	C	C		C		C		
GR0	FTX	Exporter Declaration	O	C	C				C	C		C		C		
GR0	FTX	Inspector Comments	O	C	C				C	C		C		C		
GR0	FTX	Notify Party Text	O	O	O				C	C		C		C		
GR0	FTX	Letter of Credit Text	O	O	O				C	C		C		C		
GR0	FTX	Additional Information	O	O	O				C	C		C		C		
GR0	FTX	Origin/Catching Zone	O	O	O				C	C		C		C		
GR0	FTX	Lot Number	O	O	O				C	C		C		C		
GR0	FTX	Amended Information			C				C	C		C		C		
GR0	FTX	Embargo Message							C	C		C		C		
GR0	FTX	RFP Notice						C	C	C		C		C		C
GR0	FTX	Average Age of Animals	O	C	C				C	C		C		C		
GR0	FTX	AMLC Quota Year	O	O	O				C	C		C		C		
GR0	FTX	Quota Type	O	O	O				C	C		C		C		
GR0	MEA	Transshipment Storage Temperature	O	C	C				C	C		C		C		
GR0	MOA	FOB Currency Unit	O	C	O				C	C		C		C		
GR0	GIS	Certificate Print Indicator	O	C	C	C			M	M		M		M		
GR0	GIS	Separate Certificate Container Indicator	O	O	O				M	M		M		M		
GR0	GIS	Separate Certificate Marks Indicator	O	O	O				M	M		M		M		
GR0	GIS	Separate Certificate Packer Indicator	O	O	O				M	M		M		M		
GR0	GIS	Ship Stores Indicator	O	O	O				M	M		M		M		
GR0	GIS	RFP Forward Status	O	O	O	O			C	C		C		C		
GR0	GIS	AMLC Quota Indicator	O	O	O				C	C		C		C		
GR0	GIS	Customs Agent Indicator	O	O	O				M	M		M		M		
GR0	GIS	Declaration Estimate Indicator	O	C	C				C	C		C		C		

Grp	Tag	Role	16 Or dr R FP	13 Lodg RFP	4 Amd RFP	5 MiniAmd RFP	1 Del RFP	11 RFP Ack	18 Re- Issue RFP	80 Fwd RFP Adv	31 Copy RFP Req	7 Copy RFP Adv	90 Tran RFP	91 Tran RFP Adv	92 Acpt RFP	93 Acpt RFP Adv
GR0	GIS	Declaration of Compliance Indicator	O	C	O				C	C		C		C		
GR0	GIS	True and Complete Indicator	O	C	O				C	C		C		C		
GR0	GIS	Imported Product Flag	O	C	O				C	C		C		C		
GR0	GIS	Product Use Indicator	O	O	O				C	C		C		C		
GR0	GIS	Cancel Transfer Indicator											C			
GR1	DOC	Import Permit Number	O	O	O				C	C		C		C		
GR1	DTM	Import Permit Date	O	O	O				C	C		C		C		
GR1	DOC	Recommendation Letter Number	O	O	O				C	C		C		C		
GR1	DTM	Recommendation Letter Date	O	O	O				C	C		C		C		
GR2	PNA	Owner Exporter Number	M	M	M	M	M	C	M	M	C	M	M	M	M	M
GR3	CTA	Forwarder EDI User Identifier	O	O	O	O			C	C		C				
GR2	PNA	Consignee Name	O	O	O	O			C	C		C		C		
GR2	ADR	Consignee Address	O	O	O	O			C	C		C		C		
GR2	FTX	Consignee TRACES Approval ID	O	C	O	O			C	C		C		C		
GR3	CTA	Consignee Contact Details	O	O	O	O			C	C		C		C		
GR3	COM	Consignee Phone Number	O	O	O	O			C	C		C		C		
GR2	PNA	Consignee Representative Name	O	C	C	C			C	C		C		C		
GR3	CTA	Consignee Representative Name	O	C	C	C			C	C		C		C		
GR2	PNA	Person Responsible for Consignment	O	O	O				C	C		C		C		
GR2	ADR	Person Responsible Address	O	O	O				C	C		C		C		
GR3	CTA	Person Responsible Contact Details	O	O	O				C	C		C		C		
GR3	COM	Person Responsible Phone Number	O	O	O				C	C		C		C		
GR2	PNA	Place of Destination	O	O	O				C	C		C		C		
GR2	ADR	Place of Destination Address	O	O	O				C	C		C		C		
GR3	CTA	Place of Destination Contact Details	O	O	O				C	C		C		C		
GR3	COM	Place of Destination Phone Number	O	O	O				C	C		C		C		
GR2	PNA	Transferee Exporter Number							C	C		C	M			
GR3	CTA	Transferee EDI User Identifier							C	C		C	M			
GR4	TDT	Transport Details: Mode, Vessel, Voyage, Company	O	M	M				C	C		C		C		
GR4	DTM	Departure Date	O	O	O				C	C		C		C		
GR6	EQD	Vessel Hold	O	C	C				C	C		C		C		
GR7	SEL	Vessel Hold Seals	O	C	C				C	C		C		C		
GR8	PRC	Inspection Process	O	C	C	C			C	C		C		C		
GR8	DTM	Inspection Requested Date	O	O	O				C	C		C		C		
GR8	DTM	RFP Authorised Start Date	O	O	O				C	C		C		C		
GR8	DTM	RFP Authorised End Date	O	O	O				C	C		C		C		
GR9	PNA	RFP Authorisation Establishment Number	O	C	O				C	C		C		C		

Grp	Tag	Role	16 Or dr R FP	13 Lodg RFP	4 Amd RFP	5 MiniAmd RFP	1 Del RFP	11 RFP Ack	18 Re- Issue RFP	80 Fwd RFP Adv	31 Copy RFP Req	7 Copy RFP Adv	90 Tran RFP	91 Tran RFP Adv	92 Acpt RFP	93 Acpt RFP Adv
GR9	PNA	RFP Authorising Officer Identifier	O	C	C	C			C	C		C		C		
GR8	PRC	Ships Hold Inspection Process	O	C	C				C	C		C		C		
GR8	IMD	Compartments	O	C	C				C	C		C		C		
GR8	IMD	Inspection Port	O	C	C				C	C		C		C		
GR8	DTM	Ships Hold Inspection Date	O	C	C				C	C		C		C		
GR8	PRC	Storage Process	O	C	C				C	C		C		C		
GR9	PNA	Storage Establishment Number	O	C	C				C	C		C		C		
GR9	PNA	Approved Certifier	O	C	C				C	C		C		C		
GR11	LIN	Line Identifier	O	M	M	M		C	C	C		C		C		
GR11	MEA	Line Net Quantity	O	O	O				C	C		C		C		
GR11	MEA	Line Imperial Net Weight	O	C	C				C	C		C		C		
GR11	MEA	Line Metric Gross Weight	O	C	C				C	C		C		C		
GR11	MEA	Drained Weight	O	O	O				C	C		C		C		
GR11	MEA	Line Customs Weight	O	C	C				C	C		C		C		
GR11	MEA	Percentage of milk protein	O	O	O				C	C		C		C		
GR11	MEA	Percentage of milk fat	O	O	O				C	C		C		C		
GR11	MEA	Total weight of milk protein in mixtures	O	O	O				C	C		C		C		
GR11	MEA	Total weight of milk fat in mixtures	O	O	O				C	C		C		C		
GR11	MEA	BeefVeal Weight	O	C	C				C	C		C		C		
GR11	MEA	Chemical Lean Percentage	O	C	C				C	C		C		C		
GR11	PIA	Product Code	O	M					C	C		C		C		
GR11	PIA	Cut Type Code	O	C					C	C		C		C		
GR11	PIA	EAN – 13 Number	O	O	O				C	C		C		C		
GR11	PIA	AHECC Code	O	C	C				C	C		C		C		
GR11	PIA	Dominant Product	O	C	C				C	C		C		C		
GR11	PIA	Additional Products	O	C	C				C	C		C		C		
GR11	IMD	RFP Line Item Description	O	C	C				C	C		C		C		
GR11	IMD	Exporter Defined Product Description	O	C	C	C			C	C		C		C		
GR11	IMD	Generated Product Description						C	C	C		C		C		
GR11	IMD	Additional Product Description	O	O	O	O			C	C		C		C		
GR11	IMD	EAN – 13 Description	O	O	O				C	C		C		C		
GR11	IMD	Product Condition	O	C	C				C	C		C		C		
GR11	IMD	Product Part	O	C	C				C	C		C		C		
GR11	IMD	Product Quality Qualifier	O	C	C	C			C	C		C		C		
GR11	IMD	Product Location Qualifier	O	C	C	C			C	C		C		C		
GR11	IMD	Nature of Commodity	O	O	O				C	C		C		C		
GR11	IMD	Treatment Type	O	O	O				C	C		C		C		
GR11	GIN	Batch Code	O	C	C				C	C		C		C		
GR11	RFF	Label Approval Number	O	C	C	C			C	C		C		C		
GR11	RFF	Export Scheme Code	O	C	C				C	C		C		C		
GR11	RFF	AMLC Quota Approval Reference	O	O	O				C	C		C		C		
GR11	ATT	Label Approval Indicator	O	O	O				C	C		C		C		
GR11	ATT	Ungraded Product Indicator	O	O	O				C	C		C		C		
GR11	ATT	Halal Product Indicator	O	C	C				C	C		C		C		

Grp	Tag	Role	16 Or dr R FP	13 Lodg RFP	4 Amd RFP	5 MiniAmd RFP	1 Del RFP	11 RFP Ack	18 Re- Issue RFP	80 Fwd RFP Adv	31 Copy RFP Req	7 Copy RFP Adv	90 Tran RFP	91 Tran RFP Adv	92 Acpt RFP	93 Acpt RFP Adv
GR11	ATT	Final Consumer	O	C	C				C	C		C		C		
GR11	ATT	Fish Water Indicator	O	C	C				C	C		C		C		
GR11	DTM	Durability Start Date	O	C	C				C	C		C		C		
GR11	DTM	Durability End Date	O	C	C				C	C		C		C		
GR11	DTM	Salting Date	O	C	C				C	C		C		C		
GR11	LOC	Product Source State	O	C	C				C	C		C		C		
GR11	LOC	Product Country of Origin	O	C	C				C	C		C		C		
GR11	FTX	Additional Declaration Text	O	O	O				C	C		C		C		
GR11	FTX	Coded Statement	O	O	O				C	C		C		C		
GR11	FTX	Free Text Statement	O	O	O				C	C		C		C		
GR11	FTX	Import Authority Code	O	O	O				C	C		C		C		
GR11	FTX	Client Line Item Identifier	O	O	O				C	C		C		C		
GR11	MOA	FOB Amount	O	C	O				C	C		C		C		
GR12	DOC	Requested Health Certificate Template Endorsement	O	O	O											
GR12	DOC	Extra Certificate	O	O	O	O			C	C		C		C		
GR12	DOC	Assigned Primary Certificate						C	C	C		C		C		
GR12	DOC	Assigned Secondary Certificate						C	C	C		C		C		
GR12	DOC	Related Export Permit Number	O	C	C				C	C		C		C		
GR12	DTM	Related Export Permit Date	O	C	C				C	C		C		C		
GR13	PNA	AMLC Performance Exporter Number	O	C	C				C	C		C		C		
GR15	PAC	Packaging Level, Number, Type	O	M	M	M			C	C		C		C		
GR15	PCI	Shipping Marks	O	C	C				C	C		C		C		
GR15	MEA	Package Measurement	O	C	C				C	C		C		C		
GR16	EQD	Container Number	O	O	O				C	C		C		C		
GR16	MEA	IMA1 Net Weight	O	O	O				C	C		C		C		
GR16	MEA	IMA1 Gross Weight	O	O	O				C	C		C		C		
GR16	IMD	IMA1 Product Description	O	O	O				C	C		C		C		
GR16	GIN	IMA1 Serial Number	O	O	O				C	C		C		C		
GR16	GIN	IMA1 Invoice Number	O	O	O				C	C		C		C		
GR16	DTM	IMA1 Invoice Date	O	O	O				C	C		C		C		
GR16	FTX	IMA1 Quota Year	O	O	O				C	C		C		C		
GR17	SEL	Container Seal	O	C	C				C	C		C		C		
GR17	SEL	Container Seal Start Number	O	C	C				C	C		C		C		
GR17	SEL	Container Seal End Number	O	C	C				C	C		C		C		
GR18	PRC	Treatment Details	C	C	C				C	C		C		C		
GR18	IMD	Treatment Information	C	C	C				C	C		C		C		
GR18	IMD	Treatment Active Ingredient	O	C	C				C	C		C		C		
GR18	MEA	Treatment Concentration	O	C	C				C	C		C		C		
GR18	MEA	Treatment Duration	O	C	C				C	C		C		C		
GR18	MEA	Treatment Temperature	O	C	C				C	C		C		C		
GR18	DTM	Treatment Date	C	C	C				C	C		C		C		
GR18	DTM	Treatment End Date	C	C	C				C	C		C		C		
GR18	PRC	Harvest Processing Details	O	C					C	C		C		C		
GR18	DTM	Harvest Start Date	O	C					C	C		C		C		
GR18	DTM	Harvest End Date	O	O					C	C		C		C		
GR18	DTM	Depuration Date	O	C					C	C		C		C		

Grp	Tag	Role	16 Or dr R FP	13 Lodg RFP	4 Amd RFP	5 MiniAmd RFP	1 Del RFP	11 RFP Ack	18 Re- Issue RFP	80 Fwd RFP Adv	31 Copy RFP Req	7 Copy RFP Adv	90 Tran RFP	91 Tran RFP Adv	92 Acpt RFP	93 Acpt RFP Adv
GR18	LOC	Harvest Area/Lease Number	O	C					C	C		C		C		
GR19	PNA	Depuration Plant Number	O	C					C	C		C		C		
GR18	PRC	Production Processing Details	O	C					C	C		C		C		
GR18	DTM	Process Start Date	O	C					C	C		C		C		
GR18	DTM	Process End Date	O	O					C	C		C		C		
GR19	PNA	Processing Establishment Number/Name	O	C					C	C		C		C		
GR19	ADR	Processing Establishment Address	O	C					C	C		C		C		
GR20	PNA	Processing Establishment Contact Details	O	C					C	C		C		C		
GR20	PNA	Processing Establishment Telephone Number	O	C					C	C		C		C		
GR11	DTM	Catch Start Date	O	C	C				C	C		C		C		
GR11	DTM	Catch End Date	O	C	C				C	C		C		C		
GR0	UNT	Message Trailer	M	M	M	M	M	M	M	M	M	M	M	M	M	M

Certificate Message/Segment Summary

The segment requirements for each function in the message suite processed by EXDOC are summarised in the table below. In the table:

M	Mandatory
C	Conditional
O	Optional
Blank	Not required (and not allowed)

Grp	Tag	Role	9 Certificate Request	98 Certificate Ack	99 Remote Print Ack
GR0	UNH	Message Header	M	M	M
GR0	BGM	Cert Identification	M	M	M
GR0	DTM	Certificate Status Timestamp		C	
GR0	DTM	Certificate Requested Timestamp		C	
GR0	STS	Certificate Request Status		C	
GR0	LOC	Discharge Port	O		
GR0	LOC	Destination City	M		
GR0	LOC	Certificate Required Location	C		
GR0	RFF	Exporter Cert Reference	M	M	
GR0	FTX	Notice		C	
GR0	GIS	Separate Certificate Container Indicator	O		
GR0	GIS	Separate Certificate Marks Indicator	O		
GR0	GIS	Separate Certificate Packer Indicator	O		
GR1	DOC	Import Permit Number	O		
GR1	DTM	Import Permit Date	O		
GR2	PNA	Owner Exporter Number	M	C	
GR2	PNA	Consignee Name	M		
GR2	ADR	Consignee Address	O		
GR2	FTX	Consignee TRACES Approval ID	C		
GR3	CTA	Consignee Contact Details	O		
GR3	COM	Consignee Phone Number	O		
GR3	CTA	Consignee Representative Name	O		
GR4	TDT	Transport Details: Mode, Vessel, Voyage, Company	M		
GR4	DTM	Departure Date	O		
GR11	LIN	Certificate Line Identifier	M	C	
GR11	MEA	Line Net Quantity	M		
GR11	PIA	Product Code	M		
GR11	IMD	Exporter Defined Product Description	C		
GR11	IMD	Additional Product Description	O		
GR11	IMD	Generated Product Description		C	
GR12	DOC	Extra Certificate	O		
GR12	DOC	Assigned Primary Certificate		C	
GR12	DOC	Assigned Secondary Certificate		C	
GR15	PAC	Packaging Details	M		
GR22	RFF	RFP Number	M		
GR23	LIN	RFP Line Number	M		

Grp	Tag	Role	9 Certificate Request	98 Certificate Ack	99 Remote Print Ack
GR23	MEA	RFP Line Net Quantity	M		
GR23	PAC	Packaging Details	M		
GR24	EQD	Container Number	O		
GR24	SEL	Container Seal	O		
GR0	UNT	Message Trailer	M	M	M

Appendix C: Change Permissions Matrix

Updating RFP Details

The following matrix identifies data that can be amended by the exporter (or exporter agent). The changes allowed depend on the status and commodity of the RFP and whether the EDI User submitting the amendment has AQA accreditation. For example, the matrix indicates that the Compartments data element can only be modified for a Grain RFP and only at the ORDR, INIT and FINL RFP Statuses.

In general, the permissions are designed to prevent amendment of data that has been used in an EXDOC event. For example, data that affects inspection and authorisation cannot be amended once the RFP is authorised unless the submitter is AQA authorised. Additional data supplied for inclusion on Certificates cannot be amended once the Health Certificates have been produced.

Any data affecting EXDOC checks on the ability of an Establishment to produce product for the nominated period and destination country (e.g. Establishment Numbers, Product Codes and Destination Country) is subject to more stringent permissions – as a rule this type of data cannot be amended following the formal lodgement of an RFP.

Data elements not listed in the Permissions matrix but defined in the SANCRT message cannot be amended by the exporter. These mainly comprise EXDOC or ICS generated control and status data elements.

No updates are allowed by the exporter when the RFP has a status of EMHC, SUSP, or CANC. If an RFP is in Transfer, updates are limited to the Transferee Exporter who can accept or reject the transfer request, or the Transferor Exporter who can cancel the request.

No updates are allowed while the RFP is pending an ECN/EDN request from Customs (up until the ECN/EDN request timeout occurs).

No updates are allowed on an RFP once it has reached a status of HCRD and at least one certificate has been produced for it, if the RFP is specified as using the Certificate Request Function (CRF) (that is, if the RFP has a Certificate Print Indicator set to 'C'). This restriction is overridden if the data element can be changed at COMP.

CHANGES PERMITTED BY EXPORTER						
RFP HEADER						
DATA ELEMENT	ORDR	INIT	FINL	INSP	HCRD	COMP
Additional Information	DI	DI	DI	DI	DI	
Amended Information				GH	GH	
AMLC Quota Indicator	DM	DM	DM	DM	DM	
AMLC Quota Year	DM	DM	DM	DM	DM	
Approved Certifier	M	M	M	M	M	
Print Region	DEFGHIMSW	DEFGHIMSW	DEFGHIMSW	DEFGHIMSW	DEFGHIMSW	
Average Age of Animals	M	M	M	M	M	
Border Inspection Port	DEFIMSW	DEFIMSW	DEFIMSW	DEFIMSW	DEFIMSW	
Commodity Type	DEFGHIMSW					
Compartments	G	G	G			

CHANGES PERMITTED BY EXPORTER						
RFP HEADER						
DATA ELEMENT	ORDR	INIT	FINL	INSP	HCRD	COMP
Consignee City(see note 6)	DEFGHIMSW	DEFGHIMSW	DEFGHIMSW	DEFGHIMSW	DEFGHIMSW	HG
Consignee Country(see note 6)	DEFGHIMSW	DEFGHIMSW	DEFGHIMSW	DEFGHIMSW	DEFGHIMSW	HG
Consignee Name (see note 6)	DEFGHIMSW	DEFGHIMSW	DEFGHIMSW	DEFGHIMSW	DEFGHIMSW	HG
Consignee Phone Number (see note 6)	DEFGHIMSW	DEFGHIMSW	DEFGHIMSW	DEFGHIMSW	DEFGHIMSW	HG
Consignee Postcode (see note 6)	DEFGHIMSW	DEFGHIMSW	DEFGHIMSW	DEFGHIMSW	DEFGHIMSW	HG
Consignee Representative Name	DEFIMSW	DEFIMSW	DEFIMSW	DEFIMSW	DEFIMSW	
Consignee State (see note 6)	DEFGHIMSW	DEFGHIMSW	DEFGHIMSW	DEFGHIMSW	DEFGHIMSW	HG
Consignee Street (see note 6)	DEFGHIMSW	DEFGHIMSW	DEFGHIMSW	DEFGHIMSW	DEFGHIMSW	HG
Consignee TRACES Approval ID	DEFGHIMSW	DEFGHIMSW	DEFGHIMSW	DEFGHIMSW	DEFGHIMSW	
Customs Agent Indicator	DEFGHIMSW	DEFGHIMSW	DEFGHIMSW	DEFGHIMSW	DEFGHIMSW	
Declaration of Compliance Indicator	DEFGHM					
Departure Date (see note 6)	DEFGHIMSW	DEFGHIMSW	DEFGHIMSW	DEFIMSW	DEFIMSW	H
Destination City	DEFGHIMSW	DEFGHIMSW	DEFGHIMSW	DEFGHIMSW	DEFGHIMSW	
Destination Country	DEFGHIMSW					
Discharge Port (see note 6)	DEFGHIMSW	DEFGHIMSW	DEFGHIMSW	DEFGHIMSW	DEFGHIMSW	HG
ECN/EDN	DEFGHIMSW	DEFGHIMSW	DEFGHIMSW	DEFGHIMSW	DEFGHIMSW	
Exporter Declaration	DEFGHIMSW	DEFGHIMSW	DEFGHIMSW	DEFGHIMSW	DEFGHIMSW	
Exporter Reference	DEFGHIMSW	DEFGHIMSW	DEFGHIMSW	DEFGHIMSW	DEFGHIMSW	DEFGHIMSW
FOB Currency Unit	DEFGHIMSW	DEFGHIMSW	DEFGHIMSW	DEFGHIMSW	DEFGHIMSW	DEFGHIMSW
Forwardee EDI User Identifier	DEFGHIMSW	DEFGHIMSW	DEFGHIMSW	DEFGHIMSW	DEFGHIMSW	
Certificate Print Indicator	DEFGHIMSW	DEFGHIMSW	DEFGHIMSW	DEFGHIMSW	DEFGHIMSW	
Certificate Required Location	DEFGHIMSW	DEFGHIMSW	DEFGHIMSW	DEFGHIMSW	DEFGHIMSW	
Import Permit Date	DEFIMSW	DEFIMSW	DEFIMSW	DEFIMSW	DEFIMSW	
Import Permit Number	DEFIMSW	DEFIMSW	DEFIMSW	DEFIMSW	DEFIMSW	
Import Permit Date	GH	GH	GH	GH	GH	
Import Permit Number (see note 5)	GH	GH	GH	GH	GH	
Recommendation Letter Date	M	M	M	M	M	
Recommendation Letter Number	M	M	M	M	M	
Imported Product Flag	DF					
Inspection Port	G	G	G			

CHANGES PERMITTED BY EXPORTER						
RFP HEADER						
DATA ELEMENT	ORDR	INIT	FINL	INSP	HCRD	COMP
Inspector Comments (see note 1)	DEFGHIM	DEFGHIM	DEFGHIM	DEFGHIM	DEFGHIM	
Inspection Process	DEFGHIMS					
Inspection Requested Date	DEFIM	DEFIM	DEFIM			
Letter of Credit Text	SW	SW	SW	SW	SW	
Loading Port (see note 6)	DEFGHIMSW	DEFGHIMSW	DEFGHIMSW	DEFGHIMSW	DEFGHIMSW	HG
Lot Number	GH	GH	GH			
Notify Party Text	DIMSW	DIMSW	DIMSW	DIMSW	DIMSW	
Pack Date	SW	SW	SW	SW	SW	
Person Responsible City	DEFGHIMSW	DEFGHIMSW	DEFGHIMSW	DEFGHIMSW	DEFGHIMSW	
Person Responsible Country	DEFGHIMSW	DEFGHIMSW	DEFGHIMSW	DEFGHIMSW	DEFGHIMSW	
Person Responsible Name	DEFGHIMSW	DEFGHIMSW	DEFGHIMSW	DEFGHIMSW	DEFGHIMSW	
Person Responsible Phone Number	DEFGHIMSW	DEFGHIMSW	DEFGHIMSW	DEFGHIMSW	DEFGHIMSW	
Person Responsible Postcode	DEFGHIMSW	DEFGHIMSW	DEFGHIMSW	DEFGHIMSW	DEFGHIMSW	
Person Responsible Street	DEFGHIMSW	DEFGHIMSW	DEFGHIMSW	DEFGHIMSW	DEFGHIMSW	
Place of Destination Approval Number	DEFGHIMSW	DEFGHIMSW	DEFGHIMSW	DEFGHIMSW	DEFGHIMSW	
Place of Destination City	DEFGHIMSW	DEFGHIMSW	DEFGHIMSW	DEFGHIMSW	DEFGHIMSW	
Place of Destination Country	DEFGHIMSW	DEFGHIMSW	DEFGHIMSW	DEFGHIMSW	DEFGHIMSW	
Place of Destination Name	DEFGHIMSW	DEFGHIMSW	DEFGHIMSW	DEFGHIMSW	DEFGHIMSW	
Place of Destination Phone Number	DEFGHIMSW	DEFGHIMSW	DEFGHIMSW	DEFGHIMSW	DEFGHIMSW	
Place of Destination Postcode	DEFGHIMSW	DEFGHIMSW	DEFGHIMSW	DEFGHIMSW	DEFGHIMSW	
Place of Destination Street	DEFGHIMSW	DEFGHIMSW	DEFGHIMSW	DEFGHIMSW	DEFGHIMSW	
Place of Destination Type Identifier	DEFGHIMSW	DEFGHIMSW	DEFGHIMSW	DEFGHIMSW	DEFGHIMSW	
Product Source Country	DEFGHIMSW	DEFGHIMSW	DEFGHIMSW	DEFGHIMSW	DEFGHIMSW	
Product Use Indicator	DIMSW	DIMSW	DIMSW	DIMSW	DIMSW	
Region Code	DEFIMSW	DEFIMSW	DEFIMSW	DEFIMSW	DEFIMSW	
Region Code (See note 5)	GH	GH	GH	GH	GH	
RFP Authorisation Establishment Number	DEFGHIMS	HG	HG			
RFP Authorised Start Date (See note 2)	GH	GH	GH	GH		
RFP Authorised End Date (See note 2)	EFGHIMSW	EFGHIMSW	EFGHIMSW	EFGHIMSW		

CHANGES PERMITTED BY EXPORTER						
RFP HEADER						
DATA ELEMENT	ORDR	INIT	FINL	INSP	HCRD	COMP
RFP Authorising Officer Identifier (See notes 3 & 4)	DEFGHIM	DEFGHIM	DEFGHIM			
RFP Forward Status	DEFGHIMSW	DEFGHIMSW	DEFGHIMSW	DEFGHIMSW	DEFGHIMSW	
Seal Number (Vessel Hold) (See note 1)	DEFIMSW	DEFIMSW	DEFIMSW	DEFIMSW	DEFIMSW	
Separate HC Container Indicator	DEFIMSW	DEFIMSW	DEFIMSW	DEFIMSW	DEFIMSW	
Separate HC Marks Indicator	DEFIMSW	DEFIMSW	DEFIMSW	DEFIMSW	DEFIMSW	
Separate HC Packer Indicator	DEFIMSW	DEFIMSW	DEFIMSW	DEFIMSW	DEFIMSW	
Ships Hold Inspection Date	G	G	G	G	G	
Ship Stores Indicator	DEFGHIM					
Shipping Company or Carrier Name	DEFGHIMSW	DEFGHIMSW	DEFGHIMSW	DEFGHIMSW	DEFGHIMSW	
Storage Establishment Number	FDEIMSW					
Transferee Exporter Number	DEFGHIMSW	DEFGHIMSW	DEFGHIMSW	DEFGHIMSW	DEFGHIMSW	
Transit Country	DEFGHIMSW	DEFGHIMSW	DEFGHIMSW	DEFGHIMSW	DEFGHIMSW	
Transshipment Storage Temperature	DEFIM	DEFIM	DEFIM	DEFIM	DEFIM	
Transport Mode	DEFGHIMSW	DEFGHIMSW	DEFGHIMSW	DEFGHIMSW	DEFGHIMSW	
True and Complete Indicator	DEFM					
Vessel Name(see note 6)	DEFGHIMSW	DEFGHIMSW	DEFGHIMSW	DEFGHIMSW	DEFGHIMSW	H
Voyage/Flight Number(see note 6)	DEFGHIMSW	DEFGHIMSW	DEFGHIMSW	DEFGHIMSW	DEFGHIMSW	H

Notes:

- 1 Data Element can only be changed at INIT, FINL, INSP and HCRD if the person nominated, as the Inspector, the EDI User and the Inspection Establishment are AQA authorised.
- 2 Data Element can only be changed at FINL and INSP if the person nominated, as the Inspector, the EDI User and the Inspection Establishment are AQA authorised.
- 3 Data Element can only be changed at INIT and FINL if the person nominated, as the Inspector, the EDI User and the Inspection Establishment are AQA authorised.
- 4 Data Element can only be inserted.
- 5 Data Element can only be changed at INSP and HCRD if the person nominated, as the Inspector, the EDI User and the Inspection Establishment are AQA authorised.
- 6 Data Element can only be changed at COMP if all the RFP lines use the specified template code NC1.

CHANGES PERMITTED BY EXPORTER						
RFP LINE						
DATA ELEMENT	ORDR	INIT	FINL	INSP	HCRD	COMP
Additional Declaration Text	GH	GH	GH	GH	GH	
Additional Product Description	DEFIMSW	DEFIMSW	DEFIMSW	DEFIMSW	DEFIMSW	
Additional Product Description (See note 1)	GH	GH	GH	GH	GH	
Additional Products	M	M	M	M	M	
AHECC Code	DEFGHIMSW	DEFGHIMSW	DEFGHIMSW	DEFGHIMSW	DEFGHIMSW	
AMLC Performance Exporter Number	DM	DM	DM	DM	DM	
AMLC Quota Approval Reference	M	M	M	M	M	
Batch Code	DIM	DIM	DIM	DIM	DIM	
Beef/Veal Weight Amount	M	M	M	M	M	
Catch Start Date	F	F	F	F	F	
Catch End Date	F	F	F	F	F	
Certificate Product Description	DEFGHIMSW	DEFGHIMSW	DEFGHIMSW	MFGHSW	MFGHSW	
Certificate Template & Endorsement	DEFIMSW	DEFIMSW	DEFIMSW	DEFIMSW	DEFIMSW	
Certificate Template & Endorsement (See note 1)	GH	GH	GH	GH	GH	
Chemical Lean Percentage	M	M	M	M	M	
Client Line Item Identifier	DEFGHIMSW	DEFGHIMSW	DEFGHIMSW	DEFGHIMSW	DEFGHIMSW	
Coded Statement	GH	GH	GH	GH	GH	
Container Number (See note 1, 6 and 7)	DEFGHIMSW	DEFGHIMSW	DEFGHIMSW	DEFGHIMSW	DEFGHIMSW	
Cut Code	DEFGHIMSW					
Depuration Date	F	F	F	F	F	
Depuration Plant Number	F	F	F	F	F	
Dominant Product	M	M	M	M	M	
Drained Weight Amount	F	F	F	F	F	

CHANGES PERMITTED BY EXPORTER						
RFP LINE						
DATA ELEMENT	ORDR	INIT	FINL	INSP	HCRD	COMP
Durability End Date	DEFIM	DEFIM	DEFIM	DEFIM	DEFIM	
Durability Start Date	DEFIM	DEFIM	DEFIM	DEFIM	DEFIM	
EAN – 13 Number	D	D	D	D	D	
EAN – 13 Description	D	D	D	D	D	
Establishment Country, coded	F	F	F	F	F	
Export Scheme Code	DEFGHIMSW	DEFGHIMSW	DEFGHIMSW	DEFGHIMSW	DEFGHIMSW	
Extra Certificate	DEFSMI	DEFSMI	DEFSMI	DEFSMI	DEFSMI	
Extra Certificate (See note 1)	GH	GH	GH	GH	GH	
Final Consumer	DEFGHIMSW	DEFGHIMSW	DEFGHIMSW	DEFGHIMSW	DEFGHIMSW	
FOB Amount	DEFGHIMSW	DEFGHIMSW	DEFGHIMSW	DEFGHIMSW	DEFGHIMSW	DEFGHIMSW
Free Text Statement	H	H	H	H	H	
Halal Product Indicator	M	M	M			
Fish Water Indicator	F	F	F			
Harvest Area/Lease Number	F	F	F	F	F	
Harvest Date	F	F	F	F	F	
IMA1 Gross Weight	D	D	D	D	D	
IMA1 Invoice Number	D	D	D	D	D	
IMA1 Invoice Date	D	D	D	D	D	
IMA1 Net Weight	D	D	D	D	D	
IMA1 Product Description	D	D	D	D	D	
IMA1 Quota Year	D	D	D	D	D	
IMA1 Serial Number	D	D	D	D	D	
Import Authority Code	DEFGHIMSW	DEFGHIMSW	DEFGHIMSW	EFGHIMSW	EFGHIMSW	
Inner Package Details (See generic Package fields)						
RFP Line Item Description (See note 1)	DEFGHIM	DEFGHIM	DEFGHIM	DEFGHIM	DEFGHIM	

CHANGES PERMITTED BY EXPORTER						
RFP LINE						
DATA ELEMENT	ORDR	INIT	FINL	INSP	HCRD	COMP
Intermediate Package Details (See generic Package fields)						
Label Approval Number	M	M	M	M	M	
Label Approval Indicator	M	M	M	M	M	
Line Customs Weight Amount	DGHS	DGHS	DGHS	DGHS	DGHS	
Line Customs Weight Unit	DGHS	DGHS	DGHS	DGHS	DGHS	
Line Imperial Net Weight Amount	EFIM	EFIM	EFIM	EFIM	EFIM	
Line Imperial Net Weight Unit	EFIM	EFIM	EFIM	EFIM	EFIM	
Line Metric Gross Weight Amount (See note 3)	DEFGHIMSW	DEFGHIMSW	DEFGHIMSW	DEFGHIMSW	DEFGHIMSW	H
Line Metric Gross Weight Unit	DEFGHIMSW	DEFGHIMSW	DEFGHIMSW	DEFGHIMSW	DEFGHIMSW	
Line Metric Net Weight Amount	DEFIMSW	DEFIMSW	DEFIMSW	DEFIMSW	DEFIMSW	
Line Metric Net Weight Unit	DEFIMSW	DEFIMSW	DEFIMSW	DEFIMSW	DEFIMSW	
Line Metric Net Weight Amount (See notes 1, 3, 8 and 9)	GH	GH	GH	GH	GH	H
Line Metric Net Weight Unit (See note 1)	GH	GH	GH	GH	GH	
Nature of Commodity	M	M	M			
Outer Package Details (See generic Package fields)						
Package Metric Net Weight Amount(see notes 8 and 9)	DEFGHIMSW	DEFGHIMSW	DEFGHIMSW	DEFGHIMSW	DEFGHIMSW	
Package Metric Net Weight Unit(see note 8)	DEFGHIMSW	DEFGHIMSW	DEFGHIMSW	DEFGHIMSW	DEFGHIMSW	
Package Quantity (See notes 1, 3, 8 and 9)	DEFGHIMSW	DEFGHIMSW	DEFGHIMSW	DEFGHIMSW	DEFGHIMSW	H

CHANGES PERMITTED BY EXPORTER						
RFP LINE						
DATA ELEMENT	ORDR	INIT	FINL	INSP	HCRD	COMP
Package Type (See notes 1 and 8)	DEFGHIMSW	DEFGHIMSW	DEFGHIMSW	DEFGHIMSW	DEFGHIMSW	
Package Weight Accuracy (See notes 1 and 8)	DEFGHIMSW	DEFGHIMSW	DEFGHIMSW	DEFGHIMSW	DEFGHIMSW	
Packaging Level (See note 1)	DEFGHIMSW	DEFGHIMSW	DEFGHIMSW	DEFGHIMSW	DEFGHIMSW	
Party Identification Details	F	F	F	F	F	
Percentage of milk fat	D	D	D	D	D	
Percentage of milk protein	D	D	D	D	D	
Process End Date	DEFGHIMSW					
Process Start Date	DEFGHIMSW					
Process Type / Production Process	DEFGHIMSW					
Processing Establishment Address	I					
Processing Establishment Number/Name	DEFGHIMSW					
Processing Establishment Telephone Number	I					
Product Code	DEFGHIMSW					
Product Condition	GH	GH	GH			
Product Part	GH	GH	GH			
Product Country of Origin	F	F	F	F	F	
Product Description Location Qualifier	M	M	M	M	M	
Product Description Quality Qualifier	M	M	M	M	M	
Product Source State	DEFGHWMSI	DEFGHWMSI	DEFGHWMSI	DEFGHWMSI	DEFGHWMSI	
Quota Type	M	M	M	M	M	
Related Export Permit Date	DEFGHIMSW	DEFGHIMSW	DEFGHIMSW	DEFGHIMSW	DEFGHIMSW	

CHANGES PERMITTED BY EXPORTER						
RFP LINE						
DATA ELEMENT	ORDR	INIT	FINL	INSP	HCRD	COMP
Related Export Permit Number	DEFGHIMSW	DEFGHIMSW	DEFGHIMSW	DEFGHIMSW	DEFGHIMSW	
RFP Line Identifier (See note 10)	GH	GH	GH			
Salting Date	S	S	S	S	S	
Seal Number (Container) (See note 2, 6 and 7)	DEFGHIMSW	DEFGHIMSW	DEFGHIMSW	DEFGHIMSW	DEFGHIMSW	
Shipping Marks(See note 5)	DEFGHIMSW	DEFGHIMSW	DEFGHIMSW	DEFGHIMSW	DEFGHIMSW	
Total weight of Milk fat in mixtures	D	D	D	D	D	
Total weight of Milk protein in mixtures	D	D	D	D	D	
Treatment Code	DEFGHISW	DEFGHISW	DEFGHISW			
Treatment Active Ingredient	GH	GH	GH			
Treatment Concentration	GH	GH	GH			
Treatment Duration	GH	GH	GH			
Treatment Temperature	GH	GH	GH			
Treatment Date	DEFGHISW	DEFGHISW	DEFGHISW			
Treatment End Date	DEFGHISW	DEFGHISW	DEFGHISW			
Treatment Information	DEFGHISW	DEFGHISW	DEFGHISW			
Treatment Type	MF	MF	MF			
Ungraded Product Indicator	M	M	M			

Notes:

- 1 Data Element can only be changed at INSP, HCRD and COMP if the person nominated, as the Inspector, the EDI User and the Inspection Establishment are AQA authorised.
- 2 Data Element can be changed at INIT, FINL, INSP and HCRD if the person nominated, as the Inspector, the EDI User and the Inspection Establishment are AQA authorised.
- 3 Data Element can only be changed at COMP if the Customs Agent Indicator on the RFP is equal to 'Y'.
- 4 Data Element can always (without other conditions) be changed at INIT, FINL if the commodity is Horticulture or Grain. Data Element can be added if currently there are no such data in the RFP, the RFP is at INSP and the commodity is Horticulture.

- 5 For Horticulture, Data Element can only be added, deleted or amended at INSP and HCRD if the person nominated as the Inspector, the EDI User and the Inspection Establishment are AQA authorised.
- 6 For certain commodities to some importing countries, Data Element can be added at ORDR, INIT, FINL, INSP, HCRD
- 7 For certain commodities to some importing countries, Data Element can be amended at ORDR, INIT, FINL, INSP, HCRD
- 8 Data element can be amended when RFP at INSP or HCRD and the Certificate Print Indicator is M or C for Grain and Horticulture products
- 9 Data element can only be decreased when RFP at INSP or HCRD and the Certificate Print Indicator is M or C for Grain and Horticulture products
- 10 Data element can only be deleted, rather than amended.

Updating Certificate Request Details

Exporters cannot update details in a Certificate. If Certificate details need changing then the exporter must contact the department and request a change to certificate details. This is the current EXDOC practice for all commodities.

Appendix D: Data Element Directory

This appendix defines the data type and length of data elements used in EXDOC messages.

The following abbreviations are used:

a	alphabetic (A-Z, special characters)
an	alphanumeric (A-Z, 0-9, special characters)
n	numeric (0-9, '.')
..	field is of variable length
number	the number of characters in the field (in the case of numeric fields, a decimal place is not included in the length – therefore 12345.67 would be defined as n7)

Examples:

a..4	= alphabetic, up to 4 characters in length
a4	= alphabetic, must be 4 characters
n..7	= numeric, up to 7 characters in length
n7	= numeric, must be 7 characters
an..35	= alphanumeric, up to 35 characters in length

Note that all alpha data must be in UPPER case with the following exceptions, which may be mixed case:

- Additional Declaration Text
- Shipping Marks

Note also this table contains data element listings for both RFP and Certificate messages.

Data Element	Format	Comments
Additional Declaration Text	an..	Free format text. Sent as multiple repeats each of a maximum length of 70 characters. Each repeat will be considered as a separate line of text.
Additional Information	an..	Free format text. Sent as multiple repeats each of a maximum length of 70 characters. Splits, when required, occur exactly on a 70-character boundary and therefore may be within words.
Additional Product Description	an..250	Exporter defined. Sent as up to 8 repeats each of maximum length 35 characters, up to a maximum of 250 characters in total. Splits, when required, occur exactly on a 35-character boundary and therefore may be within words.
Additional Products	a35	The secondary component products for a Meat composite product
AHECC Code	n8	
Amended Information	an..254.	The reason why specific fields are changed after authorisation. Sent as up to 8 repeats each of maximum length 35 characters, up to a maximum of 254 characters in total. Splits, when required, occur exactly on a 35-character boundary and therefore may be within words.
AMLC Performance Exporter Number	an..5	The exporter to whom the export is to be credited.
AMLC Quota Approval Reference	an..8	The AMLC reference to a quota allocation.
AMLC Quota Indicator	a1	Y (Yes) means the product on the RFP requires a quota certificate, N (No) the converse.
AMLC Quota Year	An..7	The Year, or two sequential years, that the Quota relates to.
Approved Certifier	an..5	The type and code of the approved certifier
Print Region	a3	Must equal a Print Region Code (see Appendix E for Print Region Codes)
Average Age of Animals	an..20	The average age of the animals

Data Element	Format	Comments
Batch Code	an..30	Free format text. Unique number affixed by manufacturer to a batch of products.
Beef/Veal Weight Amount	n..9	7 significant and 2 decimal places, leading zeroes may be omitted.
Border Inspection Port	an5	A country and location code from the Location table on the EXDOC database. Identifies the port where the consignment identified on an export certificate will be inspected before entry into a country.
Catch Start Date	n8	Catch Start Date, ccyymmdd.
Catch End Date	n8	Catch End Date, ccyymmdd.
Certificate Line Number		Identifier of a Certificate line. For format, see Line Number.
Certificate Number	n..8	All EXDOC generated numbers are greater than 1,000,000. Manually generated numbers are less than 1,000,000.
Certificate Print Indicator	a1	
Certificate Reason	n2	
Certificate Request ID	n..7	
Certificate Request Status	an..1	Current status of Certificate Request.
Certificate Requested Timestamp	n14	Ccyymmddhhmmss
Certificate Required Location	an..7	A Print Region code or registered EDI User Identifier
Certificate Response Type	a2	
Certificate Status Timestamp	n14	Ccyymmddhhmmss
Certificate Template & Endorsement	an..11	an..6 template code and n..4 endorsement code, separated by slash, for example E171/3. Leading zeros may be omitted in the endorsement code.
Chemical Lean Percentage	n..2	
Client Line Item Identifier	an..250	Information to assist in identifying and updating line information. This data should be unique for each line on the RFP.
Commodity Type	a1	
Compartments	an..35	Free format text. Ships Hold compartments that were inspected. This should be a comma separated string of compartment numbers, e.g. 1,3,6
Consignee City	an..35	
Consignee Country	a2	A country code from UN LOCODE (equivalent to ISO 3166 Country Code).
Consignee Name	an..50	
Consignee Phone Number	an..20	The consignee's phone number.
Consignee Postcode	an..10	
Consignee Reference Number	an..35	A character/number (up to 35 characters in length) that identifies the Consignee to the importing country.
Consignee Representative Name	an..35	
Consignee State	an..20	
Consignee Street	an..70	Consignee Street can be made up of two lines of data. Each line can be a maximum of 35 characters. A Component Data Element Separator should separate the lines. For example, "Suite 8:27 George Street", indicates that the Consignee Street is made up of two lines. The first line is "Suite 8", the second line is "27 George Street". (In the example above the colon, ":", represents a Component Data Element Separator.)
Consignee TRACES Approval ID	an..80	A character/number (up to 80 characters in length) that identifies the Consignee to the EU TRACES system.
Container Number	an..15	Must not contain embedded spaces.
Customs Agent Indicator	a1	Y (Yes) means that EXDOC is to act as a Customs Agent for this RFP, N (No) the converse.
Cut Type	an..6	
Declaration Estimate Indicator	a1	Indicates type of exporter for Customs purposes.

Data Element	Format	Comments
Declaration of Compliance Indicator	a1	Y (Yes) means the Exporter/EDI User has declared that they are in possession of a Declaration of Compliance for the products being exported, N (No) the converse.
Declaring Agent Number	an..35	Declaring Agent Number.
Departure Date	n8	Ccyymmdd
Depuration Date	n8	Ccyymmdd
Depuration Plant Number	an..10	Required for shellfish from NSW
Destination City	an..50	Free format name.
Destination Country	a2	A country code from UN LOCODE (equivalent to ISO 3166 Country Code).
Discharge Port	an5	A country and location code from the Location table on the EXDOC database (expanded on Certificates to a 25 character location name).
Dominant Product	a20	The main component product for a Meat composite product
Drained Weight Amount	n..9	7 significant and 2 decimal places, leading zeroes may be omitted.
Durability End Date	n8	Ccyymmdd
Durability Start Date	n8	Ccyymmdd
EAN – 13 Number	an..13	Valid EAN-13 number identifying the product.
EAN Description	an..175	Description of EAN code.
ECN (Export Clearance Number)	an14	The ECN proper is 13 characters long, but can be presented by the ACS in 14 character form, including a one character status suffix of C (Clear) or E (Errors).
EDI User Identifier	n..7	Leading zeroes may be omitted.
EDN (Export Declaration Number)	an9	Export Declaration Number issued by the Australian Customs Service.
Embargo Message	an..79	Message supplied by ACS.
Embargo Status	n2	Codes defined by ACS.
EPN (Export Permit Number)	an10	a3 prefix and 7n permit number (e.g. PIM1234567)
Establishment City	an..35	Leading and trailing spaces are ignored.
Establishment Country, Coded	a2	A country code from UN LOCODE Country (equivalent to ISO 3166 Country Code).
Establishment Name	an..50	Leading and trailing spaces are ignored.
Establishment Number	an..6	Leading and trailing spaces are ignored.
Establishment Phone Number	an..10	Leading and trailing spaces are ignored.
Establishment Postcode	an..10	Leading and trailing spaces are ignored.
Establishment State	an..35	Leading and trailing spaces are ignored.
Establishment Street	an..70	Leading and trailing spaces are ignored.
Export Scheme Code	an..3	Codes defined by ACS.
Exporter Declaration	an..700	Free format text. Sent in two FTX segments each having up to 5 repeats each of maximum length 70 characters. Splits, when required, occur exactly on a 70 character boundary and therefore may be within words.
Exporter Number	an..5	Typically (but not restricted to) n..4 parent entity identifier and optional 1 character alpha sub-entity qualifier, where the parent entity identifies the main exporter legal entity (e.g. 123), and sub-entity qualifiers are used where the exporter operates under more than one trading name (e.g. 123, 123A, 123B).
Exporter Reference	an..35	Free format text.
Exporter Cert Reference	an..35	Free format text.
Exporter System Type	a3	Code identifying the supplier of a particular Exporter System.
Extra Certificate Template	an..6	6 character template code, for example GX46.
Final Consumer	a1	Indicates if product is for the Final Consumer and should be supplied by the exporter.
Fish Water Indicator	a1	Indicates if the product was caught in fresh water or salt water.

Data Element	Format	Comments
FOB Amount	n..15	13 significant and 2 decimal places, leading zeros may be omitted.
FOB Currency Unit	a3	ISO 4217
Halal Product Indicator	a1	Indicates if the product is Halal Approved, and should be supplied by the exporter.
Harvest Area	an..35	Free format text.
Harvest Date	n8	Ccyymmdd
Forwardee EDI User Identifier		The EDI User Identifier an RFP is to be forwarded to. For format, see EDI User Identifier.
IMA1 Gross Weight Amount	n..10	7 significant and 3 decimal places, leading zeroes may be omitted.
IMA1 Invoice Date	n8	Ccyymmdd
IMA1 Invoice Number	an..25	
IMA1 Net Weight Amount	n..10	7 significant and 3 decimal places, leading zeroes may be omitted.
IMA1 Product Description	an..210	Exporter defined. Sent as up to 6 repeats each of maximum length 35 characters. Splits, when required, occur exactly on a 35 character boundary and therefore may be within words.
IMA1 Quota Year	an..15	
IMA1 Serial Number	an..25	
Import Authority Code	an..350	Free format text. Sent as up to 5 repeats each of a maximum length of 70 characters. Splits, when required, occur exactly on a 70 character boundary and therefore may be within words.
Import Permit Date	n8	Ccyymmdd
Import Permit Number	an..35	Free format text.
Imported Product Flag	a1	Dairy – Y (Yes) indicates that the Exporter/EDI User has declared that products being exported contain imported dairy ingredients, other than from New Zealand, N (No) the converse. Fish – Y (Yes) indicates that the Exporter/EDI User has declared that the RFP includes imported product, N (No) the converse.
Inspection Port	an..35	Free format text. The port at which the Ships Hold inspection took place.
Inspector Comments	an..210	Free format text. Sent as up to 3 repeats each of a maximum length of 70 characters. Splits, when required, occur exactly on a 70 character boundary and therefore may be within words.
Inspection Requested Date	n14	ccyymmddhmmss
Label Approval Number	an..15	Free format text.
Label Approval Indicator	a1	Indicates the Label approval number is required, and should be supplied by the exporter.
Lease Number	an..20	Free format text.
Letter of Credit Text	an..105 0	Free format text. Sent as multiple repeats each of a maximum length of 70 characters. Each repeat will be considered as a separate line of text.
Line Customs Weight Amount	n..10	7 significant and 3 decimal places, leading zeros may be omitted.
Line Customs Weight Unit	a3	A 3 alpha character weight unit code.
Line Imperial Net Weight Amount	n..10	7 significant and 3 decimal places, leading zeros may be omitted.
Line Imperial Net Weight Unit	a3	A 3 alpha character weight unit code.
Line Metric Gross Weight Amount	n..10	7 significant and 3 decimal places, leading zeros may be omitted.
Line Metric Gross Weight Unit	a3	A 3 alpha character weight unit code.
Line Number	n..2	Identifier of a Line.
Line Net Qty		See Net Unit and Net Amount.

Data Element	Format	Comments
Loading Port	a3	A location code. Note the country code for Australia is not required. This code is expanded on Certificates to a 25-character location name.
Lot Number	an..70	Free format Lot Number details.
Maximum Transhipment Storage Temperature	n..5	3 significant and 2 decimal places, leading zeros may be omitted. A negative sign can be supplied without affect on the 3 significant digits. For example, -100.5 is valid.
Minimum Transhipment Storage Temperature	n..5	3 significant and 2 decimal places, leading zeros may be omitted. A negative sign can be supplied without affect on the 3 significant digits. For example, -100.5 is valid.
Nature of Commodity	a3	Indicates the nature of the commodity.
Net Amount	n..10	7 significant and 3 decimal places, leading zeroes may be omitted.
Net Unit	a3	Holds Metric Net Weight Amount.
Notify Party Text	an..	Free format text. Sent as multiple repeats each of a maximum length of 55 characters. Each repeat will be considered as a separate line of text.
Origin/Catching Zone Text	an..	Free format text. Sent as multiple repeats each of a maximum length of 35 characters. Each repeat will be considered as a separate line of text.
Owner Exporter Number		See Exporter Number
Pack Date	n8	Date of Packing
Package Measure Accuracy	a1	Indicates if package unit measure is accurate or approximate.
Package Quantity	n..6	The number of packages in packaging description, for example '24' in '24 * 300ml pails'.
Package Type	a..2	The code for type of package in packaging description, for example the code for 'pails' in '24 * 300ml pails'.
Package Unit	a3	The unit in packaging description, for example 'ml' in '24 * 300ml pails'. (In the case of Meat, this holds a Metric Net Weight Unit.)
Package Unit Amount	n..7	The unit amount in packaging description, for example '300' in '24 * 300ml pails'. 4 significant and 3 decimal places, leading zeros may be omitted.
Packaging Establishment Name	an..35	
Packaging Level	n1	Indicates if outer, intermediate, inner.
Party Identification Details	an..200	Free text processing establishment registration/identifications details.
Percentage of milk fat	n..5	3 significant digits and 2 decimal places
Percentage of milk protein	n..5	3 significant digits and 2 decimal places
Person Responsible City	an..35	
Person Responsible Country	a2	A country code from UN LOCODE (equivalent to ISO 3166 Country Code).
Person Responsible Name	an..50	
Person Responsible Phone Number	an..20	
Person Responsible Postcode	an..10	
Person Responsible Street	an..70	Person Responsible Street can be made up of two lines of data. Each line can be a maximum of 35 characters. A Component Data Element Separator should separate the lines. For example, "Suite 8:27 George Street", indicates that the Person Responsible Street is made up of two lines. The first line is "Suite 8", the second line is "27 George Street". (In the example above the colon, ":", represents a Component Data Element Separator.)
Place of Destination Approval Number	an..30	
Place of Destination City	an..35	

Data Element	Format	Comments
Place of Destination Country	a2	A country code from UN LOCODE (equivalent to ISO 3166 Country Code).
Place of Destination Name	an..50	
Place of Destination Phone Number	an..20	The consignee's phone number.
Place of Destination Postcode	an..10	
Place of Destination Reference Number	an..35	A character/number (up to 35 characters in length) that identifies the Consignee to the importing country.
Place of Destination Street	an..70	Place of Destination Street can be made up of two lines of data. Each line can be a maximum of 35 characters. A Component Data Element Separator should separate the lines. For example, "Suite 8:27 George Street", indicates that the Place of Destination Street is made up of two lines. The first line is "Suite 8", the second line is "27 George Street". (In the example above the colon, ":", represents a Component Data Element Separator.)
Place of Destination Type Identifier	an..1	Must be C or S
Process End Date	n8	ccyyymmdd
Process Start Date	n8	ccyyymmdd
Process Type Identification (Production Processing Details)	a2	A 2 alpha character code identifying a process type, for example inspection, slaughtering.
Processing Establishment Number		See Establishment Number.
Product Code	an8	Comprising: a1 Preservation Type an3 Product Type (space filled if less than an3) an2 Pack Type a2 Supplementary Code
Product Condition	an..4	The coded product condition.
Product Country of Origin	a2	A country code from UN LOCODE Country (equivalent to ISO 3166 Country Code).
Product Description (Exporter Defined)	an..175	Exporter defined. Sent as up to 5 repeats each of maximum length 35 characters. Splits, when required, occur exactly on a 35 character boundary and therefore may be within words. If supplied, the exporter defined description completely replaces the system generated description.
Product Description (System Generated)	an..350	System generated. Sent as up to 10 repeats each of maximum length 35 characters. Splits, when required, occur exactly on a 35 character boundary and therefore may be within words. The system generated HC Product Description is generated from: - Product Code - Cut Code, - Outer/Intermediate/Inner Package Type, Quantity, Unit, Amount, Accuracy - Additional Product Description, - Product Description Location Qualifier, - Product Description Quality Qualifier, - Label Approval Number
Product Description Location Qualifier	an..15	Is appended to the Certificate product description generated by EXDOC from the product code and packaging details.
Product Description Quality Qualifier	an..20	Is appended to the Certificate product description generated by EXDOC from the product code and packaging details.
Product Source Country	a2	A country code from UN LOCODE Country (equivalent to ISO 3166 Country Code).
Product Source State	an..3	Up to three characters, representing a State Code.
Product Use Indicator	a1	Indicates the "uses" for which the product on the RFP has been certified.
Product Part	an..4	The coded product part.

Data Element	Format	Comments
Quota Type	an..5	The Quota Scheme Type to which the product on the RFP requires a quota certificate.
Recommendation Letter Date	n8	ccyymmdd
Recommendation Letter Number	an..35	Free format text.
Related Export Permit Date	n8	ccyymmdd
Related Export Permit Number	an..35	Identifiers of non-departmental export permits associated with product which are of interest to the ACS and forwarded to ICS.
Requested Certificate Endorsement	an..11	an..6 template code and n..4 endorsement code, separated by slash, for example E171/3. Leading zeros may be omitted in the endorsement code.
RFP Authorisation Establishment Number		See Establishment Number. May also be a Print Region or Region (Appendix E)
RFP Authorised End Date	n8	ccyymmdd
RFP Authorised Start Date	n8	ccyymmdd
RFP Authorising Officer Identifier	an..8	Identifier of AQA authorised inspector.
RFP Compliance Status	a4	Current status of RFP. eg ORDR, INIT, etc
RFP Forward Status	a4	Status at which RFP is to be forwarded. e.g. ORDR, INIT, etc.
RFP Last Amend Timestamp	n14	ccyymmddhhmmss
RFP Line Item Description	an..70	Additional information required to support inspection, for example, cyphers, fat depth. Sent as up to 2 repeats each of maximum length 35 characters. Splits, when required, occur exactly on a 35 character boundary and therefore may be within words.
RFP Line Number		Identifier of an RFP line. For format, see Line Number.
RFP Line Quantity		Quantity of a product in an RFP line item. For format, see Line Net Qty.
RFP Lodgement Timestamp	n14	ccyymmddhhmmss
RFP Number	n..10	Leading zeros may be omitted.
RFP Reason	n2	
RFP Response Type	a2	
RFP Status Timestamp	n14	ccyymmddhhmmss
Salting Date	n8	Date of Salting
Seal Number (Container)	an..15	
Seal Number Start (Vessel Hold)	an7	
Seal Number End (Vessel Hold)	an7	
Seal Start Number	n..	The number of characters depends on the requirements of the importing country, leading zero is kept.
Seal End Number	n..	The number of characters depends on the requirements of the importing country, leading zero is kept.
Separate Certificate Container Indicator	a1	Y (Yes) indicates Separate Certificates are required for each distinct Container on the RFP, N (No) that standard collation of RFP lines onto Certificates is to apply.
Separate Certificate Marks Indicator	a1	Y (Yes) indicates Separate Certificates are required for each distinct value of Shipping Marks on the RFP, N (No) that standard collation of RFP lines onto Certificates is to apply.
Separate Certificate Packer Indicator	a1	Y (Yes) indicates Separate Certificates are required for each distinct Packing Establishment on the RFP, N (No) that standard collation of RFP lines onto Certificates is to apply.
Serial Number	an..20	Free format text
Ship Stores Indicator	a1	
Shipping Company or Carrier Name	an..35	Free format text.
Shipping Marks	an..20	Free format text.
Ships Hold Inspection Date	n8	ccyymmdd

Data Element	Format	Comments
Statement Number	n..4	Code representing a statement to be printed on a certificate. Up to five Statement Numbers can be sent in a single FTX segment, if required.
Statement Text	an..350	Free format text. Sent as up to 5 repeats each of a maximum length of 70 characters. Splits, when required, occur exactly on a 70-character boundary and therefore may be within words.
Storage Establishment Number		See Establishment Number.
Total weight of milk fat in mixtures	n..5	
Total weight of milk protein in mixtures	n..5	
Transferee EDI User Identifier		The EDI User Identifier an RFP is to be transferred to. For format, see EDI User Identifier.
Transferee Exporter Number		The recipient exporter in a transfer. For format, see Exporter Number.
Transferor Exporter Number		The donating exporter in a transfer. For format, see Exporter Number.
Transshipment Storage Temperature	n..5	3 significant and 2 decimal places, leading zeros may be omitted. A negative sign can be supplied without affect on the 3 significant digits. For example, -100.5 is valid.
Transit Country	a2	A country code from UN LOCODE Country (equivalent to ISO 3166 Country Code).
Transport Mode	n1	
Treatment Active Ingredient	an..4	The coded name of the chemical active ingredient used.
Treatment Code	a6	The type of treatment applied to the product.
Treatment Concentration	n..8	The rate of application. 6 significant and 2 decimal places, leading zeros may be omitted.
Treatment Date	n8	ccyyymmdd
Treatment Duration	n..6	The length of time the product was treated. 4 significant and 2 decimal places, leading zeros may be omitted.
Treatment End Date	n8	ccyyymmdd
Treatment Information	an..280	Free format additional treatment information that would typically contain details on the chemical used in the treatment of the product, the concentration of the chemical and the temperature and duration of the treatment.
Treatment Temperature	n..7	The temperature applied. 4 significant and 2 decimal places, leading zeros may be omitted. A negative sign can be supplied without effect on the 3 significant digits. For example, -100.5 is valid
Treatment Type	a4	Indicates treatment type.
True and Complete Indicator	a1	Y (Yes) indicates that the exporter has declared that the information provided in the application for an export permit is true and complete.
Vessel Name	an..35	Free format text.
Voyage/Flight Number	an..6	Free format text.
Ungraded Product Indicator	a1	Indicates if the product is ungraded, and should be supplied by the exporter.

Appendix E: Code Sets

This appendix sets out code sets defined by the department that are used in the EXDOC messages. These code sets have been established to cover requirements not addressed by internationally recognised code sets, such as those defined by ISO and the UN. Selected ISO code sets are also included to facilitate Exporter System development and maintenance, in particular ISO 3166 (Country) and ISO 4217 (Currency).

All EXDOC Code Sets are available from the EXDOC website. The descriptions of each file can be found below.

E1 Print Region

Refer to the EXDOC website for the list of Print Region Codes.

E2 Australia, Territories and State Possessions

Refer to the EXDOC website for the list of Australia, Territories and Possessions.

This code set provides a list of countries that do not require Export Permits. The columns headed "Meat, Dairy, etc..." define which countries do not require Export Permits for each commodity. For example, an Export Permit is required for Grains product going to the Cocos Islands but an Export Permit is not required for Meat product going to the Cocos Islands.

Note that the code AU encompasses Lord Howe Island, Macquarie Islands, Ashmore Islands, Cartier Island, Coral Sea Islands and the Australian Antarctic Territory.

E3 Australian Port

Refer to the EXDOC website for the list of Australian Ports.

These codes are an extract from the UN LOCODE location code set, containing the valid places from which product can be exported from Australia. Locations which do not appear in UN LOCODE but which are valid Australian Ports have been assigned local codes, all prefixed with X.

E4 Commodity Type

Refer to the EXDOC website for the list of commodity types.

E5 Country

Refer to the EXDOC website for the list of country codes.

EXDOC Country Codes are based on the alphabetic 2 character codes defined by ISO 3166. Note that where an RFP is forwarded to Customs, EXDOC converts between the ISO codes and those used by Customs.

E6 Currency

Refer to the EXDOC website for the list of currency codes.

Note that where an RFP is forwarded to Customs, EXDOC converts between the ISO codes and those used by Customs.

E7 Cut Code

Refer to the EXDOC website for the list of cut codes.

The Exporter System should provide a local reference file for this code set with facilities for users to maintain the file.

The Exporter System should only display codes relevant for the particular commodity. For example, if a Meat RFP is being lodged, the Exporter System should only display Cut Codes applicable for Meat products.

E8 Declaration Estimate Indicator

Refer to the EXDOC website for the list of Declaration Estimate Indicators.

C Confirming The exporter has submitted an initial description for ICS purposes of the goods to be exported, and expects to update ICS with further information as it becomes known.

N Non-Confirming The exporter has submitted a reasonably final description for ICS purposes of the goods to be exported, and minimal if any amendment is expected.

M Multiline Not permitted where EXDOC is to operate as Customs Agent.

Note that this field exists for historical reasons only. EXDOC will always send information to ICS on behalf of an exporter as non-confirming.

E9 European Economic Community

This code set lists the countries that comprise the European Economic Community. Refer to the EXDOC website for the list of European Economic Countries.

E10 EXDOC Product Code

Refer to the EXDOC website for the list of product codes. Similarly, current copies of the code sets for Preservation Type, Product Type, Pack Type and Supplementary Code are also available from the EXDOC website, if required. Note that all EXDOC Product Codes are prescribed combinations of the following coded components (in the order listed):

- Preservation Type (e.g. F=Frozen, C=Chilled)
- Product Type (e.g. CCH=Cheese, BUT=Butter, L=Lamb)
- Pack Type (e.g. CA=Can, BP=Bulk Packed, LP=Layer Packed)
- Supplementary Code (e.g. DG=Grated (Dairy), G=Grain Fed (Meat), T=Tender Stretched (Meat)).

An example Product Code might be:

MEAT F S LP G (Frozen Ox Layer Packed Grain Fed).

DAIRY C CCH CA DG (Chilled Canned Cheese Can Grated).

The Exporter System should provide a local reference file for Product Codes, with facilities to maintain the codes.

The Exporter System should only display codes relevant for the particular commodity. For example, if a Meat RFP is being lodged then the Exporter System should only display codes applicable for Meat products. This is relevant for the Cut Type, Product Type and

Supplementary Code codes. The code sets detail for which commodity a code is applicable.

E11 Certificate Print Indicator

Refer to the EXDOC website for a current list of Certificate Print Indicators.

M Manual The Certificates are not produced until the Certificate Print Indicator is set to A.

A Automatic The Certificates are produced as soon as all required data is present and the RFP has been authorised.

N Not Required A Certificate is not required by the exporter (or by the destination country).

C Custom Certificate Indicates the RFP will be used for a custom Certificate

E12 Imperial Weight Unit (Avoirdupois)

Refer to the EXDOC website for a list of Imperial Weight Units.

E13 Location Qualifier

Refer to the EXDOC website for a list of Location Qualifiers.

E14 Measurement Unit

Refer to the EXDOC website for a list of Measurement Units.

E15 Metric Weight Unit

Refer to the EXDOC website for a list of Metric Weight Units.

E16 Pack Type

Refer to the EXDOC website for a list of Pack Types.

The Exporter System should provide a local reference file for this code set with facilities for users to maintain the file.

E17 Package Type

Refer to the EXDOC website for a list of Package Types.

EXDOC Package Codes are based on the United Nations ECE Working Party 4 Recommendation 21 (Package Types), with additions to cover EXDOC specific requirements. Non-ISO codes may be included in this code set.

E18 Permit Type

Refer to the EXDOC website for a list of Permit Types.

E19 Preservation Type

Refer to the EXDOC website for a list of Preservation Types.

E20 Process Type

Refer to the EXDOC website for a list of Process Types.

E21 Product Type

Refer to the EXDOC website for a list of Product Types.

The Exporter System should provide a local reference file for this code set with facilities for users to maintain the file.

The Exporter System should only display codes relevant for the particular commodity. For example, if a Meat RFP is being lodged the Exporter System should only display Product Type codes applicable for Meat products.

E22 Quality Qualifier

Refer to the EXDOC website for a list of Quality Qualifiers.

E23 RFP Compliance Status

Refer to the EXDOC website for a list of RFP Compliance Status values.

The code is used to reflect the Compliance Status of the RFP in the EXDOC database following the processing of a successful action, or in the case where a message is rejected, the Compliance Status of the RFP before an action was attempted.

Note an RFP is *finalised* if it has a status of COMP or EMHC. Once finalised, exporters may not amend any RFP details. RFPs with the HC Print Indicator set to N (Not Required) and which are Health Certificate Ready go straight to COMP.

- ORDR Order RFP. Minimal mandatory information, additional information optional. The Order RFP is used when information about a potential export order first becomes known but there is insufficient information to fully describe product. An RFP number is allocated which can be used by the Exporter System as the unique key to the Order in an exporter agent group.
- INIT Initial. The RFP has sufficient information to allow inspection but not to produce Health Certificates. It is not yet authorised.
- FINL Final. The RFP has sufficient information to allow inspection and to produce Health Certificates. It is not yet authorised.
- INSP Inspected and Authorised. The RFP has been inspected and authorised, but does not have sufficient information to produce Health Certificates.
- HCRD Health Certificate Ready. The RFP has been authorised and has sufficient information to produce Health Certificates. Should an exporter nominate EXDOC as their ICS agent, the RFP will not be eligible for HCRD status until an error free ECN/EDN is received from Customs.
- COMP RFP Completed. The RFP has been authorised, and where Health Certificates are required they have been produced.
- EMHC Emergency Health Certificate Printed. The RFP has not been authorised, however the department has forced Health Certificates to be produced. Typically, this is done to facilitate exports when an Authorised Inspector is not able to access EXDOC to authorise product within time critical freight schedules.
- SUSP Suspended. The RFP has been suspended by an Authorised Inspector. No updates are possible on the RFP while in this state, other than by the Authorised Inspector to revoke suspension.

CANC Cancelled. The RFP has been cancelled by the department after attaining a status of INSP or better.

E24 RFP Reason

Refer to the EXDOC website for a list of RFP Reason codes.

E25 Supplementary Code

Refer to the EXDOC website for a list of Supplementary Codes.

The Exporter System should provide a local reference file for this code set with facilities for users to maintain the file.

The Exporter System should only display codes relevant for the particular commodity. For example, if a Meat RFP is being lodged the Exporter System should only display Supplementary codes applicable for Meat products.

E26 Transport Mode

Refer to the EXDOC website for a list of Transport Modes.

E27 United States and Territories

Refer to the EXDOC website for a list of countries comprising the United States and Territories.

E28 Certificate Reason

Refer to the EXDOC website for a list of Certificate related messages.

E29 Region

Refer to the EXDOC website for a list of Region Codes.

E30 Treatment Codes

Refer to the EXDOC website for a list of Treatment Codes.

E31 Certificate Request Status

Refer to the EXDOC website for a list of Certificate Request status.

The code is used to reflect the Status of the Certificate Request in the EXDOC database following the processing of a successful Certificate Request message.

E32 Product Use Indicator Codes

Refer to the EXDOC website for a list of Product Use Indicator Codes.

E33 Nature of Commodity

Refer to the EXDOC website for a list of Nature of Commodity codes

E34 Treatment Type

Refer to the EXDOC website for a list of Treatment Type codes

E35 State Code

Refer to the EXDOC website for a list of State Codes.

E36 Customs Weight Unit

Refer to the EXDOC website for a list of Customs Weight Units.

E37 Product/AHECC/Cut Code

Refer to the EXDOC website for a list of Product/AHECC/Cut Codes.

E38 Dominant and Additional Products Code

Refer to the EXDOC website for a list of Dominant and Additional Products Codes.

E39 Approved Certifier

Refer to the EXDOC website for a list of Approved Certifiers.

E40 CN Code

Refer to the EXDOC website for a list of CN Codes.

E41 Treatment Active Ingredient

Refer to the EXDOC website for a list of Treatment Active Ingredient Codes.

E42 Treatment Concentration Unit

Refer to the EXDOC website for a list of Treatment Concentration Unit Codes.

E43 Product Condition

Refer to the EXDOC website for a list of Product Condition Codes.

E44 Product Part

Refer to the EXDOC website for a list of Product Part Codes.

Appendix F: Sample Messages

The following example messages illustrate some of the logical functions supported by EXDOC. Segments in the example messages are formatted and presented on separate lines to aid readability.

Please note that while the structure of these messages is correct, EXDOC rules affecting the data used may vary over time. These messages are provided as samples for testing purposes only.

Since the standard delimiters used by default in EXDOC are non-printable characters, examples given in this specification use the following convention:

<u>Delimiter Type</u>	<u>Standard Value Symbol Used in Examples</u>
Segment Terminator	IS4 – ASCII 1C
Data Element Separator	IS3 – ASCII 1D +
Component Data Element Separator	IS1 – ASCII 1F :

Sample Meat Messages

Lodge RFP

1. Int Hdr	UNB+UNOB:2+8+9+950926:0900+000111222++EXDOC
2. Msg Hdr	UNH+999888777+SANCRT:D:97B:UN:RF0801
3. Msg Id	BGM+M::AQ:9++13
4. Loading Port	LOC+9+BNE
5. Discharge Port	LOC+12+TWTPE
6. Dest City	LOC+8+TAIPEI
7. Dest Country	LOC+36+TW
8. Prod Source Country	LOC+30+AU
9. Cert Required Loc	LOC+91+SYD
10. Exporter Ref	RFF+ABE:MYREF999
11. ECN	RFF+AAE:E12345678
12. AMLC Quota Year	FTX+ABW+++ 2017-18
13. Transshipment Temp	MEA+TE+ADE+CEL:-2.75
14. FOB Currency Unit	MOA+63::AUD
15. HC Print Ind	GIS+M::AQ:PHC
16. Sep HC Ind	GIS+Y::AQ:SC
17. Ships Stores flag	GIS+N::AQ:SST
18. AMLC Quota Ind	GIS+N::AQ:QI
19. Customs Agent Ind	GIS+Y::AQ:ACS
20. Owner Exporter	PNA+EX+99999
21. Consignee Name	PNA+CN+++++10:KWING KWONG
22. Consignee Addr	ADR++5:456 HIGH ST+TAIPEI+654321+TW+::TWSTATE
23. Consignee TRACES ID	FTX+ZZZ+4+TRACESCONSIGNEEID:160:AQ+12AB34CD+
24. Transport	TDT+12+V123+1++::SHIPS AHOY+++::ENDEAVOUR
25. Dept Date	DTM+136:20040130:102
26. Insp Process	PRC+IN:PP:AQ
27. Insp Estab Nbr	PNA+FO+10004
28. Insp Userld	PNA+AV+GRAHB
29. Line	LIN+01
30. Net Qty	MEA+AAA+SQ+KGM:1456.00
31. Gross Metric Weight	MEA+AAI+AAE+KGM:2000
32. Prod Code	PIA+5+ CA BP:CC
33. Cut Code	PIA+5+1000:BP
34. AHECC	PIA+5+99999998:HS
35. Final Consumer	ATT+10++Y:FCI:AQ
36. Insp Desc	IMD+++IN::*S-RMP* WHOLE RUMP 12-14MM
37. Health Cert Desc	IMD+++UHC::BEEF
38. FOB Amount	MOA+63:425
39. Outer Pkg	PAC+50+3+CT::AQ
40. Ship Marks	PCI++NM/A1234/ENDV
41. Container Nbr	EQD+CN+MARU2103333
42. Container Seal	SEL+654321
43. Slaughter Process	PRC+SL:PP:AQ
44. Slaughter Start	DTM+194:20040101:102
45. Slaughter End	DTM+206: 20040105:102
46. Slaughter Estab	PNA+MP+780
47. Packing Process	PRC+PK:PP:AQ
48. Packing Start	DTM+194: 20040108:102
49. Packing End	DTM+206: 20040108:102
50. Packing Estab	PNA+MP+1004
51. Msg Trailer	UNT+45+999888777
52. Int Trailer	UNZ+1+000111222

RFP Acknowledgment

1. Int Hdr	UNB+UNOB:2+8+7+040323:1201+16299++EXDOC++++1
2. Msg Hdr	UNH+16301+SANCRT:D:97B:UN:RF0801
3. Msg Id	BGM+M::AQ:9+222222+11+AP
4. Status Timestamp	DTM+9:20040323120139:204
5. Lodge Timestamp	DTM+137:20040323120137:204
6. Amd Timestamp	DTM+7:20040323120139:204
7. Compliance Status	STS+COM::AQ++COM::AQ:HCRD
8. Transfer Status	STS+TRN::AQ++N::AQ
9. Exporter Ref	RFF+ABE:MYREF999
10. Export Permit Nbr	RFF+EP:PIM3333
11. ECN	RFF+AAE:E12345678
12. Message	FTX+AAO+++L00 I0718 No message sent to Customs, Export Declaration Number was supplied FTX+AAO+++L01 I0040 HC Template / HC Endorsement has been defaulted to?: E171 FTX+AAO+++L01 I0709 An E-cert certificate will be generated for this destination:. Accuracy of data must be verified prior to certificate printing
13. Owner Exporter	PNA+EX+1000
14. Line 1	LIN+1
15. HC	DOC+852:::E171+:1
16. Msg Trailer	UNT+17+16301
17. Int Trailer	UNZ+1+16299

Mini-Amend RFP (Test Message)

1. Int Hdr	UNB+UNOB:2+8+9+950928:1740+1000002++EXDOC++++1
2. Msg Hdr	UNH+333222555+SANCRT:D:97B:UN:RF0801
3. Msg Id	BGM+M::AQ:9+222222+5
4. HC Print Ind	GIS+A::AQ:PHC
5. Owner Exporter	PNA+EX+1000
6. Consignee Name	PNA+CN+++++10:MY CONSIGNEE NAME
7. Consignee Addr	ADR++5:456 HIGH ST+TAIPEI+654321+TW+:::TWSTATE
8. Insp UserId	PNA+AV+XXXXXXXX
9. Line	LIN+01
10. Health Cert Desc	IMD+++UHC:::BEEF
11. Outer Pkg	PAC+50+3+CT::AQ
12. Msg Trailer	UNT+9+333222555
13. Int Trailer	UNZ+1+1000002

Delete RFP

1. Int Hdr	UNB+UNOB:2+8+9+951030:1330+1000003++EXDOC
2. Msg Hdr	UNH+999888777+SANCRT:D:97B:UN:RF0801
3. Msg Id	BGM+M::AQ:9+222222+1
4. Exporter Ref	RFF+ABE:MYREF999
5. Owner Exporter	PNA+EX+1000
6. Msg Trailer	UNT+5+999888777
7. Int Trailer	UNZ+1+1000003

Sample Dairy Messages

Order RFP

1.	Int Hdr	UNB+UNOB:2+8+7+990907:1441+44++EXDOC
2.	Msg Hdr	UNH+38+SANCRT:D:97B:UN:RF0801
3.	Msg Id	BGM+D::AQ:9++16
4.	Loading Port	LOC+9+MEL
5.	Discharge Port	LOC+12+USLGB
6.	Destination City	LOC+8+ROCHELLE
7.	Destination Country	LOC+36+US
8.	Prod Source Country	LOC+30+AU
9.	Cert Required Loc	LOC+91+MEL
10.	Print Region	LOC+48+MEL
11.	Exporter Reference	RFF+ABE:REF370234
12.	Notify Party	FTX+AAG+++NEDDY SEAGOON
13.	AMLC Quota Year	FTX+ABW+++2017-18
14.	FOB Currency Unit	MOA+63::US
15.	Cert Print Ind	GIS+M::AQ:PHC
16.	AMLC Quota Indicator	GIS+N::AQ:QI
17.	Customs Agent Ind	GIS+Y::AQ:ACS
18.	Decl Estimate Ind	GIS+N::AQ:DCT
19.	Decl of Compliance	GIS+Y::AQ:DOC
20.	Imported Product Flag	GIS+N::AQ:IPF
21.	Owner Exporter	PNA+EX+99999
22.	Consignee Name	PNA+CN+++++10:ECCLES INDUSTRIES
23.	Consignee Address	ADR++5:62 WEST WALLABY STREET+DAPTO+4444+US+:::IOWA
24.	Consignee TRACES ID	FTX+ZZZ+4+TRACESCONSIGNEEID:160:AQ+12AB34CD+
25.	Transport Details	TDT+12+190+1+++++:::ECCLES THE BRAVE
26.	Departure Date	DTM+136:20040421:102
27.	Inspection Process	PRC+IN:PP:AQ
28.	RFP Auth Estab Nbr	PNA+FO+99
29.	Line	LIN+01
30.	Net Quantity	MEA+AAA+SQ+KGM:80000
31.	Gross Metric Weight	MEA+AAI+AAE+KGM:81400
32.	% of Milk Protein	MEA+MP++P1:5
33.	% of Milk Fat	MEA+MF++P1:2
34.	Wt of Milk Protein	MEA+MP+AAL+KGM:4000
35.	Wt of Milk Fat	MEA+MF+AAL+KGM:1600
36.	Product Code	PIA+5+UCASBG:CC
37.	Cut Code	PIA+5+DC0315:BP
38.	EAN Code	PIA+1+EAN1234567890:CC
39.	AHECC Code	PIA+5+35011020:HS
40.	User Defined Desc	IMD+++UHC:::DRIED MILK POWDER
41.	Product Source State	LOC+ZZZ+VICTORIA
42.	FOB Amount	MOA+63:419329.00
43.	Outer Pack Details	PAC+4000+3+BG::AQ
44.	Pack Measurement	MEA+AAU+AAL:3+KGM:25
45.	Message Trailer	UNT+39+38
46.	Interchange Trailer	UNZ+1+44

Acknowledge RFP Advice

1.	Int Hdr	UNB+UNOB:2+8+7+990907:1500+55++EXDOC
2.	Msg Hdr	UNH+55+SANCRT:D:97B:UN:RF0801
3.	Msg Id	BGM+D::AQ:9+3300099+11+AP
4.	Status Timestamp	DTM+9:20040325134834:204
5.	Lodge Timestamp	DTM+137:20040325134834:204
6.	Amend Timestamp	DTM+7:20040325134834:204

7. Compliance Status	STS+COM::AQ++COM::AQ:ORDR
8. Transfer Status	STS+TRN::AQ++N::AQ
9. Exporter Reference	RFF+ABE:REF370234
10. Export Clearance Nbr	RFF+AAE:ABCDEFGH7
11. RFP Notice	FTX+AAO+++L00 C0000 THE GOODS COVERED BY THE DOCUMENT ARE AUTHORISED FOR EXPORT :AND MAY BE DEALT WITH. FTX+AAO+++L00 I0604 EDN Number ABCDEFGH7 was received from Customs. FTX+AAO+++L00 I0709 An E-cert certificate will be generated for this destination.: Accuracy of data must be verified prior to certificate printing
12. Owner Exporter Nbr	PNA+EX+99999
13. Message Trailer	UNT+14+55
14. Interchange Trailer	UNZ+1+55

Lodge RFP

1. UNA Service String	UNA:+.?
2. Interchange Hdr	UNB+UNOB:2+8+7+040213:1238+111++EXDOC+++EXL+1
3. Message Header	UNH+222+SANCRT:D:97B:UN:RF0801
4. Message Id	BGM+D::AQ:9++13
5. Loading Port	LOC+9+MEL
6. Discharge Port	LOC+12+USLGB
7. Destination City	LOC+8+ROCHELLE
8. Destination Country	LOC+36+US
9. Prod Source Country	LOC+30+AU
10. Cert Required Location	LOC+91+MEL
11. Print Region	LOC+48+MEL
12. Exporter Reference	RFF+ABE:EIS-DAIRYLODGE
13. Export Clearance Nbr	RFF+AAE:E12345678
14. Exporter Declaration	FTX+DCL+++THIS PRODUCT WAS PRODUCED AND PROCESSED IN AUSTRALIA.
15. Notify Party	FTX+AAG+++NEDDY SEAGOON:EAST FINCHLEY
16. AMLC Quota Year	FTX+ABW+++2017-18
17. FOB Currency Unit	MOA+63::US
18. HC Print Indicator	GIS+M::AQ:PHC
19. Customs Agent Ind	GIS+N::AQ:ACS
20. Decl of Compliance	GIS+Y::AQ:DOC
21. Imported Product Flag	GIS+N::AQ:IPF
22. Owner Exporter Nbr	PNA+EX+99999
23. Consignee Name	PNA+CN+++++10:WALLACE THE IMPORTER
24. Consignee Address	ADR++5:62 WEST WALLABY ST+WASHINGTON+654321+US+::DC
25. Consignee TRACES ID	FTX+ZZZ+4+TRACESCONSIGNEEID:160:AQ+12AB34CD+
26. Transport Details	TDT+12+191+1++::BLUEBOTTLE INDUSTRIES+++::MV GROMIT
27. Departure Date	DTM+136:20040223:102
28. Inspection Process	PRC+IN:PP:AQ
29. RFP Auth Estab Nbr	PNA+FO+604
30. RFP Auth Officer	PNA+AV+QADINS
31. Line	LIN+1
32. Net Quantity	MEA+AAA+SQ+KGM:2080
33. Imperial Net Weight	MEA+AAI+AAE+KGM:2116
34. Product Code	PIA+5+FMILCT:CC
35. Cut Code	PIA+5+DC0001:BP
36. AHECC Code	PIA+5+04011000:HS
37. Durability Start Date	DTM+194:20040213:102
38. Durability End Date	DTM+206:20050212:102
39. FOB Amount	MOA+63:10855.00
40. Outer Package Details	PAC+104+3+BG::AQ
41. Package Measurement	MEA+AAU+AAL+KGM:20
42. Container	EQD+CN+FESU1234567

43. Container Seal	SEL+000001
44. Processing Details	PRC+PC:PP:AQ
45. Processing Start Date	DTM+194:20040124:102
46. Processing End Date	DTM+206:20040124:102
47. Processing Estab Nbr	PNA+MP+604
48. Message Trailer	UNT+42+222
49. Interchange Trailer	UNZ+1+111

Acknowledge RFP Advice

1. UNA Service String	UNA:+.?
2. Int Hdr	UNB+UNOB:2+8+7+040213:1239+14561++EXDOC+++++1
3. Msg Hdr	UNH+14563+SANCRT:D:97B:UN:RF0801
4. Msg Id	BGM+D::AQ:9+987654+11+AP
5. Status Timestamp	DTM+9:20040213123942:204
6. Lodge Timestamp	DTM+137:20040213123942:204
7. Amend Timestamp	DTM+7:20040213123942:204
8. Compliance Status	STS+COM::AQ++COM::AQ:HCRD
9. Transfer Status	STS+TRN::AQ++N::AQ
10. Exporter Reference	RFF+ABE:EIS-DAIRYLODGE
11. Export Permit Nbr	RFF+EP:PID6304
12. Export Clearance Nbr	RFF+AAE:E12345678
13. Notice	FTX+AAO+++L01 I0040 HC Template / HC Endorsement has been defaulted to?: ZD035 /4:90 FTX+AAO+++L01 I0709 An E-cert certificate will be generated for this destination:. Accuracy of data must be verified prior to certificate printing
14. Owner Exporter Nbr	PNA+EX+99999
15. Line	LIN+1
16. Generated Descr	IMD+++GHC1:::FROZEN FRESH MILK (<1%FAT) CARTONS :104 X 20 KGM BAGS
17. Assigned Primary Cert	DOC+852:::ZD035/490+:1
18. Message Trailer	UNT+17+14563
19. Interchange Trailer	UNZ+1+14561

Sample Fish Messages

Lodge RFP

1. Interchange Header	UNB+UNOB:2+8+7+990608:0922+3++EXDOC
2. Message Header	UNH+6+SANCRT:D:97B:UN:RF0801
3. Message Ident	BGM+F::AQ:9++13
4. Loading Port	LOC+9+SYD
5. Discharge Port	LOC+12+USWAS
6. Destination City	LOC+8+WASHINGTON
7. Destination Country	LOC+36+US
8. Prod Source Country	LOC+30+AU
9. Transit Country	LOC+49+MX
10. Cert. Req. Location	LOC+91+CBR
11. Print Region	LOC+48+CBR
12. Exporter Reference	RFF+ABE:GJR001
13. Transhipment Temp	MEA+TE+ADE+CEL::-6.5:-1.25
14. Certificate Print Ind	GIS+M::AQ:PHC
15. Sep Cert Cont Ind	GIS+N::AQ:SC
16. Sep Cert Marks Ind	GIS+N::AQ:SM
17. Sep Cert Packer Ind	GIS+N::AQ:SP
18. Ship Stores Ind	GIS+N::AQ:SST
19. Customs Agent Ind	GIS+N::AQ:ACS
20. Imported Product Flag	GIS+N::AQ:IPF
21. Import Permit Nbr	DOC+911+ABC123

22. Import Permit Date	DTM+137:20040315:102
23. Owner Exporter Nbr	PNA+EX+99999
24. Consignee Name	PNA+CN+++++10:CONSIGNEE JOE
25. Consignee Address	ADR++5:1600 PENSYLLVANIA AVE+WASHINGTON++US
26. Consignee TRACES ID	FTX+ZZZ+4+TRACESCONSIGNEEID:160:AQ+12AB34CD+
27. Transport Details	TDT+12+68+1++:::BLUEBOTTLE INDUSTRIES+++:::TITANIC
28. Departure Date	DTM+136:20040420:102
29. Inspection Process	PRC+IN:PP:AQ
30. Insp Requested Date	DTM+318:20040410:102
31. Inspect Estab Nbr	PNA+FO+80
32. Line Identifier	LIN+1
33. Line Net Quantity	MEA+AAA+SQ+TNE:100
34. Line Imp Net Weight	MEA+AAI+AAL+LTN:100
35. Line Met Gr Weight	MEA+AAI+AAE+TNE:120
36. Product Code	PIA+5+CABABP:CC
37. Cut Type	PIA+5+FC0001:BP
38. Exporter's Prod Desc	IMD+++UHC:::CHILLED COD BRAIN
39. Final Consumer	ATT+10++Y:FCI:AQ
40. Fish Water Indicator	ATT+10++F:FWI:AQ
41. Prod Country of Origin	LOC+27+AU
42. Durability Start Date	DTM+194:20040120:102
43. Durability End Date	DTM+206:20040122:102
44. Packaging Details	PAC+1+3+CT:::AQ
45. Shipping Marks	PCI++MARKS1
46. Harvest Area Process	PRC+HA:PP:AQ
47. Harvest Start Date	DTM+194:20031129:102
48. Harvest End Date	DTM+206:20031201:102
49. Depuration Date	DTM+9:20031202:102
50. Harvest Area/Lease	LOC+48+MYALL LAKES+123B
51. Depuration Plant	PNA+SK+80
52. Production Process	PRC+PC:PP:AQ
53. Process Start Date	DTM+194:20031222:102
54. Process End Date	DTM+206:20031222:102
55. Processing Estab Nbr	PNA+MP+80
56. Production Process	PRC+FV:PP:AQ
57. Process Start Date	DTM+194:20031222:102
58. Process End Date	DTM+206:20031222:102
59. Processing Estab Nbr	PNA+MP++REGID123
60. Process Estab Addr	ADR++STREET1:STREET2+CITY+2066+AU+:::ACT
61. Process Estab Contact	CTA+ZZZ
62. Process Estab Phone	COM+12345657891:TE
63. Production Process	PRC+TV:PP:AQ
64. Process Start Date	DTM+194:20031222:102
65. Process End Date	DTM+206:20031222:102
66. Processing Estab Nbr	PNA+MP++REGID
67. Process Estab Adr	ADR++STREET1:STREET2+CITY+2066+AU+:::ACT
68. Process Estab Contact	CTA+ZZZ
69. Process Estab Phone	COM+12345657891:TE
70. Production Process	PRC+IR:PP:AQ
71. Process Start Date	DTM+194:20031222:102
72. Process End Date	DTM+206:20031222:102
73. Processing Estab Nbr	PNA+MP+81
74. Message Trailer	UNT+50+6
75. Interchange Trailer	UNZ+1+3

RFP Acknowledgment

1. Interchange Header	UNB+UNOB:2+8+7+990608:0924+5++EXDOC
2. Message Header	UNH+7+SANCRT:D:97B:UN:RF0801

3. Message Ident	BGM+F::AQ:9+12332+11+AP
4. Status Timestamp	DTM+9:20040313123942:204
5. Lodge Timestamp	DTM+137:20040313123942:204
6. Amend Timestamp	DTM+7:20040313123942:204
7. Compliance Status	STS+COM::AQ++COM::AQ:FINL
8. Transfer Status	STS+TRN::AQ++N::AQ
9. Exporter Reference	RFF+ABE:GJR010
10. Notices	FTX+AAO+++L01 I0040 HC Template / HC Endorsement has been defaulted to?: FX46
11. Owner Exporter Nbr	PNA+EX+99999
12. Line Identifier	LIN+1
13. Assigned Primary Cert	DOC+852::FX46+1
14. Message Trailer	UNT+13+7
15. Interchange Trailer	UNZ+1+5

Delete RFP

1. Interchange Header	UNB+UNOB:2+8+7+980420:1330+1000080++EXDOC
2. Message Header	UNH+999666777+SANCRT:D:97B:UN:RF0801
3. Message Ident	BGM+F::AQ:9+12332+1
4. Exporter Reference	RFF+ABE: GJR010
5. Owner Exporter	PNA+EX+99999
6. Message Trailer	UNT+5+999666777
7. Interchange Trailer	UNZ+1+1000080

Sample Grains Messages

Lodge RFP

This lodgement contains the following features:

- Product Condition
- Product Part
- Treatment information for the line

1. Interchange Header	UNB+UNOB:2+8+7+990608:0922+3++EXDOC
2. Message Header	UNH+6+SANCRT:D:97B:UN:RF0801
3. Message Ident	BGM+G::AQ:9++13
4. Loading Port	LOC+9+SYD
5. Discharge Port	LOC+12+NZWLG
6. Destination City	LOC+8+WELLINGTON
7. Destination Country	LOC+36+NZ
8. Prod Source Country	LOC+30+AU
9. Cert. Req. Location	LOC+91+BNE
10. Print Region	LOC+48+BNE
11. Exporter Reference	RFF+ABE:GJR999
12. FOB Currency Unit	MOA+63::AUD
13. Certificate Print Ind	GIS+A::AQ:PHC
14. Customs Agent Ind	GIS+Y::AQ:ACS
15. Decl Estimate Ind	GIS+C::AQ:DCT
16. Decl of Compliance	GIS+Y::AQ:DOC
17. Owner Exporter Nbr	PNA+EX+99999
18. Consignee Name	PNA+CN+++++10:CONSIGNEE JOE
19. Consignee Address	ADR++5:1600 PENSYLLVANIA AVE+WASHINGTON++US
20. Transport Details	TDT+12+68+1+++::BLUEBOTTLE INDUSTRIES+++::ECCLES THE BOAT
21. Departure Date	DTM+136:20040412:102
22. Inspection Process	PRC+IN:PP:AQ

23. Inspect Estab Nbr	PNA+FO+604
24. Line Identifier	LIN+1
25. Line Net Quantity	MEA+AAA+SQ+TNE:100
26. Line Met Gr Weight	MEA+AAI+AAE+TNE:120
27. Product Code	PIA+5+XSTPBG :CC
28. AHECC Code	PIA+5+23099065:HS
29. Product Condition	IMD++203+CND:::9
30. Product Part	IMD+++PVP:::19
31. FOB Amount	MOA+63:1000
32. Packaging Details	PAC+0+3+VR::AQ
33. Shipping Marks	PCI++MARKS1
34. Treatment	PRC+TR:PP:AQ
35. Treatment Information	IMD++25+FUMIG:::WITH METHYL BROMIDE AT 32GRM/M3 AT :21 DEGREES CELSIUS FOR 24 HOURS
36. Treatment Active Ingr	IMD+++TAI:::52
37. Treatment Concentr	MEA+CH++A93:32
38. Treatment Duration	MEA+ABV+TN+HUR:24
39. Treatment Temp	MEA+TE+TC+CEL:21
40. Treatment Date	DTM+194:20040315:102
41. Message Trailer	UNT+37+6
42. Interchange Trailer	UNZ+1+3

Lodge RFP

The following lodgement contains the following features:

- Additional description for the line,
- Additional declaration for the line, and
- Bulk Packaging Details for the line

1. Interchange Header	UNB+UNOB:2+8+7+990608:0922+3++EXDOC
2. Message Header	UNH+6+SANCRT:D:97B:UN:RF0801
3. Message Ident	BGM+G::AQ:9++13
4. Loading Port	LOC+9+SYD
5. Discharge Port	LOC+12+NZWLG
6. Destination City	LOC+8+WELLINGTON
7. Destination Country	LOC+36+NZ
8. Prod Source Country	LOC+30+AU
9. Cert. Req. Location	LOC+91+BNE
10. Print Region	LOC+48+BNE
11. Exporter Reference	RFF+ABE:GJR999
12. FOB Currency Unit	MOA+63::AUD
13. Certificate Print Ind	GIS+A::AQ:PHC
14. Customs Agent Ind	GIS+Y::AQ:ACS
15. Decl Estimate Ind	GIS+C::AQ:DCT
16. Owner Exporter Nbr	PNA+EX+99999
17. Consignee Name	PNA+CN+++++10:CONSIGNEE JOE
18. Consignee Address	ADR++5:1600 PENSYLLVANIA AVE+WASHINGTON++US
19. Transport Details	TDT+12+68+1++:::BLUEBOTTLE INDUSTRIES+++:::ECCLES THE BOAT
20. Departure Date	DTM+136:200404121:102
21. Inspection Process	PRC+IN:PP:AQ
22. Inspect Estab Nbr	PNA+FO+604
23. Line Identifier	LIN+1
24. Line Net Quantity	MEA+AAA+SQ+TNE:100
25. Line Met Gr Weight	MEA+AAI+AAE+TNE:120
26. Product Code	PIA+5+XWHTVRGC:CC
27. AHECC Code	PIA+5+02012020:HS
28. Additional Prod Desc	IMD+++AD:::MALTING BARLEY

29. Additional Declaration	FTX+AAZ+++THE GRAIN IS FROM A CROP THAT HAS BEEN INSPECTED DURING THE GROWING:SEASON ACCORDING TO APPROPRIATE PROCEDURES AND NO TILLETIA CONTRAVERSA:WAS DETECTED.
30. FOB Amount	MOA+63:1000
31. Packaging Details	PAC++3+VR::AQ
32. Shipping Marks	PCI++MARKS1
33. Message Trailer	UNT+36+6
34. Interchange Trailer	UNZ+1+3

Sample Wool Messages

Lodge RFP

1. Interchange Header	UNB+UNOB:2+8+7+010822:1145+369++EXDOC+++EXL
2. Message Header	UNH+222+SANCRT:D:97B:UN:CR0801
3. Message Identifier	BGM+W::AQ++13
4. Message Ident	BGM+W::AQ:9++13
5. Loading Port	LOC+9+ADL
6. Discharge Port	LOC+12+NZAKA
7. Destination City	LOC+8+AUCKLAND
8. Destination Country	LOC+36+NZ
9. Prod Source Country	LOC+30+AU
10. Cert Req Location	LOC+91+MEL
11. Print Region	LOC+48+MEL
12. Exporter Reference	RFF+ABE:REFW123
13. Letter of Credit info	FTX+AAW+++ATTN – MR BANKER, BANK OF NEW ZEALAND
14. Cert Print Ind	GIS+M::AQ:PHC
15. Ship Stores	GIS+N::AQ:SST
16. Customs Agent Ind	GIS+N::AQ:ACS
17. Exporter Number	PNA+EX+99999
18. Consignee Name	PNA+CN+++++10:WOOL IMPORTS
19. Consignee Address	ADR++5:ROOM 123 RAFFLES HOTEL+AUCKLAND+555+NZ+::NEARCHANGI
20. Consignee TRACES ID	FTX+ZZZ+4+TRACESCONSIGNEEID:160:AQ+12AB34CD+
21. Consignee Rep Name	CTA+AG+:AKIRA KURUSAWA
22. Transport Details	TDT+12+123+1++::GOLDEN FLEECE SHIPPING+++::MV ARGO
23. Departure Date	DTM+136:20040406:102
24. Line item	LIN+1
25. Net Quantity	MEA+AAA+SQ+KGM:1
26. Metric Gross Wt	MEA+AAI+AAE+KGM:1
27. Product Code	PIA+5+UOW BA:CC
28. Cut type	PIA+5+W00400:BP
29. AHECC	PIA+5+51011110:HS
30. Packaging details	PAC+1+3+CT::AQ
31. Shipping marks	PCI++MARKS1
32. Package measurement	MEA+AAU+AAL:4+KGM:1
33. Container Number	EQD+CN+ABCD1234567
34. Container Seal	SEL+JH12345
35. Message Trailer	UNT+31+222
36. Interchange Trailer	UNZ+1+369

RFP Acknowledgment

1. Interchange Header	UNB+UNOB:2+8+7+040329:0912+16457++EXDOC+++++1
2. Message Header	UNH+16459+SANCRT:D:97B:UN:RF0801
3. Message Ident	BGM+W::AQ:9+21196+11+AP
4. Status Timestamp	DTM+9:20040329091204:204
5. Lodge Timestamp	DTM+137:20040329091203:204
6. Amend Timestamp	DTM+7:20040329091204:204

7. Compliance Status	STS+COM::AQ++COM::AQ:HCRD
8. Transfer Status	STS+TRN::AQ++N::AQ
9. Exporter Reference	RFF+ABE:REFW123
10. Export Permit Nbr	RFF+EP:PIW8445
11. Notices	FTX+AAO+++L01 I0040 HC Template / HC Endorsement has been defaulted to?: Z450
12. Owner Exporter Nbr	PNA+EX+99999
13. Line Identifier	LIN+1
14. Product Code	IMD+++GHC1:::RAW WOOL 1 X 1 KGM CARTONS
15. Assigned Primary Cert	DOC+852:::Z450+:1
16. Message Trailer	UNT+15+16459
17. Interchange Trailer	UNZ+1+16457

Sample Certificate Request Messages

1. Interchange Header	UNB+UNOB:2+8+7+010822:1145+369++EXDOC+++EXL
2. Message Header	UNH+727+SANCRT:D:97B:UN:CR0801
3. Message Identifier	BGM+G::AQ++9
4. Discharge Port	LOC+12+USIFR
5. Destination City	LOC+8+RANIER
6. Cert Req Location	LOC+91+CBR
7. Exporter Reference	RFF+ABE:CERT REQ TEST 003
8. Import Permit Nbr	DOC+911+PermitNbr
9. Import Permit Date	DTM+137:200402010:102
10. Owner Exporter Nbr	PNA+EX+99999
11. Consignee Name	PNA+CN+++++10:GROMIT THE DOG
12. Consignee Address	ADR++5:62 WEST WALLABY STREET+WASHINGTON++US+:::DC
13. Consignee TRACES ID	FTX+ZZZ+4+TRACESCONSIGNEEID:160:AQ+12AB34CD+
14. Transport Details	TDT+12+864+1+++++:::COMMANDER
15. Cert Line Identifier	LIN+1
16. Net Quantity	MEA+AAA+SQ+TNE:2
17. Product Code	PIA+5+XWHTVRGC:CC
18. Packaging Details	PAC+0+3+VR::AQ
19. RFP Number	RFF+DM:3113473
20. RFP Line Identifier	LIN+1+++1
21. Line Net Quantity	MEA+AAA+SQ+TNE:1
22. RFP Line Packaging	PAC+0+3+VR::AQ
23. RFP Number	RFF+DM:3113474
24. RFP Line Identifier	LIN+1+++1
25. Line Net Quantity	MEA+AAA+SQ+TNE:1
26. RFP Line Packaging	PAC+0+3+VR::AQ
27. Cert Line Identifier	LIN+2
28. Line Net Quantity	MEA+AAA+SQ+TNE:4
29. Product Code	PIA+5+XWHTVRGC:CC
30. Packaging Details	PAC+0+3+VR::AQ
31. RFP Number	RFF+DM:3113473
32. RFP Line Identifier	LIN+1+++1
33. Line Net Quantity	MEA+AAA+SQ+TNE:2
34. RFP Line Packaging	PAC+0+3+VR::AQ
35. RFP Number	RFF+DM:3113474
36. RFP Line Identifier	LIN+1+++1
37. Line Net Quantity	MEA+AAA+SQ+TNE:2
38. RFP Line Packaging	PAC+0+3+VR::AQ
39. Message Trailer	UNT+37+727
40. Interchange Trailer	UNZ+1+369

Certificate Acknowledgment

1. Interchange Header	UNB+UNOB:2+8+7+010822:1145+3360++EXDOC
2. Message Header	UNH+4356+SANCRT:D:97B:UN:CR0801

3.	Message Identifier	BGM+G::AQ:9+62943261+98+AP
4.	Status Timestamp	DTM+9:20010822114448:204
5.	Requested Timestamp	DTM+137:20010822114448:204
6.	Cert Request Status	STS+CRS::AQ++CRS::AQ:A
7.	Exporter Reference	RFF+ABE:CERT REQ TEST 003
8.	Notice	FTX+AAO+++L00 I0084 Health Certificate is ready to be picked up.
9.	Owner Exporter Nbr	PNA+EX+99999
10.	Cert Line Identifier	LIN+1
11.	Product Code	PIA+5+XWHTVRGC:CC
12.	Generated Prod Desc	IMD+++GHC1:::WHEAT
13.	Assigned Primary Cert	DOC+852:::E16+1324530:1
14.	Cert Line Identifier	LIN+2
15.	Product Code	PIA+5+XWHTVRGC:CC
16.	Generated Prod Desc	IMD+++GHC1:::WHEAT
17.	Assigned Primary Cert	DOC+852:::E16+1324530:1
18.	Message Trailer	UNT+17+4356
19.	Interchange Trailer	UNZ+1+3360